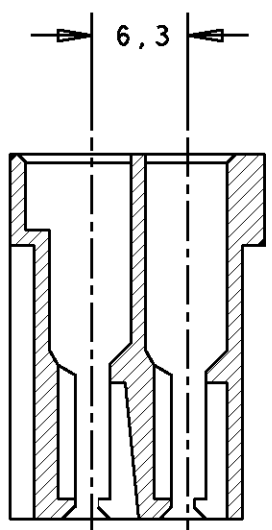
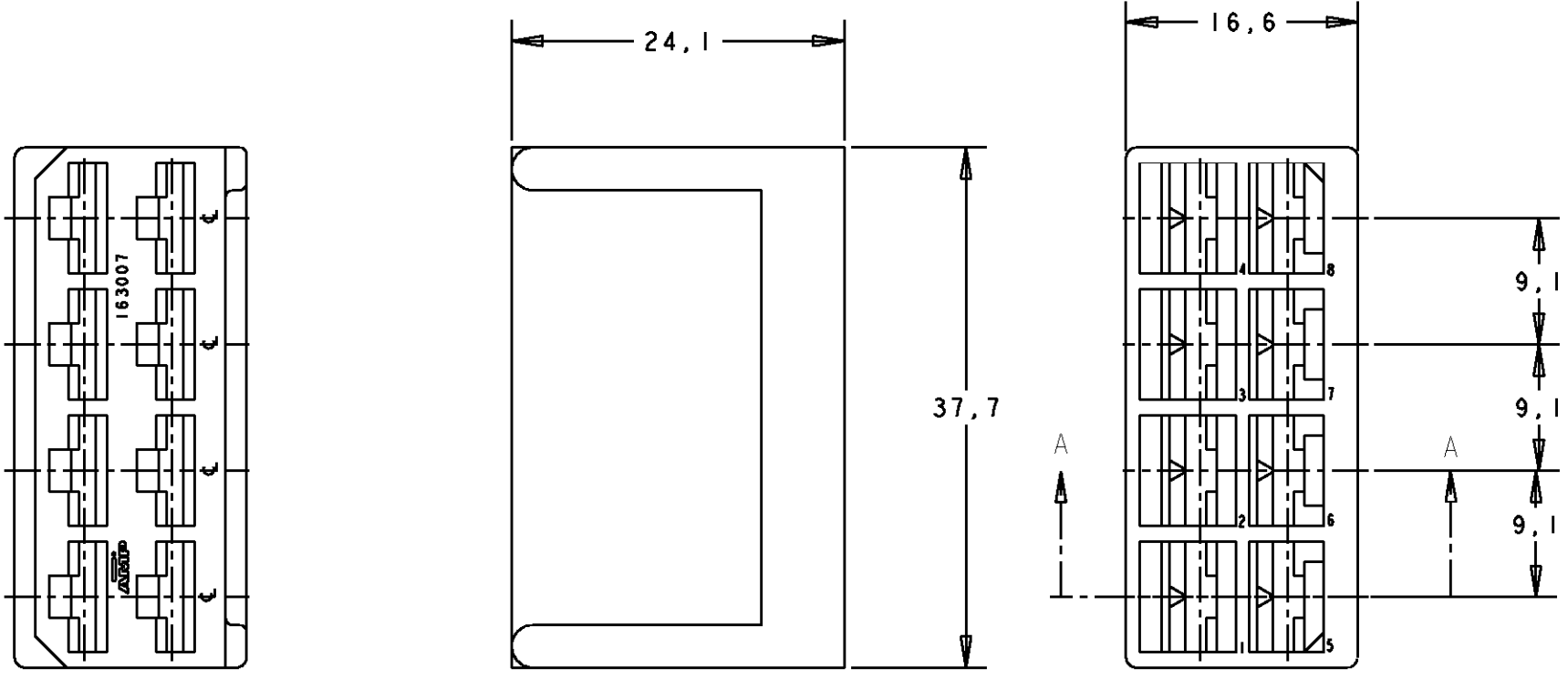


THIS DRAWING IS UNPUBLISHED. RELEASED FOR PUBLICATION  
 © COPYRIGHT - BY ALL RIGHTS RESERVED.

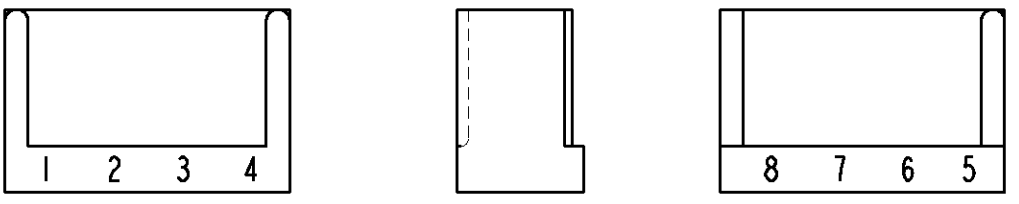
LOC	DIST	REVISIONS			
P	LTR	DESCRIPTION	DATE	DWN	APVD
H	-	D1 REVISED PER ECO-11-005294	28APR11	RK	HMR

DIMENSIONS IN mm



SECTION A-A

THESE VIEWS SHOW THE EXTRA NUMBERING FOR: 1-163007-0



ORDER NO.	COLOUR	MATERIAL
1-163007-0	CLEAR	NYLON ZYTEL 101
163007-9	ORANGE	NYLON ZYTEL 101
163007-8	VIOLET	NYLON ZYTEL 101
163007-7	GREY	NYLON ZYTEL 101
163007-6	BROWN	NYLON ZYTEL 101
163007-5	BLACK	NYLON ZYTEL 101
163007-4	YELLOW	NYLON ZYTEL 101
163007-3	BLUE	NYLON ZYTEL 101
163007-2	GREEN	NYLON ZYTEL 101
163007-1	RED	NYLON ZYTEL 101
163007-0	CLEAR	NYLON ZYTEL 101

DIMENSIONS: mm 	TOLERANCES UNLESS OTHERWISE SPECIFIED: 0 PLC ± - 1 PLC ± - 2 PLC ± - 3 PLC ± - 4 PLC ± - ANGLES ± - MATERIAL FINISH -	DWN RvHEUVEN 14AUG07 CHK MvDRIEL 14AUG07 APVD MvDRIEL 14AUG07 PRODUCT SPEC - APPLICATION SPEC - WEIGHT -			
		CUSTOMER DRAWING	NAME 8 WAY FAST-IN-ON RECEPT. HOUSING SIZE A3 CAGE CODE 00779 DRAWING NO C-163007 SCALE NTS SHEET 1 OF 1 REV D1		