

5

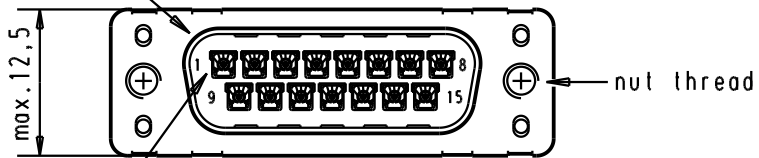
4

3

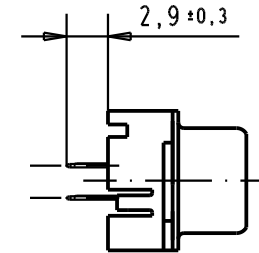
2

1

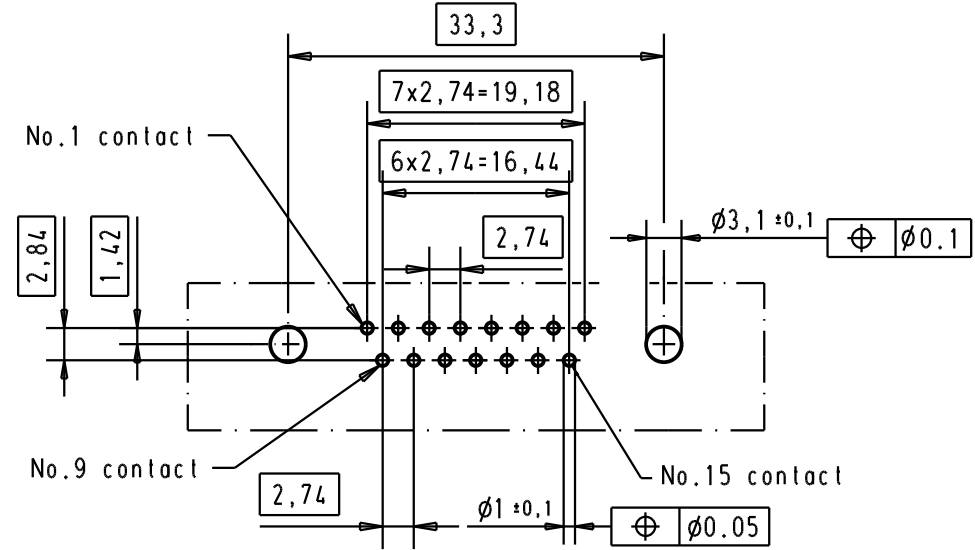
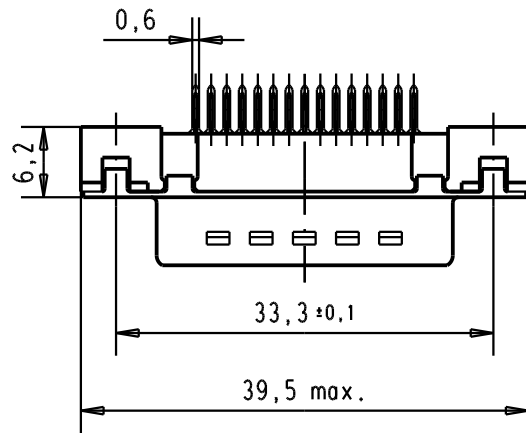
Mating face according to : MIL-C-24308 / DIN 41652 / CECC 75301-802



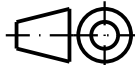

No.1 contact



Printed board layout component side



A

09 65 229 3701	M3	1								 All Dim. in mm Orig. Size DIN A 4	D-Sub, High temperature, 15 poles, male, straight, with solder pins 2,9 and nuts.	Maßstab/ Scale 1,5:1
09 65 229 6701	M3	2				Detail.	05/03/02	CV				
09 65 229 7701	M3	3				Insp.						
09 65 229 3702	4-40 UNC	1				Stand.						
09 65 229 6702	4-40 UNC	2	31892	22/04/04	JH	HARTING EURL F-95972 Paris				TB 09 65 229 X70X	Blatt/ Page 2	
09 65 229 7702	4-40 UNC	3	29723	05/03/02	CV							
Part number	Nut thread	Performance level	Mod.	Dat.	Name				Sub.			