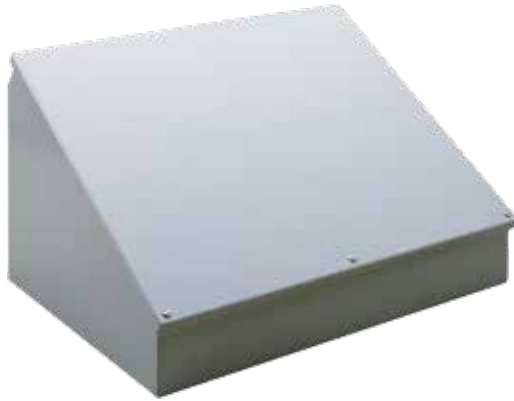


MILD STEEL CONSOLETS



INDUSTRY STANDARDS

UL 508A Listed; Type 12, 13; File No. E61997
 cUL Listed per CSA C22.2 No. 94; Type 12, 13; File No. E61997

NEMA/EEMAC Type 12, 13
 CSA File Number 42186: Type 12
 IEC 60529, IP65

APPLICATION

Consoles are ideal for mounting small control or instrumentation devices where the desirable access requires a 30- or 60-degree surface. These enclosures can be mounted on either of two sides for placement on desktops, pedestals or other flat surfaces.

SPECIFICATIONS

- 14 gauge steel
- Seams continuously welded and ground smooth; no holes or knockouts
- Captivated cover screws thread into sealed wells
- Bonding provision on cover
- Oil-resistant gasket and adhesive
- Control panel attached with continuous hinge along bottom edge

FINISH

ANSI 61 gray polyester powder paint inside and out over pretreated surfaces.

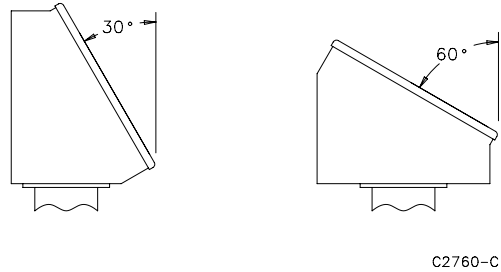
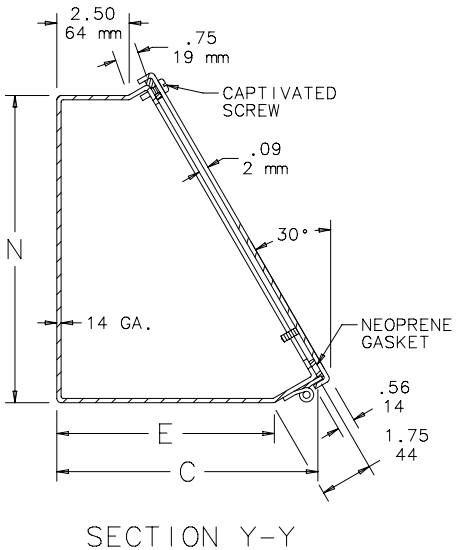
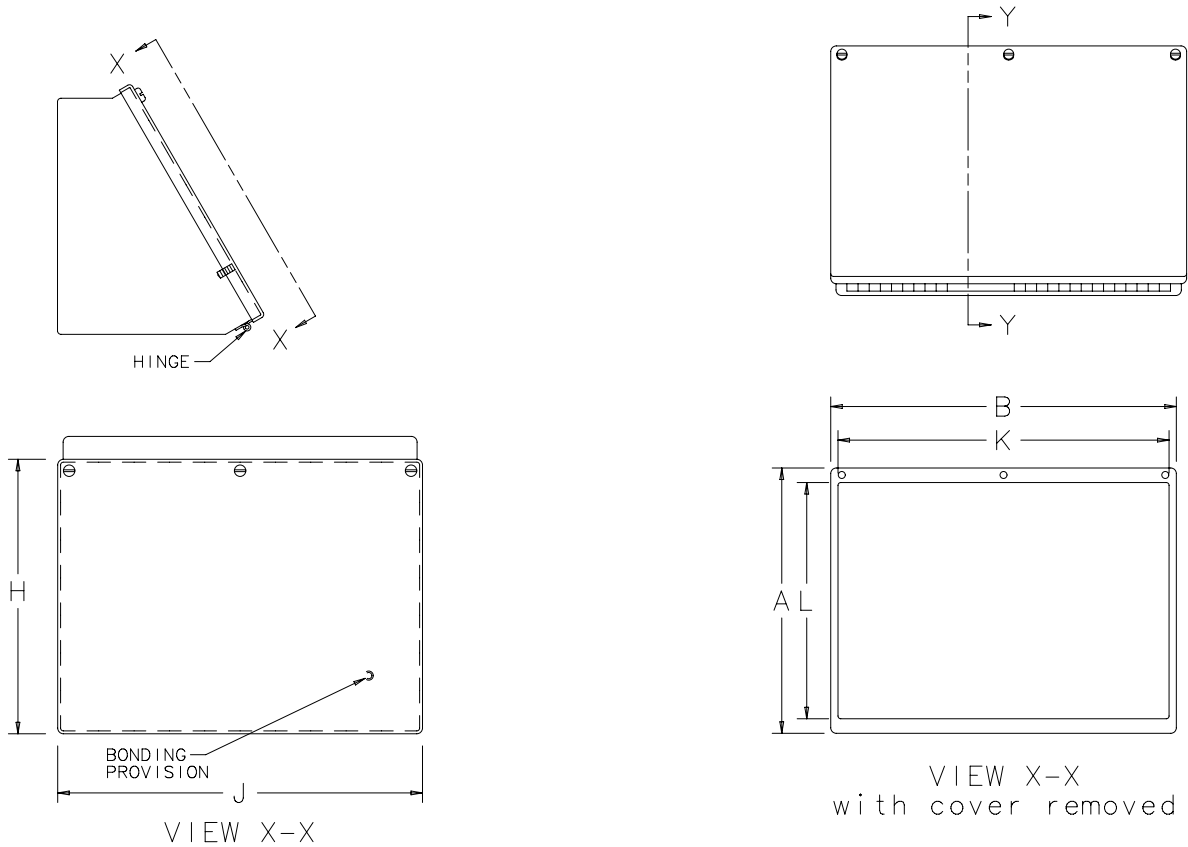
ACCESSORIES

See also *Accessories*.
 Industrial Corrosion Inhibitors
 Hole Seals
 Latch Kits for Type 4 and 12 Enclosures
 Mounting Bracket Kits
 Touch-Up Paint
 Steel and Stainless Steel Window Kits

BULLETIN: C5, P1

Standard Product Consoles

| Catalog Number | AxBxC in./mm | E in./mm | H in./mm | J in./mm | K in./mm | L in./mm | N in./mm |
|----------------|-----------------------|----------|----------|----------|----------|----------|----------|
| C8C8 | 8.00 x 8.00 x 7.09 | 5.62 | 8.28 | 8.28 | 7.50 | 6.62 | 7.44 |
| | 203 x 203 x 180 | 143 | 210 | 210 | 191 | 168 | 189 |
| C8C12 | 8.00 x 12.00 x 7.09 | 5.62 | 8.28 | 12.28 | 11.50 | 6.62 | 7.44 |
| | 203 x 305 x 180 | 143 | 210 | 312 | 292 | 168 | 189 |
| C8C16 | 8.00 x 16.00 x 7.09 | 5.62 | 8.28 | 16.28 | 15.50 | 6.62 | 7.44 |
| | 203 x 406 x 180 | 143 | 210 | 414 | 394 | 168 | 189 |
| C8C20 | 8.00 x 20.00 x 7.09 | 5.62 | 8.28 | 20.28 | 19.50 | 6.62 | 7.44 |
| | 203 x 508 x 180 | 143 | 210 | 515 | 495 | 168 | 189 |
| C12C12 | 12.00 x 12.00 x 9.09 | 7.62 | 12.28 | 12.28 | 11.50 | 10.62 | 10.91 |
| | 305 x 305 x 231 | 194 | 312 | 312 | 292 | 270 | 277 |
| C12C16 | 12.00 x 16.00 x 9.09 | 7.62 | 12.28 | 16.28 | 15.50 | 10.62 | 10.91 |
| | 305 x 406 x 231 | 194 | 312 | 414 | 394 | 270 | 277 |
| C12C20 | 12.00 x 20.00 x 9.09 | 7.62 | 12.28 | 20.28 | 19.50 | 10.62 | 10.91 |
| | 305 x 508 x 231 | 194 | 312 | 515 | 495 | 270 | 277 |
| C12C24 | 12.00 x 24.00 x 9.09 | 7.62 | 12.28 | 24.28 | 23.50 | 10.62 | 10.91 |
| | 305 x 610 x 231 | 194 | 312 | 617 | 597 | 270 | 277 |
| C16C16 | 16.00 x 16.00 x 11.09 | 9.62 | 16.28 | 16.28 | 15.50 | 14.62 | 14.38 |
| | 406 x 406 x 282 | 244 | 414 | 414 | 394 | 371 | 365 |
| C16C20 | 16.00 x 20.00 x 11.09 | 9.62 | 16.28 | 20.28 | 19.50 | 14.62 | 14.38 |
| | 406 x 508 x 282 | 244 | 414 | 515 | 495 | 371 | 365 |
| C16C24 | 16.00 x 24.00 x 11.09 | 9.62 | 16.28 | 24.28 | 23.50 | 14.62 | 14.38 |
| | 406 x 610 x 282 | 244 | 414 | 617 | 597 | 371 | 365 |
| C16C30 | 16.00 x 30.00 x 11.09 | 9.62 | 16.28 | 30.28 | 29.50 | 14.62 | 14.38 |
| | 406 x 762 x 282 | 244 | 414 | 769 | 749 | 371 | 365 |
| C16C36 | 16.00 x 36.00 x 11.09 | 9.62 | 16.28 | 36.28 | 35.50 | 14.62 | 14.38 |
| | 406 x 914 x 282 | 244 | 414 | 922 | 902 | 371 | 365 |
| C20C20 | 20.00 x 20.00 x 13.09 | 11.62 | 20.28 | 20.28 | 18.62 | 18.62 | 17.84 |
| | 508 x 508 x 332 | 295 | 515 | 515 | 473 | 473 | 453 |
| C20C24 | 20.00 x 24.00 x 13.09 | 11.62 | 20.28 | 24.28 | 22.62 | 18.62 | 17.84 |
| | 508 x 610 x 332 | 295 | 515 | 617 | 575 | 473 | 453 |
| C20C30 | 20.00 x 30.00 x 13.09 | 11.62 | 20.28 | 30.28 | 28.62 | 18.62 | 17.84 |
| | 508 x 762 x 332 | 295 | 515 | 769 | 727 | 473 | 453 |



Standard Product **Pedestal Columns and Bases for Consoles**

| Catalog Number | AxBxC in./mm | Description |
|----------------|--|--------------------------|
| A44CCOL | 35.00 x 4.00 x 4.00 889 x 102 x 102 | Straight Pedestal Column |
| A66CCOL | 35.00 x 6.00 x 6.00 889 x 152 x 152 | Straight Pedestal Column |
| A18SBASE | 18.00 x 18.00 457 x 457 | Pedestal Base |
| A24SBASE | 24.00 x 24.00 610 x 610 | Pedestal Base |