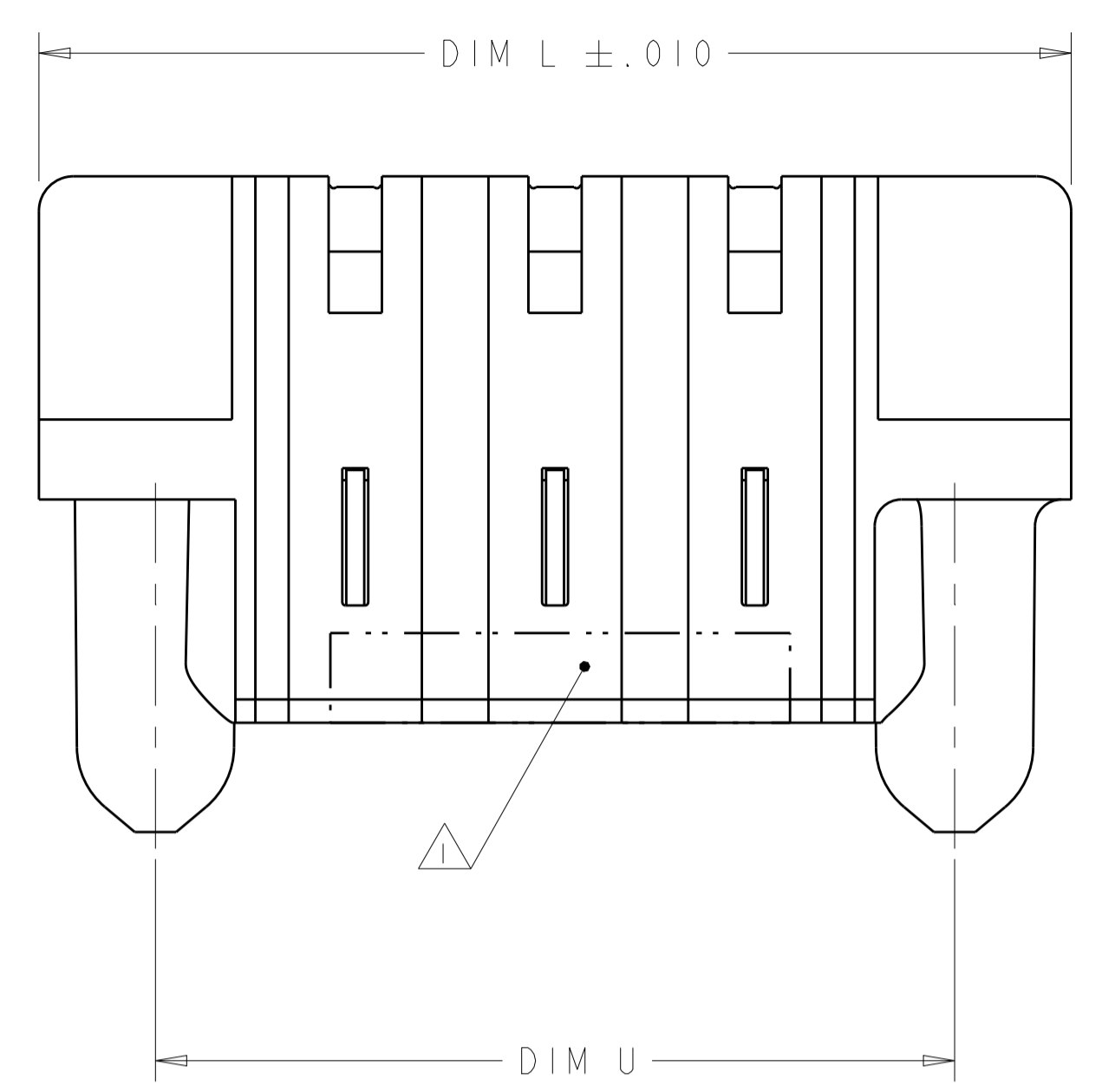
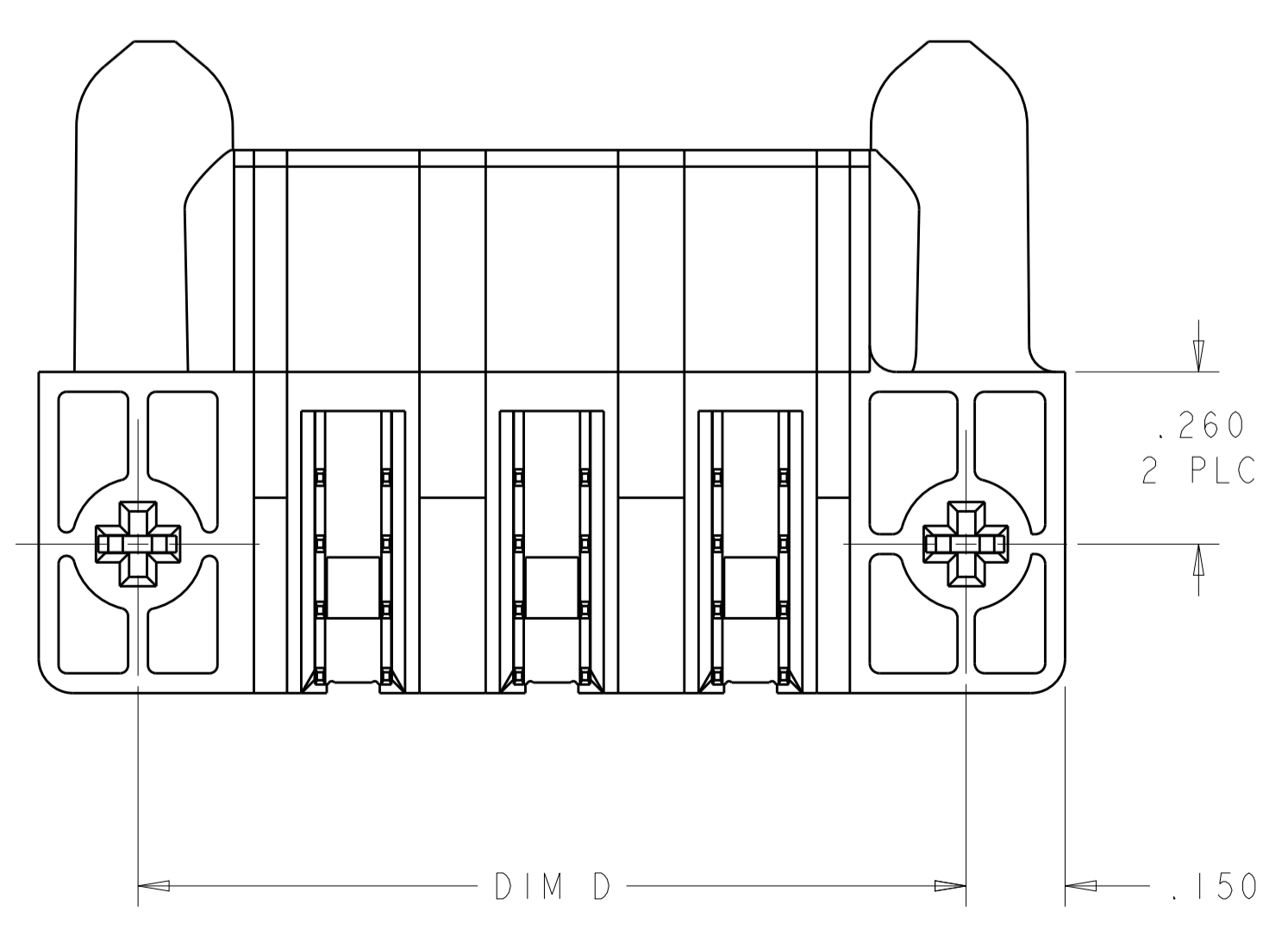
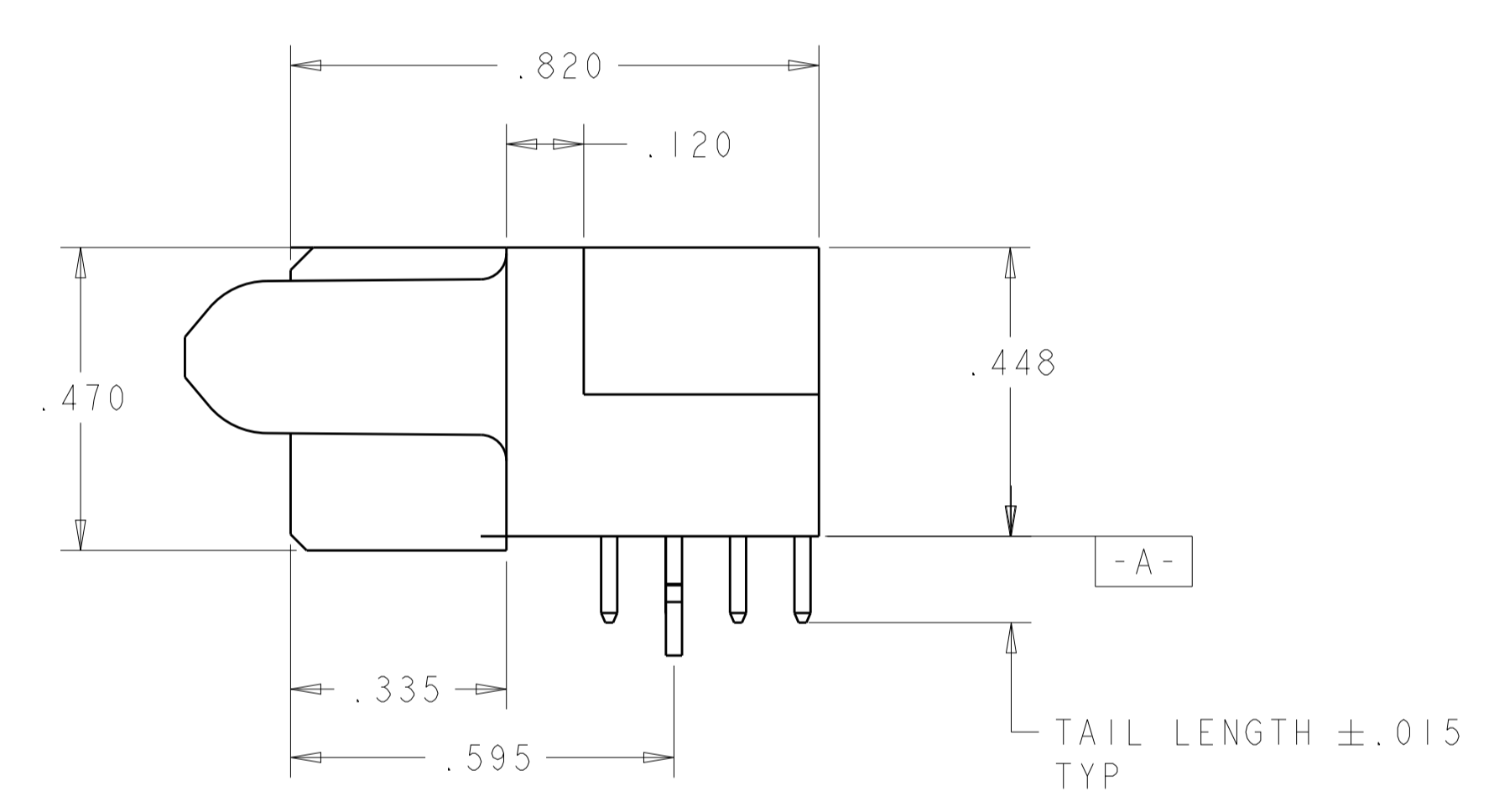
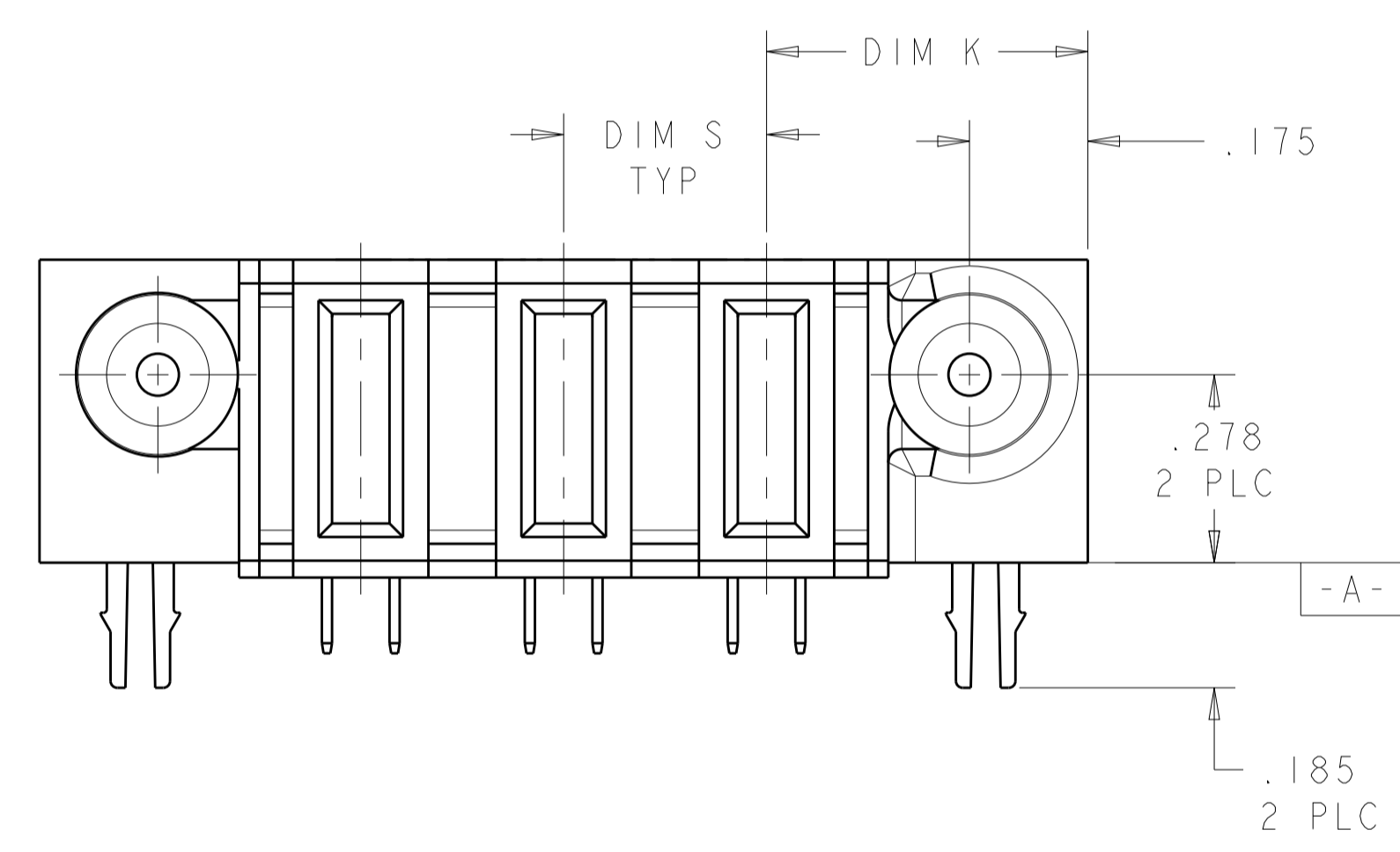


LOC		DIST		REVISIONS			
ES	00	P	LTN	DESCRIPTION	DATE	DWN	APVD
		A1		ADDED NEW DASH NUMBER -2	26JUL2010	SZ	SZ
		B		REV PER ECR-017476	23AUG2010	IL	SZ



- 1 "AMP", PART NUMBER, AND DATE CODE TO BE MARKED IN AREA SHOWN. PARTS UNDER 2.000 MAY BE MARKED ON BOTH SIDES.
- 2 MATERIAL: HOUSING - GLASS FILLED HIGH TEMP THERMO PLASTIC, UL94 V-0. POWER CONTACT -HIGH CONDUCTIVITY COPPER ALLOY.
- 3 CONTACT PLATING: NOBLE METAL PLATING ON CONTACT FUNCTIONAL AREA OF POWER AND SIGNAL CONTACTS
- 4 MECHANICAL CONNECTOR KEEP OUT ZONE.
- 5 DATUM AND BASIC DIMENSIONS ESTABLISHED BY CUSTOMER.
- 6 PCB - ALL HOLE DIAMETERS ARE FINISHED HOLE SIZES.
- 7 PCB -  $.0453 \pm .0010$  DRILLED HOLES WITH  $.0003$  MIN Sn OVER  $.001$  TO  $.003$  Cu PLATING TO ACHIEVE A  $.040 \pm .003$  DIA HOLE.

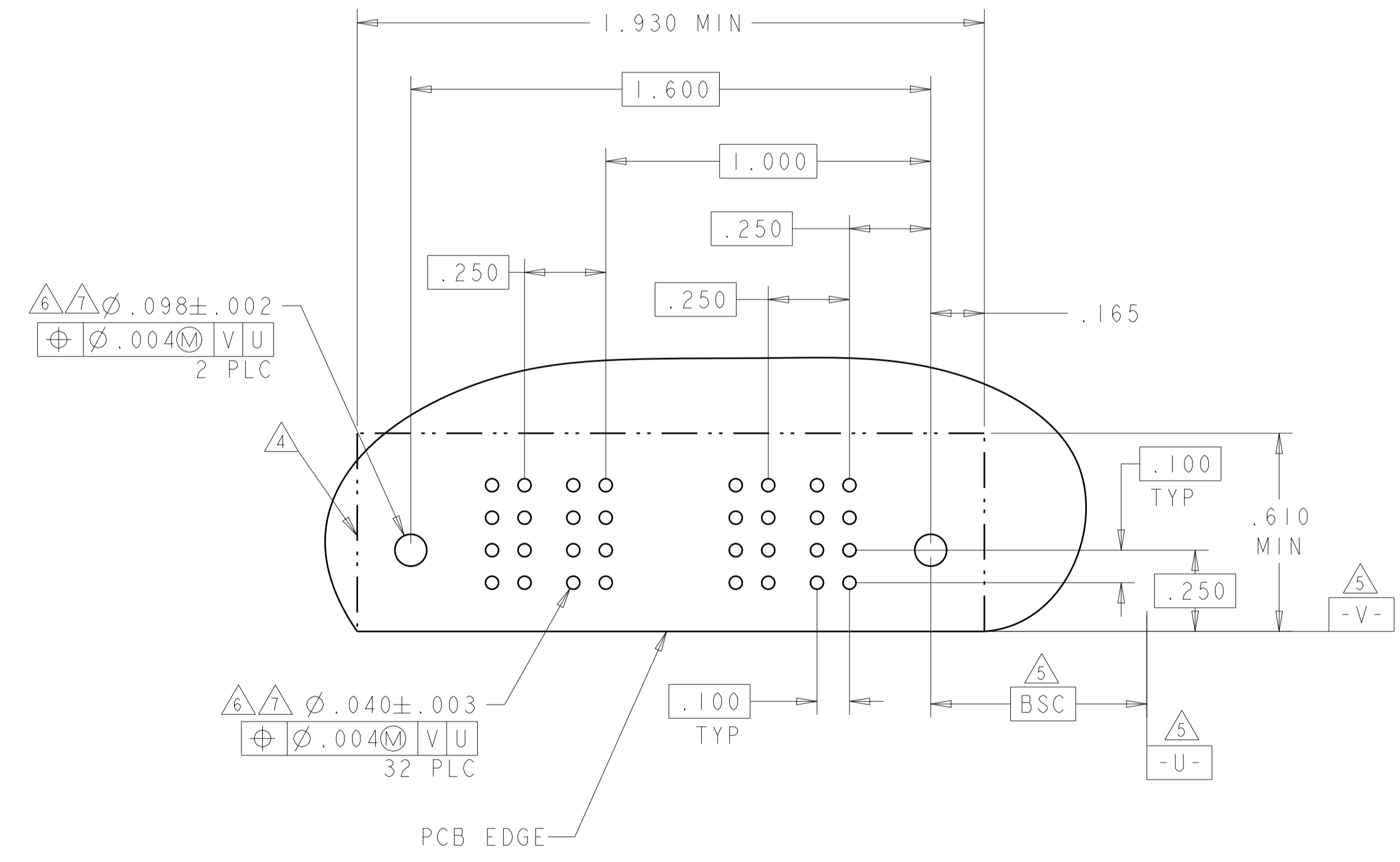
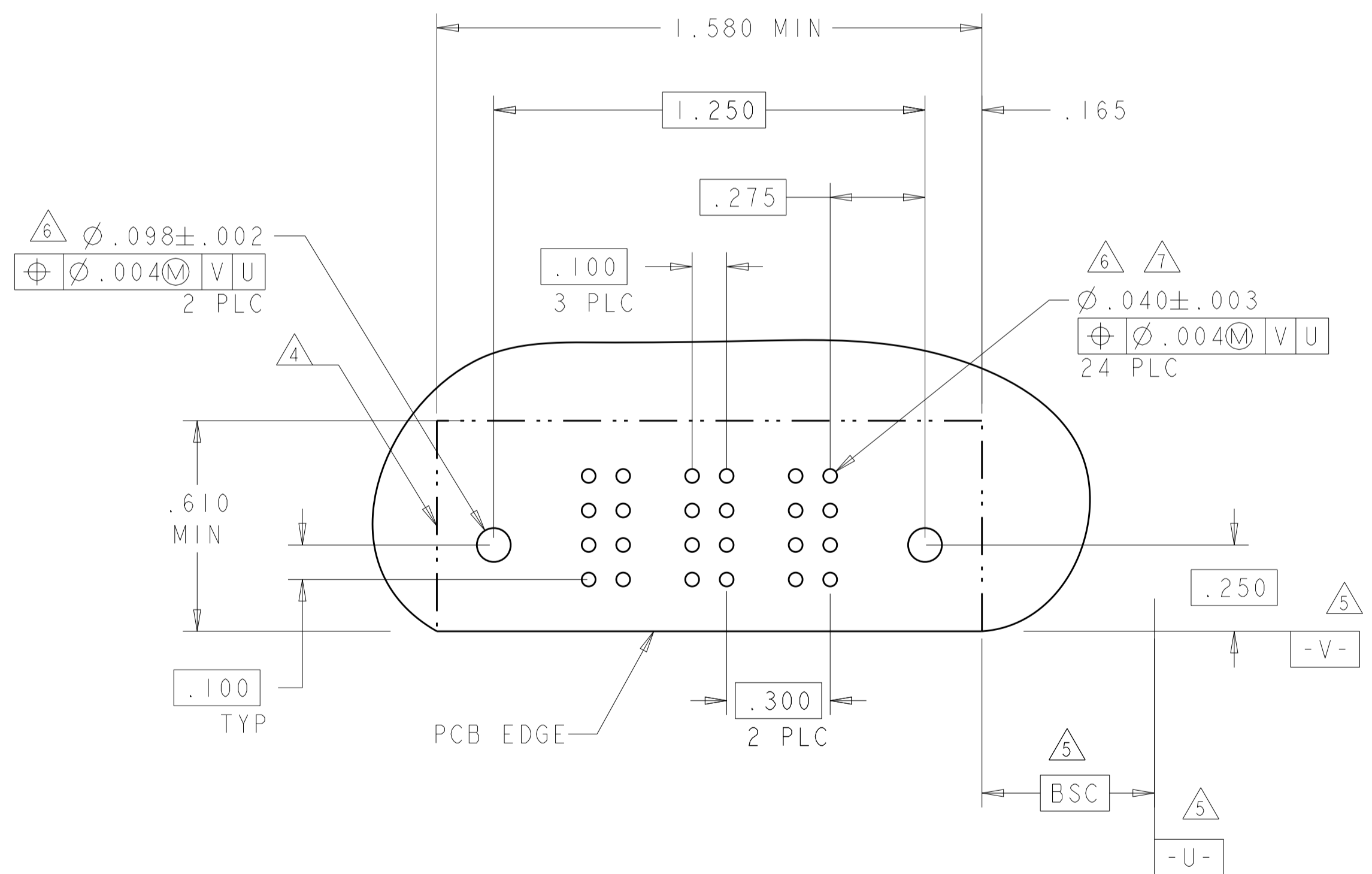
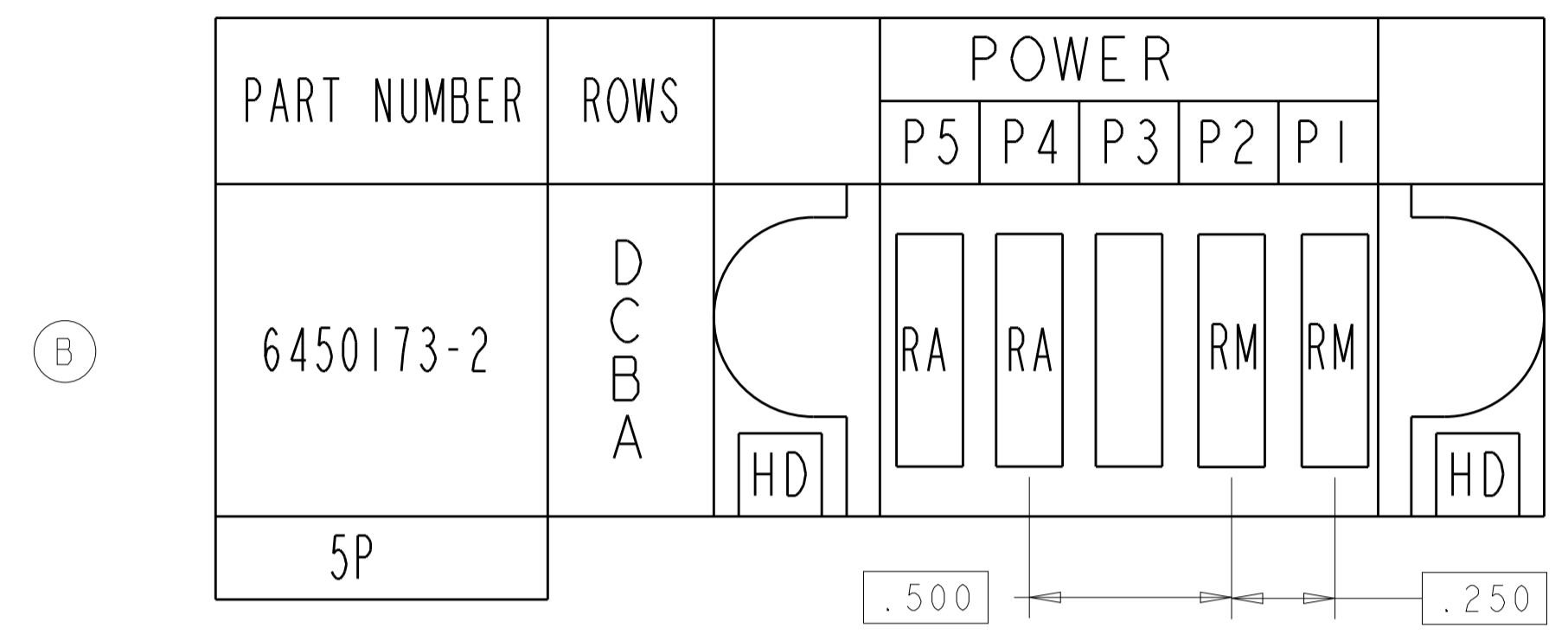
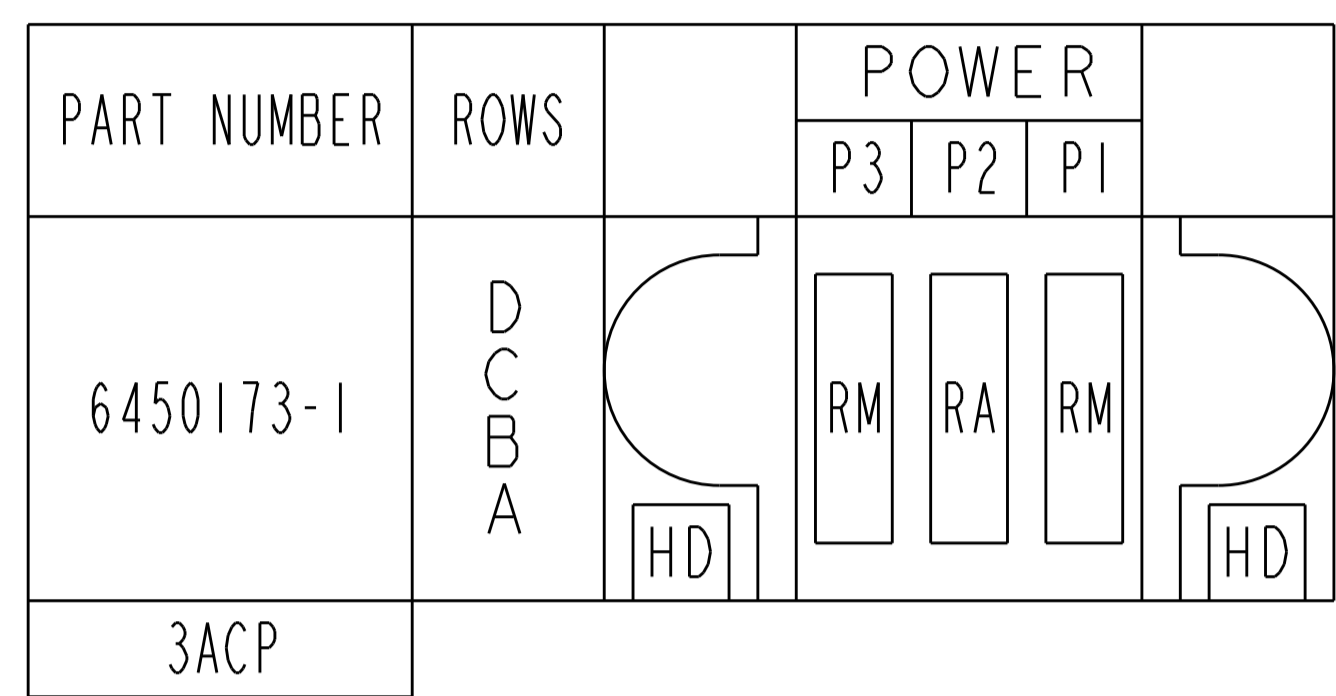


DIM U	DIM S	DIM D	DIM L	DIM K	DESCRIPTION	PART NUMBER
1.550	.250	1.600	1.900	.450	5P	6450173-2
1.200	.300	1.250	1.550	.475	3ACP	6450173-1

DIMENSIONS: INCHES 		TOLERANCES UNLESS OTHERWISE SPECIFIED: 0 PLC $\pm$ 1 PLC $\pm .01$ 2 PLC $\pm .005$ 3 PLC $\pm .002$ 4 PLC $\pm .002$ ANGLES $\pm 7^\circ$		DWN R. GRZYBOWSKI 22FEB05 CHK M. PERCHERKE 22FEB05 APVD M. PERCHERKE PRODUCT SPEC 108-1973 APPLICATION SPEC 114-13038 WEIGHT FINISH 2 3		Tyco Electronics SHANGHAI, P.R.CHINA NAME RIGHT ANGLE RECEPTACLE ASSEMBLY WITH GUIDES MULTI-BEAM XL SIZE CAGE CODE DRAWING NO A100779C=6450173 RESTRICTED TO CUSTOMER DRAWING SCALE 4:1 SHEET 1 OF 2 REV B1	
---------------------------	--	--	--	---	--	--	--

LOC	DIST	REVISIONS			
P	LTN	DESCRIPTION	DATE	DMN	APVD
-	-	SEE SHEET 1	-	-	-



RB	.090	MFBL
RN	.090	STD
RA	.135	MFBL
RM	.135	STD
CODE	TAIL LENGTH	DESCRIPTION
POWER CONTACT		

DIMENSIONS: INCHES 		TOLERANCES UNLESS OTHERWISE SPECIFIED: 0 PLC ± 1 PLC ±.01 2 PLC ±.005 3 PLC ±.002 4 PLC ±.002 ANGLES ±.02°		DWN R. GRZYBOWSKI 22FEB05 CHK M. PERCHERKE 22FEB05 APVD M. PERCHERKE PRODUCT SPEC 108-1973 APPLICATION SPEC 114-13038 WEIGHT CUSTOMER DRAWING		Tyco Electronics SHANGHAI, P.R.CHINA NAME RIGHT ANGLE RECEPTACLE ASSEMBLY WITH GUIDES MULTI-BEAM XL SIZE CAGE CODE DRAWING NO RESTRICTED TO A100779C=6450173 SCALE 4:1 SHEET 2 OF 2 REV B1	
---------------------------	--	--	--	---	--	--	--