

PART NUMBER	ITEM ① BODY	ITEM ② CONTACT	ITEM ③ INSULATOR	ITEM ④ FLAT WASHER	ITEM ⑤ LOCK WASHER	ITEM ⑥ NUT	"P"	"T"
142-0701-401	BRASS GOLD PL .00001 MIN OVER NICKEL PL .00005 MIN OVER COPPER PL .00005 MIN	BERYLLIUM COPPER GOLD PL .00005 MIN OVER NICKEL PL .00005 MIN OVER COPPER PL .00005 MIN	TEFLON	NONE	BRONZE GOLD PL .00001 MIN OVER NICKEL PL .00005 MIN	BRASS GOLD PL .00001 MIN OVER NICKEL PL .00005 MIN OVER COPPER PL .00005 MIN	.109	.094
142-0701-402	BRASS GOLD PL .00001 MIN OVER NICKEL PL .00005 MIN OVER COPPER PL .00005 MIN	BERYLLIUM COPPER GOLD PL .00005 MIN OVER NICKEL PL .00005 MIN OVER COPPER PL .00005 MIN	TEFLON	NONE	BRONZE GOLD PL .00001 MIN OVER NICKEL PL .00005 MIN	BRASS GOLD PL .00001 MIN OVER NICKEL PL .00005 MIN OVER COPPER PL .00005 MIN	.109	.094
142-0701-403	BRASS GOLD PL .00001 MIN OVER NICKEL PL .00005 MIN OVER COPPER PL .00005 MIN	BERYLLIUM COPPER GOLD PL .00005 MIN OVER NICKEL PL .00005 MIN OVER COPPER PL .00005 MIN	TEFLON	NONE	NONE	NONE		
142-0701-404	BRASS GOLD PL .00001 MIN OVER NICKEL PL .00005 MIN OVER COPPER PL .00005 MIN	BERYLLIUM COPPER GOLD PL .00005 MIN OVER NICKEL PL .00005 MIN OVER COPPER PL .00005 MIN	TEFLON	BRASS GOLD PL .00001 MIN OVER NICKEL PL .00005 MIN OVER COPPER PL .00005 MIN	NONE	BRASS GOLD PL .00001 MIN OVER NICKEL PL .00005 MIN OVER COPPER PL .00005 MIN	.125	.062
142-0701-405	COPPER GOLD PL .00005 MIN OVER COPPER PL .00005 MIN	BERYLLIUM COPPER GOLD PL .00005 MIN OVER COPPER PL .00005 MIN	TEFLON	NONE	NONE	COPPER GOLD PL .00005 MIN OVER COPPER PL .00005 MIN	.125	.062
142-0701-406	BRASS NICKEL PL .0001 MIN OVER COPPER PL .00005 MIN	BERYLLIUM COPPER GOLD PL .00005 MIN OVER NICKEL PL .00005 MIN OVER COPPER PL .00005 MIN	TEFLON	NONE	BRONZE NICKEL PL .0001 MIN OVER COPPER PL .00005 MIN	BRASS NICKEL PL .0001 MIN OVER COPPER PL .00005 MIN	.109	.094
142-0701-407	BRASS NICKEL PL .0001 MIN OVER COPPER PL .00005 MIN	BERYLLIUM COPPER GOLD PL .00005 MIN OVER NICKEL PL .00005 MIN OVER COPPER PL .00005 MIN	TEFLON	BRASS NICKEL PL .0001 MIN OVER COPPER PL .00005 MIN	NONE	BRASS NICKEL PL .0001 MIN OVER COPPER PL .00005 MIN	.125	.062
142-0701-408	BRASS GOLD PL .00001 MIN OVER NICKEL PL .00005 MIN OVER COPPER PL .00005 MIN	BERYLLIUM COPPER GOLD PL .00005 MIN OVER NICKEL PL .00005 MIN OVER COPPER PL .00005 MIN	TEFLON	BRASS GOLD PL .00001 MIN OVER NICKEL PL .00005 MIN OVER COPPER PL .00005 MIN	BRONZE GOLD PL .00001 MIN OVER NICKEL PL .00005 MIN OVER COPPER PL .00005 MIN	BRASS GOLD PL .00001 MIN OVER NICKEL PL .00005 MIN OVER COPPER PL .00005 MIN	.109	.062
142-0701-409	BRASS GOLD PL .00001 MIN OVER NICKEL PL .00005 MIN OVER COPPER PL .00005 MIN	BERYLLIUM COPPER GOLD PL .00005 MIN OVER NICKEL PL .00005 MIN OVER COPPER PL .00005 MIN	TEFLON	NONE	BRONZE GOLD PL .00001 MIN OVER NICKEL PL .00005 MIN OVER COPPER PL .00005 MIN	BRASS GOLD PL .00001 MIN OVER NICKEL PL .00005 MIN OVER COPPER PL .00005 MIN	.125	.062

DRAWING NO.  
C - 142-0701-401/410

0 REVISIONS

ADDED: P/N 142-0701-402

5 3-11-93 R H J B P A H 3-15-93 ECO 41618

VERSION UPDATE

5a 5-27-94 R H J B P A H 6-1-94 ECN 42531

ADDED: P/N 142-0701-403

5b 6-27-94 R H J B P A H ECN 42616

VERSION UPDATE

5c 9-23-97 R H S W T R J B A ECN 44995

ADDED: P/N 142-0701-405

5d 4-20-99 R H J B P A H ECN 46306

CHANGED: MATERIAL ITEMS 1 AND 5  
P/N 142-0701-405 COPPER WAS BRASS

\*\*\*\*\*  
\* REVISION NUMBER FOLLOWED BY AN ALPHA \*  
\* CHARACTER INDICATES DRAWING CLARIFICATION \*  
\* CATION OR PART NUMBER ADDITION ONLY. \*  
\*\*\*\*\*

5e 3-29-00 R H J B P A H ECN 46457

BRONZE WAS BRASS (2X)  
LOCK WAS FLAT "P" WAS .125  
.032 WAS .018, "T" WAS .062

ADDED: LOCKWASHER, .025  
ADDED: P/N 142-0701-404  
ADDED: P/N 142-0701-407  
ADDED: P/N 142-0701-408

6 5-30-01 R H J B P A H 1-24-06 ECN 47866

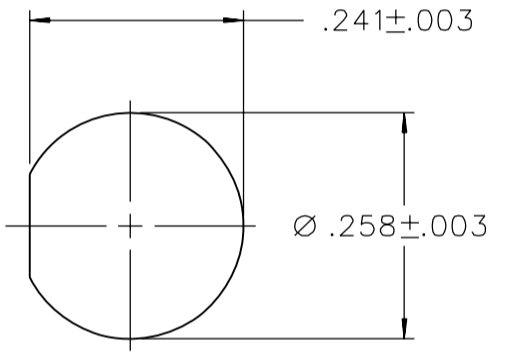
DELETED: FLAT WASHER FROM  
142-0701-405

7 1-24-06 P A T J B J S J C N 1-31-06 ECN 50219

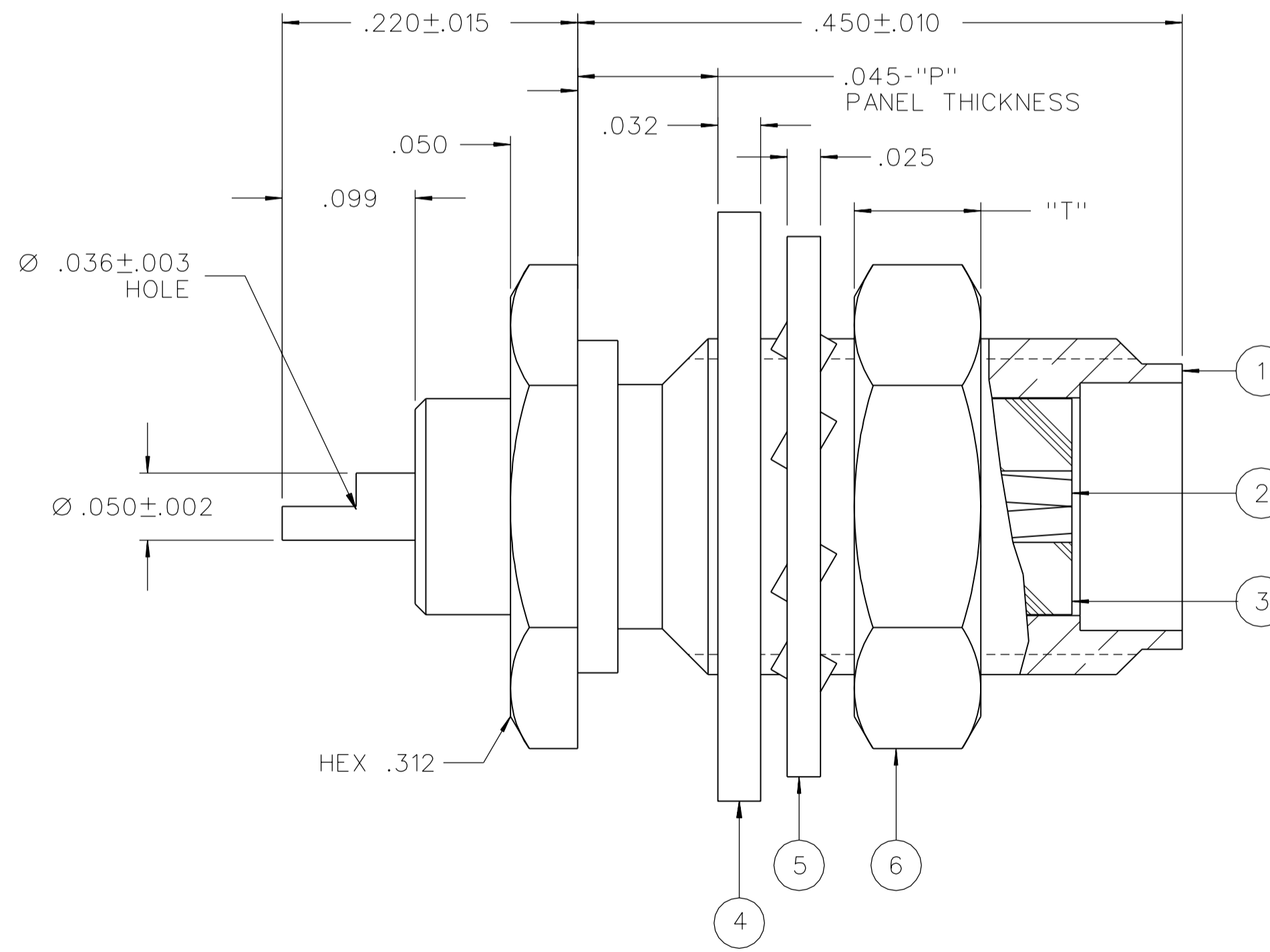
ADDED P/N: 142-0701-409

\*\*\*\*\*  
\* REVISION NUMBER FOLLOWED BY AN ALPHA \*  
\* CHARACTER INDICATES DRAWING CLARIFICATION \*  
\* CATION OR PART NUMBER ADDITION ONLY. \*  
\*\*\*\*\*

7a 8-17-07 P A T J B J S J C N 8-21-07 ECN 51184



MOUNTING HOLE  
4:1



NOTES:

- SPECIFICATIONS:
  - IMPEDANCE: 50 OHMS
  - FREQUENCY RANGE: 0-18 GHZ
  - VSWR: NOT APPLICABLE
  - WORKING VOLTAGE: 335 VRMS MAX AT SEA LEVEL
  - DIELECTRIC WITHSTANDING VOLTAGE: 1000 VRMS MIN AT SEA LEVEL
  - INSULATION RESISTANCE: 5000 MEGOHM MIN
  - CONTACT RESISTANCE:
    - CENTER CONTACT - INITIAL 3.0 MILLIOHM MAX, AFTER ENVIRONMENTAL 4.0 MILLIOHM MAX
    - OUTER CONDUCTOR - INITIAL 2.0 MILLIOHM MAX AFTER ENVIRONMENTAL NOT APPLICABLE
  - BODY TO CABLE - NOT APPLICABLE
  - CORONA LEVEL: 250 VOLTS MIN AT 70,000 FEET
  - INSERTION LOSS: NOT APPLICABLE
  - RF LEAKAGE: NOT APPLICABLE
  - RF HIGH POTENTIAL WITHSTANDING VOLTAGE: 670 VRMS MIN AT 4 AND 7 MHZ
- MECHANICAL:
  - ENGAGE/DISENGAGE TORQUE: 2 INCH-POUNDS MAX
  - MATING TORQUE: 7-10 INCH POUNDS
  - COUPLING PROOF TORQUE: NOT APPLICABLE
  - COUPLING NUT RETENTION: NOT APPLICABLE
  - CONTACT RETENTION: 6 LBS MIN AXIAL FORCE  
4 IN-OZ MIN RADIAL TORQUE
  - CABLE ACCEPTABILITY: NOT APPLICABLE
  - CABLE HEX CRIMP SIZE: NOT APPLICABLE
  - CABLE RETENTION: NOT APPLICABLE
  - DURABILITY: 500 CYCLES MIN
- ENVIRONMENTAL:
  - (MEETS OR EXCEEDS THE APPLICABLE PARAGRAPH OF MIL-PRF-39012)
  - THERMAL SHOCK: MIL-STD-202, METHOD 107, CONDITION B, EXCEPT 200° C HIGH TEMP
  - OPERATING TEMPERATURE: -65 DEG C TO 165 DEG C
  - CORROSION: MIL-STD-202, METHOD 101, CONDITION B
  - SHOCK: MIL-STD-202, METHOD 213, CONDITION I
  - VIBRATION: MIL-STD-202, METHOD 204, CONDITION D
  - MOISTURE RESISTANCE: MIL-STD-202, METHOD 106

CUSTOMER DRAWING

THIS DRAWING TO BE INTERPRETED  
PER ASME Y 14.5M - 1994

"μSTATION"

COMPANY CONFIDENTIAL

TOLERANCE UNLESS OTHERWISE SPECIFIED	DRAWN BY EJ	DATE 5-1-90
DECIMALS _____ mm _____	CHECKED BY OMI	DATE 5-10-90
.XX _____	APPROVED BY RJB	DATE 5-10-90
.XXX _____	RELEASE DATE 5-18-90	
MATL _____	U/M INCH	SCALE 10:1
FINISH _____		

**cinch** Connectivity Solutions  
P.O. Box 1732  
Waseca, MN 56093  
1-800-247-8256

TITLE  
JACK ASSEMBLY,  
REAR MOUNT BULKHEAD,  
SMA

SHEET 2 OF 2  
DRAWING NO.  
C - 142-0701-401/410