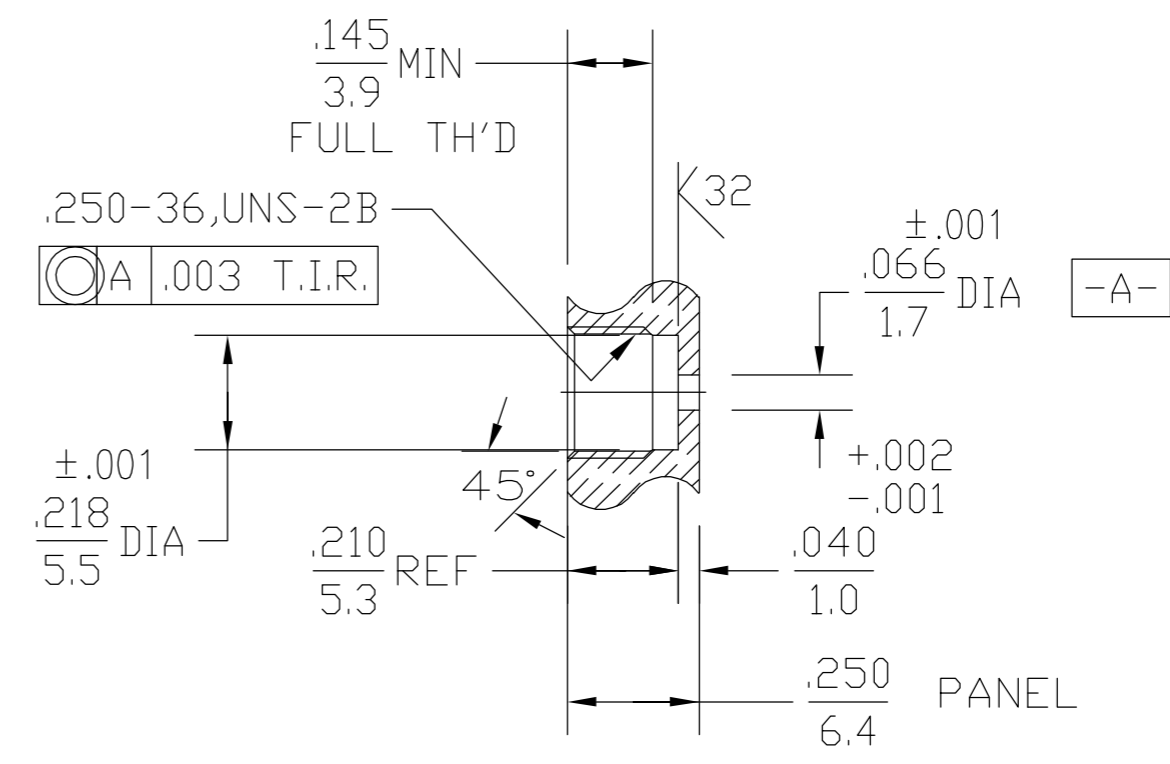
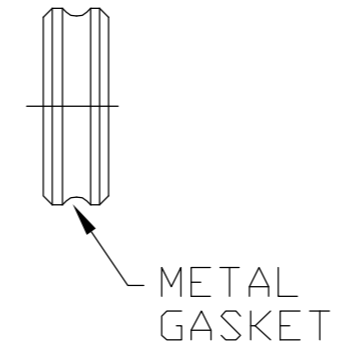
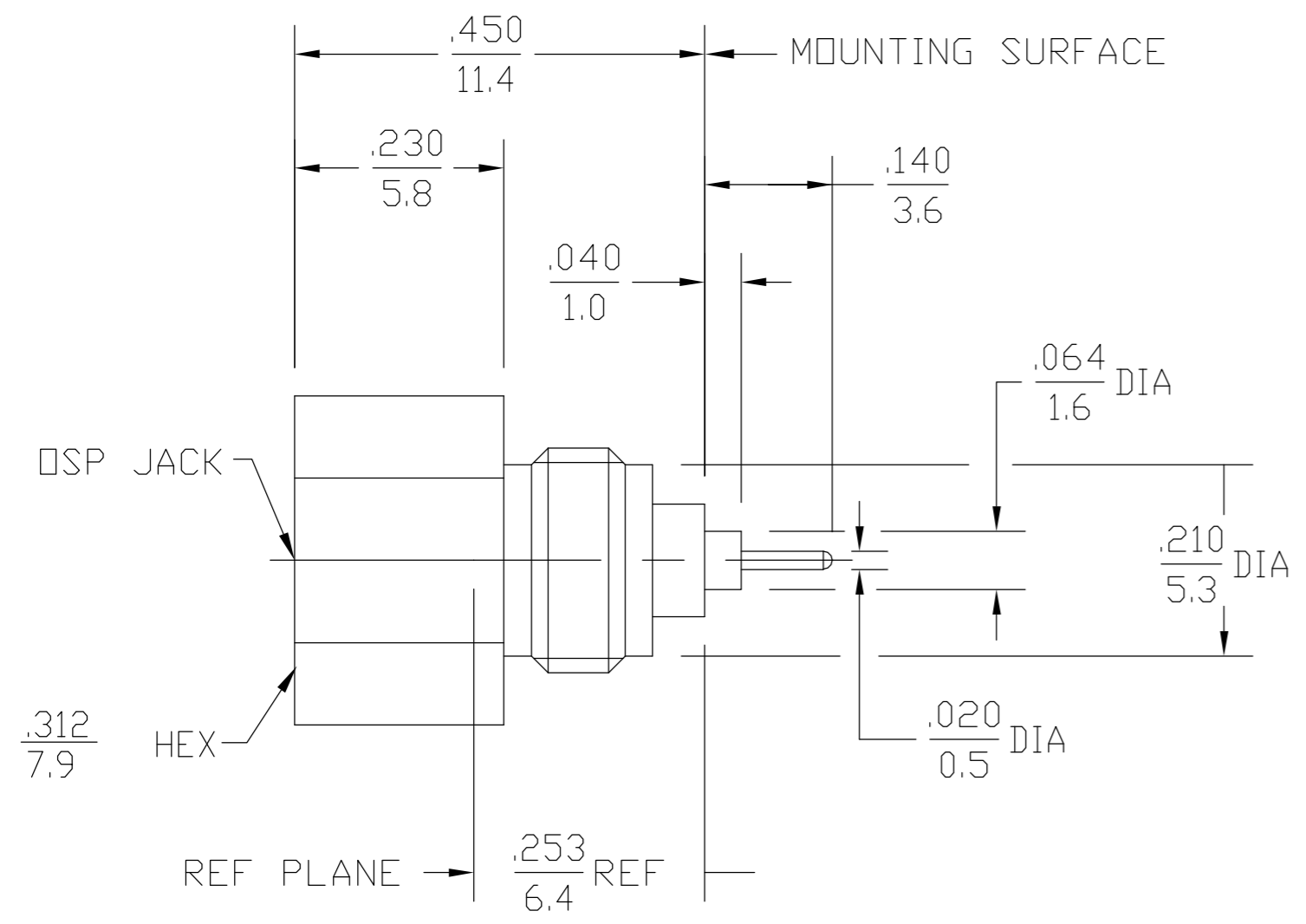


THIS DRAWING IS UNPUBLISHED. RELEASED FOR PUBLICATION  
 © COPYRIGHT BY TYCO ELECTRONICS CORPORATION. ALL RIGHTS RESERVED.

| LOC |     | DIST        |           | REVISIONS |      |  |  |
|-----|-----|-------------|-----------|-----------|------|--|--|
| P   | LTR | DESCRIPTION | DATE      | DWN       | APVD |  |  |
|     |     | RELEASED    | 13JAN2006 | KS        | JGH  |  |  |

1. SEE INSTRUCTION SHEET 408-8288



RECOMMENDED MOUNTING HOLE

| ELECTRICAL   | MECHANICAL  | ENVIRONMENTAL   | HOUSING BUSHING                                       | MATERIAL   | FINISH                      |
|--|---|---|---|--|-----------------------------|
| Nominal Impedance (Ohms) 50  | Interface Dimensions per MIL-STD-348A                   | TEMPERATURE RATING -65° TO +125°C                             | STAINLESS STEEL PER ASTM-A484 AND ASTM-A582, TYPE 303 | PASSIVATE PER ASTM A 380                                   |                             |
| Frequency Range (GHz) DC to 18   | Fig 321.2   | Vibration MIL-STD-202, Method 204, Condition D, 20G's         | DIELECTRIC  | TFE FLUOROCARBON PER ASTM-D-1710                           | N/A                         |
| Volt Rating (VRMS MAX) @ Sea Level 335                                   | Mating Characteristics:                                 | Shock MIL-STD-202, Method 213, Condition I, 100G's            | CENTER CONTACT  | BERYLLIUM COPPER PER ASTM B 196                            | GOLD PLATE PER ASTM B 488   |
| VSWR 1.04+.009f(GHz)   | Insertion (MAX Lbs) 3                                   | Thermal Shock MIL-STD-202, Method 102, Condition C            | CONTACT RING SHIM                                     | BERYLLIUM COPPER PER ASTM B 194                            | GOLD PLATE PER ASTM B 488   |
| Insertion Loss (dB MAX) .05x√f(GHz)                                      | Withdrawal (MIN Oz) 1                                   | Moisture Resistance MIL-STD-202, Method 106                   | CONTACT SLEEVE  | BERYLLIUM COPPER PER ASTM B 194                            | GOLD PLATE PER ASTM B 488   |
| RF Leakage (dB MIN) (Interface Only, Fully Mated) -(90-f(GHz))           | Force to Engage (Lbs MAX) 3.0 & Disengage (Lbs MAX) 1.5 | Corrosion - MIL-STD-202, Method 101, Condition B              | BUSHING CONTACT EXT                                   | IRON-NICKEL-COBALT ALLOY PER MIL-I-23011, CLASS 1 (KOVAR)D | GOLD PLATE PER ASTM B 488   |
| Corona, 70,000 Ft (VRMS MIN) 335   | Center Contact Captivation Axial (Lbs MIN) 6.0          | Hermetic Seal Leak Rate (@ 1 Atm) 1 x 10 <sup>-8</sup> cc/sec | METAL GASKET  | KOVAR  | SILVER PLATE PER ASTM B 700 |
| Dielectric Withstanding Voltage (VRMS MIN) @ Sea Level 1,000             | Weight (Grams) TBD                                      |   | GLASS SEAL  | GLASS BEAD   | N/A                         |
| Contact Resistance (Milliohms MAX) Center Contact 10.0 Outer Contact 2.0 |   |   | COMPONENT   |  |                             |
| RF High Potential @ Sea Level (VRMS MIN @ 5 MHz) 1,000                   |   |   |   |  |                             |
| I.R.(Megohms MIN) 5,000  |   |   |   |  |                             |
|  |   | .XXX = in<br>XX.X = mm (REF)                                  |   |  |                             |

6059674-1  
PART NUMBER

THIS DRAWING IS A CONTROLLED DOCUMENT.

|                        |   |                           |   |
|------------------------|---|---------------------------|---|
| DIMENSIONS: INCHES[mm] | TOLERANCES UNLESS OTHERWISE SPECIFIED:  | DWN DK SCHRUM 13JAN2006   | Tyco Electronics Corporation<br>Harrisburg, PA 17105-3608                     |
|                        | 0 PLC ± -<br>1 PLC ± -<br>2 PLC ± .005[0.13]<br>3 PLC ± -<br>4 PLC ± -<br>ANGLES ± 1° | CHK JG HAVENER 13JAN2006  |   |
|                        |   | APVD JG HAVENER 13JAN2006 |   |
|                        |   | PRODUCT SPEC              |   |
| MATERIAL SEE TABLE     | FINISH SEE TABLE  | NAME                      | OSP PANEL FEEDTHRU,<br>JACK RECEPTACLE, HERMETICALLY SEALED<br>(4558-5335-02) |
|                        |   | APPLICATION SPEC          | SIZE A2 CAGE CODE 00779 DRAWING NO C=6059674 RESTRICTED TO                    |
|                        |   | WEIGHT -                  | SCALE NTS SHEET 1 of 1 REV 0  |
|                        |   | CUSTOMER DRAWING          |   |