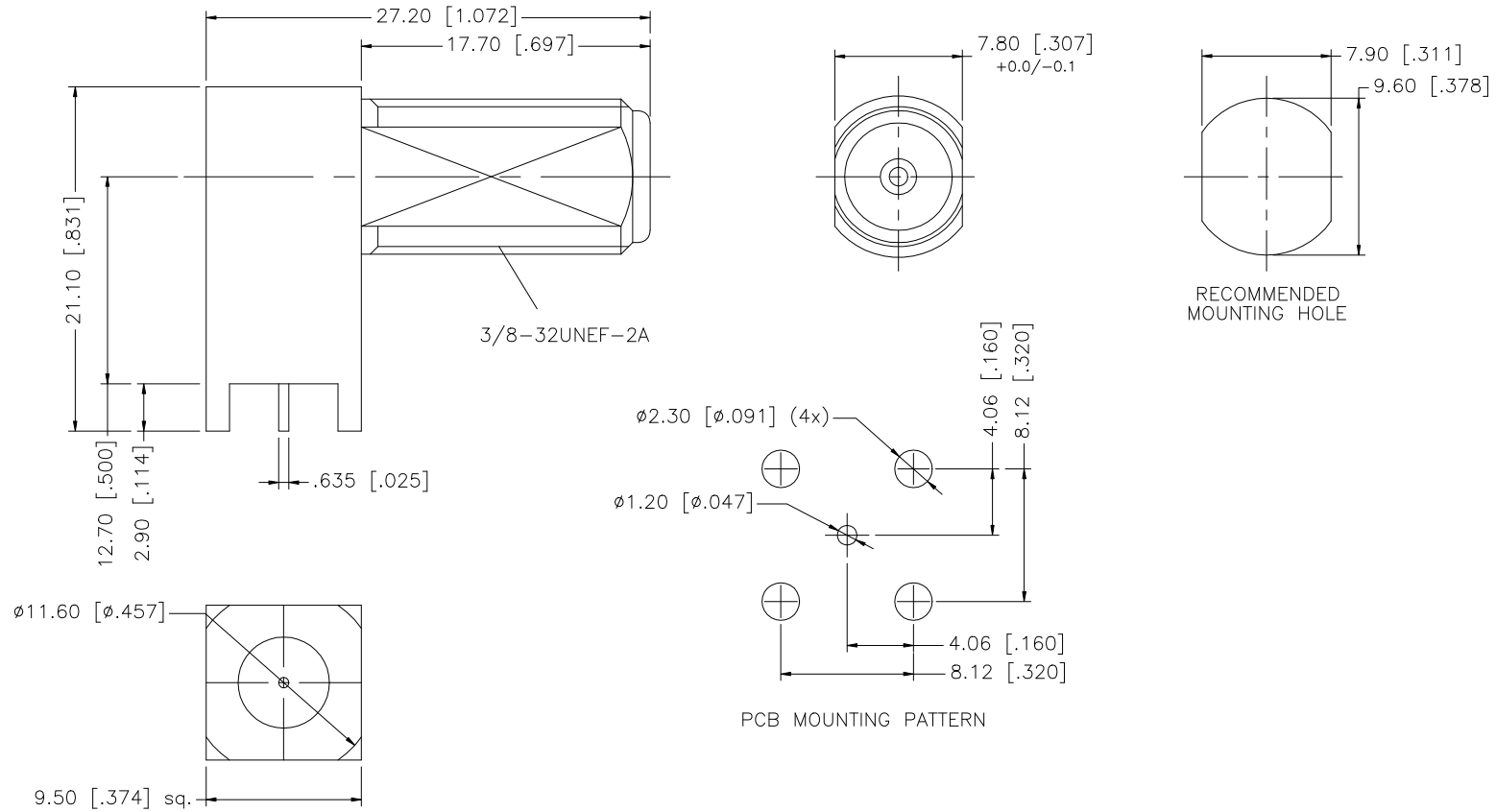


REV.	DATE	DESCRIPTION
NC	05/20/02	INITIAL RELEASE
A	04/11/06	UPDATE DRAWING FORMAT



NOTES;

1. ACCEPTS $\phi 0.5 \sim 1.05$ CENTER CONDUCTOR TYPICAL.
2. RETURN LOSS -15db MIN. AT 2 GHz.
3. BRT. TIN (90/100) PL. 100 MIN. THICK OVER NICKEL PL. 50 MIN.

				UNLESS OTHERWISE SPECIFIED DIMENSIONS ARE IN MILLIMETERS. DIMENSIONS IN [] ARE IN INCHES AND FOR CUSTOMER REFERENCE ONLY.	APPROVALS	DATE	Amphenol Connex				
8					DRAWN	G.R.S.					04/11/06
7					CHECKED			PART NO. 222180			
6	INSULATOR	TEFLON	NATURAL	1	ISSUED						
5	CONTACT PIN	BRASS	GOLD	1	SHEET	1 OF 1		REV. A	SIZE A	SCALE NA	
4	INSULATOR	TEFLON	NATURAL	1	CAD FILE		C:/222/1222180.DWG				
3	CONTACT PIN	BER. COPPER	GOLD	1	DO NOT SCALE DRAWING						
2	INSULATOR	TEFLON	BRT. TIN	1							
1	BODY	BRASS	BRT. TIN	1							
DESCRIPTION				MATERIAL	FINISH	QTY					

UNLESS OTHERWISE SPECIFIED DIMENSIONS ARE IN MILLIMETERS. DIMENSIONS IN [] ARE IN INCHES AND FOR CUSTOMER REFERENCE ONLY.

UNLESS OTHERWISE SPECIFIED TOLERANCES FOR MILLIMETERS ARE:
0.5 - 8mm $\pm 0.20\text{mm}$
8 - 30mm $\pm 0.40\text{mm}$
30 - 120mm $\pm 0.50\text{mm}$

UNLESS OTHERWISE SPECIFIED TOLERANCES FOR INCHES ARE:
.020 - .315 = ± 0.007 "
.315 - 1.180 = ± 0.015 "
1.180 - 4.724 = ± 0.020 "