

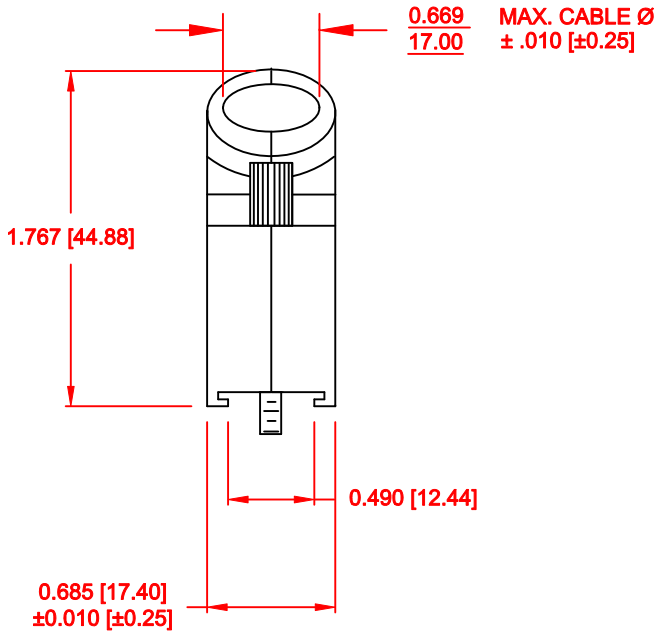
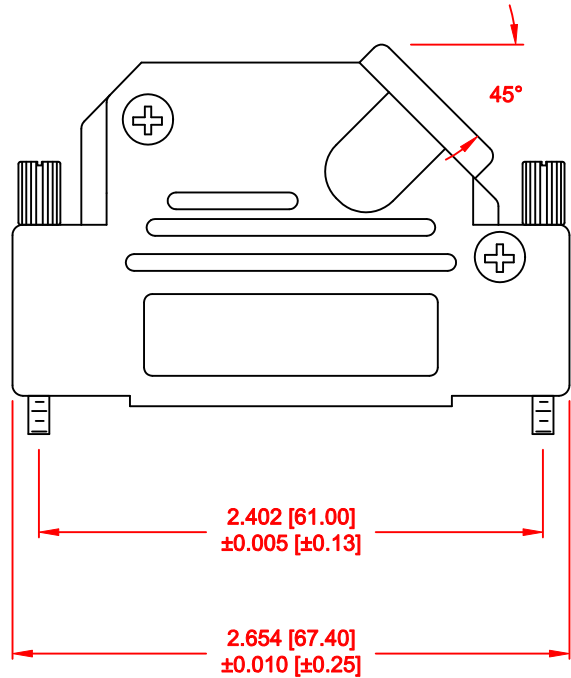
BACKSHELL KIT INCLUDES:

- (2) BACKSHELL HALVES
- (2) 4-40 THUMBSCREWS
- (2) HOUSING SCREWS
- (2) STRAIN RELIEF SCREWS
- (1) STRAIN RELIEF
- (1) SET OF COMPRESSION INSERTS - VARIOUS SIZES
 DIAMETERS: 0.433[11.00], 0.492[12.50], 0.551[14.00], 0.591[15.00] & 0.669[17.00] (WITHOUT GROMMET)


MATERIAL: DIE-CAST ZINC ALLOY
 PLATING: NICKEL OVER COPPER
 JACKSCREWS: STEEL, ZINC PLATED
 M3 HOODSCREWS: STEEL, ZINC PLATED
 COMPRESSION INSERT: ABS UL RECOGNIZED
 OPERATING TEMP: -30°C TO +90°C

971-050-030R121

SERIES _____
 POSITIONS _____
 050 _____
 MATERIAL _____
 030 = ZINC ALLOY _____
 COLOR _____
 12 = NICKEL OVER COPPER _____
 PUT-UPS _____
 1 = KIT _____



RoHS COMPLIANT

	THESE DRAWINGS AND SPECIFICATIONS ARE THE PROPERTY OF NorComp AND SHALL NOT BE REPRODUCED, COPIED OR USED AS THE BASIS FOR THE MANUFACTURE OR SALE OF APPARATUS WITHOUT WRITTEN PERMISSION.		DRAWN: M. SIGMON	DATE: 04-26-12	
	<h1>NorComp</h1>			CHECKED:	DATE:
SCALE				SHEET 1 OF 1	REV 0
DWG NO. 971-050-030R121					