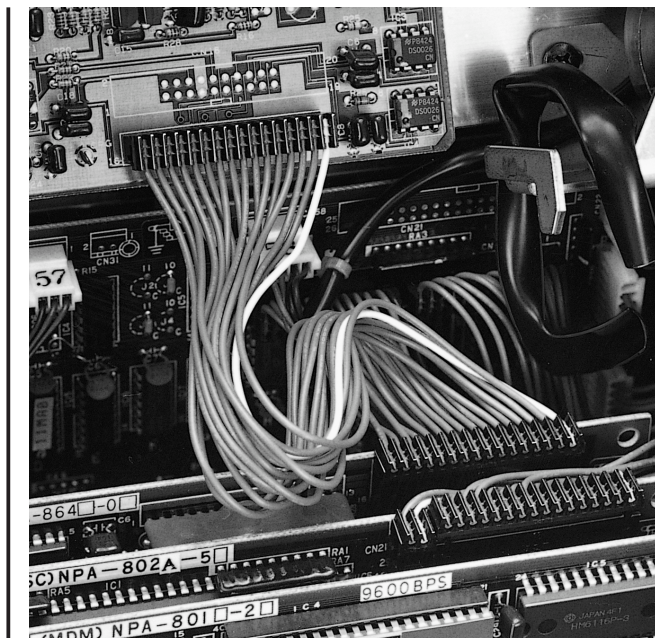
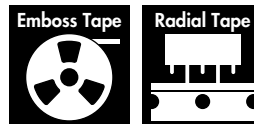
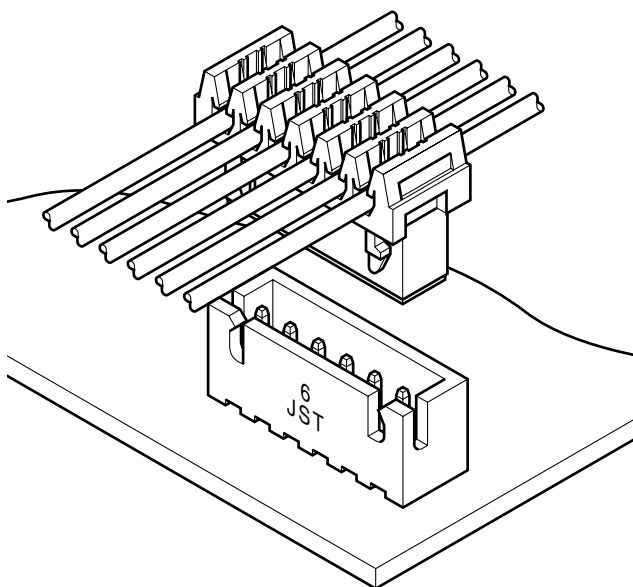


NRD CONNECTOR

Disconnectable Insulation displacement connectors



This 2.5mm pitch insulation displacement connector is another version of the NR connector for printed circuit boards. The NRD connector allows daisy chaining and is very useful in simplifying connection systems in electronic equipment.



Features

• Daisy chain connection

The connection shown in the figure is commonly called "daisy chain connection"s or "through connection"s. With these simple connections, many signals can be bussed to many different printed circuit boards. The NRD connector is constructed to allow such daisy chain connections.

• Reliable insulation displacement construction

The contact is identical to that of the NR connector which has an established reputation for superb reliability.

• Strain relief

Two strain relief sections are provided on the housing to decouple vibration, bending forces and other external stresses from the insulation displacement section.

• Interchangeability

The shrouded header is interchangeable with the XH connectors (crimp style), the NR connectors (IDC style), and the JQ connectors (board-to-board style).

Specifications

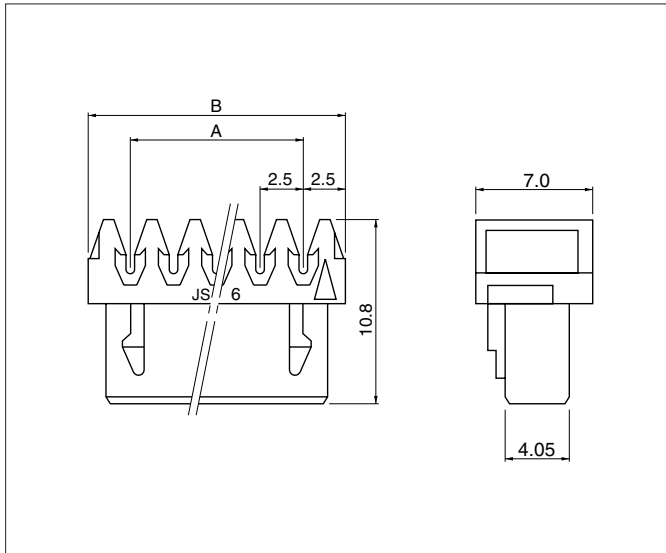
- Current rating: 2A AC, DC (AWG #24)
- Voltage rating: 250V AC, DC
- Temperature range: -25°C to +85°C
(including temperature rise in applying electrical current)
- Contact resistance: Initial value/10m Ω max.
After environmental testing/20m Ω max.
- Insulation resistance: 1,000M Ω min.
- Withstanding voltage: 1,500V AC/minute
- Applicable wire: UL1007(Contact JST for details regarding other UL wires.)
AWG #28, #26, #24
Conductor/7 strands, tin-coated
Insulation O.D./1.1 to 1.5mm
- Applicable PC board thickness: 1.6mm
- * Compliant with RoHS.
- * Refer to "General Instruction and Notice when using Terminals and Connectors" at the end of this catalog.
- * Contact JST for details.

Standards

Recognized E60389

Certified LR20812

Receptacle



Cir- cuits	Model No.			Dimensions (mm)		Q'ty / box
	AWG #28 (green)	AWG #26 (natural/white)	AWG #24 (black)	A	B	
2	02NR-D8M-P	02NR-D6S-P	02NR-D4K-P	2.5	7.5	1,000
3	03NR-D8M-P	03NR-D6S-P	03NR-D4K-P	5.0	10.0	1,000
4	04NR-D8M-P	04NR-D6S-P	04NR-D4K-P	7.5	12.5	1,000
5	05NR-D8M-P	05NR-D6S-P	05NR-D4K-P	10.0	15.0	500
6	06NR-D8M-P	06NR-D6S-P	06NR-D4K-P	12.5	17.5	500
7	07NR-D8M-P	07NR-D6S-P	07NR-D4K-P	15.0	20.0	500
8	08NR-D8M-P	08NR-D6S-P	08NR-D4K-P	17.5	22.5	500
9	09NR-D8M-P	09NR-D6S-P	09NR-D4K-P	20.0	25.0	250
10	10NR-D8M-P	10NR-D6S-P	10NR-D4K-P	22.5	27.5	250
12	12NR-D8M-P	12NR-D6S-P	12NR-D4K-P	27.5	32.5	250
14	14NR-D8M-P	14NR-D6S-P	14NR-D4K-P	32.5	37.5	200
16	16NR-D8M-P	16NR-D6S-P	16NR-D4K-P	37.5	42.5	200

Material and Finish

Contact: Phosphor bronze, tin-plated (reflow treatment)
Housing: PA 66, UL94V-0

RoHS compliance

<For reference> As the color identification, the following alphabet shall be put in the underlined part. For availability, delivery and minimum order quantity, contact JST.

ex. **02NR-D8M-P**

K...black [standard color for AWG#24]

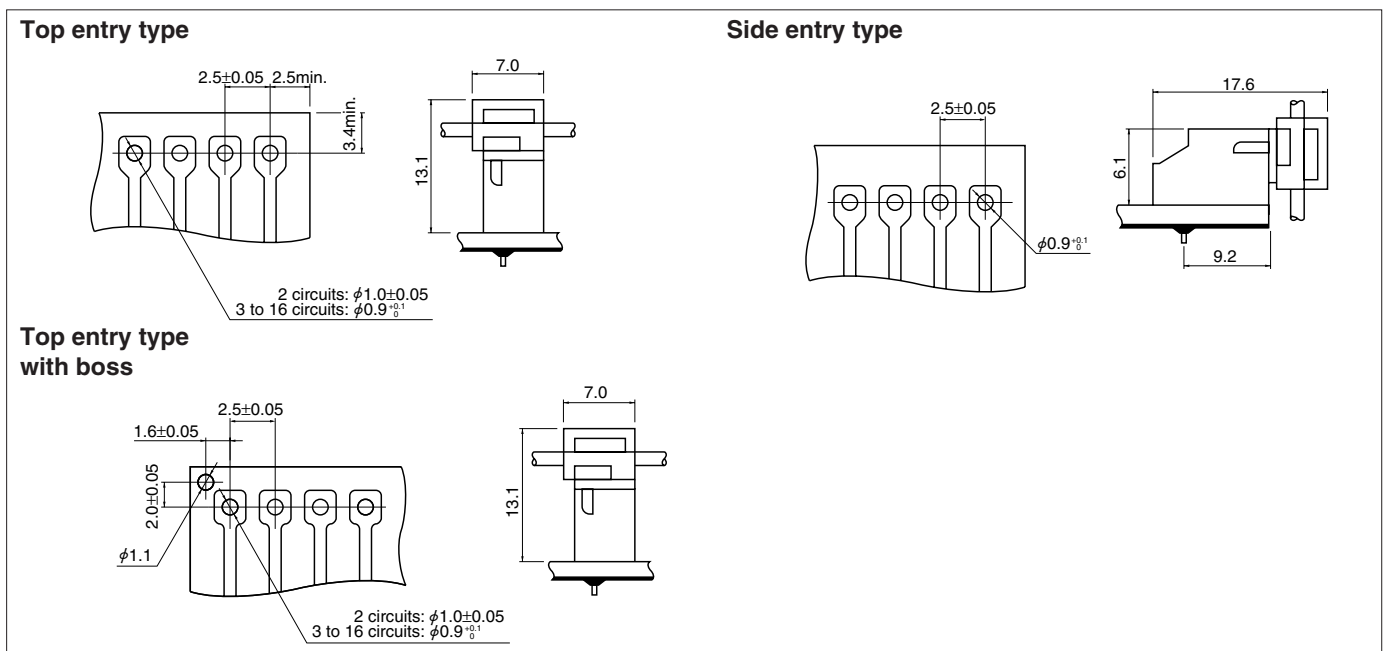
S...natural (white) [standard color for AWG#26]

M...green [standard color for AWG#28]

Shrouded header

The shrouded headers are interchangeable with the XH connectors (crimp style), the NR connectors (IDC style), and the JQ connectors (board-to-board).

PC board layout (viewed from soldering side) and Assembly layout



Note:

1. Tolerances are non-cumulative: $\pm 0.05\text{mm}$ for all centers.
2. Hole dimensions differ according to the kind of PC board and piercing method. If PC boards made of hard material are used, the hole dimensions should be larger. The dimensions above should serve as a guideline. Contact JST for details.