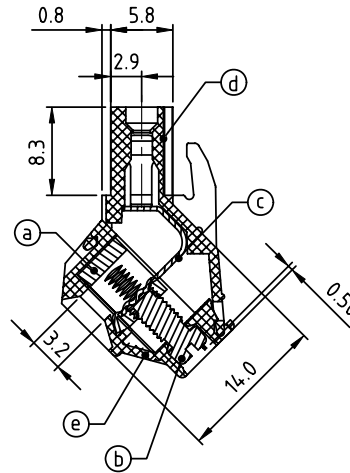
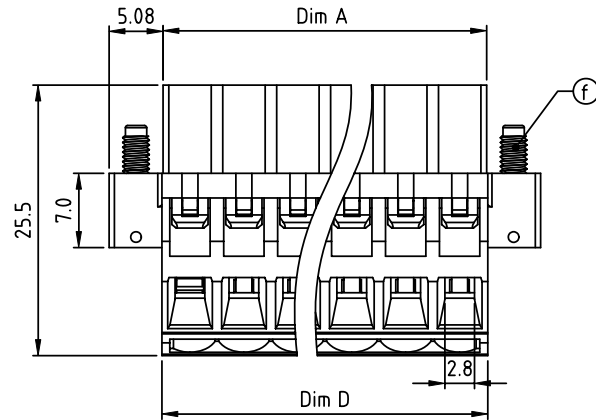
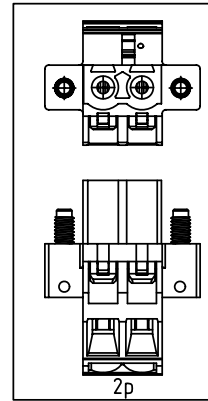
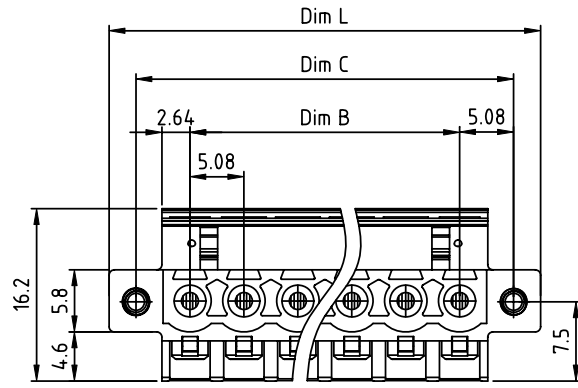


PRODUCT NUMBER	PITCH
EMxx51x200J0G	5.08 mm



Material:

- Item①Clamp: Brass(CuZn) Ni plated
- Item②Terminal screw: Steel Zinc plating "-" slot type
- Item③Female contact: High conductivity copper, Tin plated
- Item④Terminal (top body): Thermoplastic (UL94V-0)
- Item⑤Terminal (bottom body): Thermoplastic (UL94V-0)
- Item⑥Flange screw: Steel Zinc plating "+/-" combination type

Electrical cULus

- Voltage rating: 300VAC
- Current rating: 20A
- Wire range:
- Solid wire(AWG): 12-22
- Stranded wire(AWG): 12-22
- Torque: 4 Lb-In
- Screw: M3
- Wire strip length: 7-8mm
- Withstanding Voltage: 1.6KV
- Operating temperature: -40°C to +115°C
- Safety Approval:

Dim L=(N-1)×5.08+15.24
 Dim A=N×5.08
 Dim B=(N-1)×5.08
 Dim C=(N-1)×5.08+10.16
 Dim D=N×5.08+0.2
 N=Number of poles

POLES	Tolerance
2p-6p	±0.10
7p-12p	±0.20
13p-18p	±0.30
19p-24p	±0.40

PART NO.: EM xx 51 x 2 00J0 G

Solid block	0	Black (RAL9005)	RoHS compliant (lead<4%)
No. of poles	2	Red (RAL3001/D)	In copper Alloy
02	2 poles	3 Orange(RAL2011/P)	
03	3 poles	4 Yellow(RAL1018/A)	
...	...	5 Green(RAL6018/T)	
24	24 poles	6 Blue (RAL5015/A)	
		8 Grey(RAL7035/D)	
		9 White(RAL1102)	
		C Green(RAL6018/U)	

mat'l. code		surface ASME Y14.5	tolerance ASME Y14.5	projection 	product family TERMINAL BLOCK
ltr	ecn no	dr	date	tolerances unless otherwise specified	title TERMINAL BLOCK
				angles 	PLUGGABLE PLUG, WITH FLANGE
				X±0.5	scale
				X.X±0.3	MM
				X*±1*	X.XX±0.1
dr	ENGR	chr	appd	EVIN ZHONG 042114	FCI
				EVIN ZHONG 042114	dwg no
				HANKE FENG 042114	sheet 1 of 1
				SHI JUN 042114	size
					EMxx51x200J0G
sheet index	revision	A			type
	sheet	1			CUSTOMER Drawing