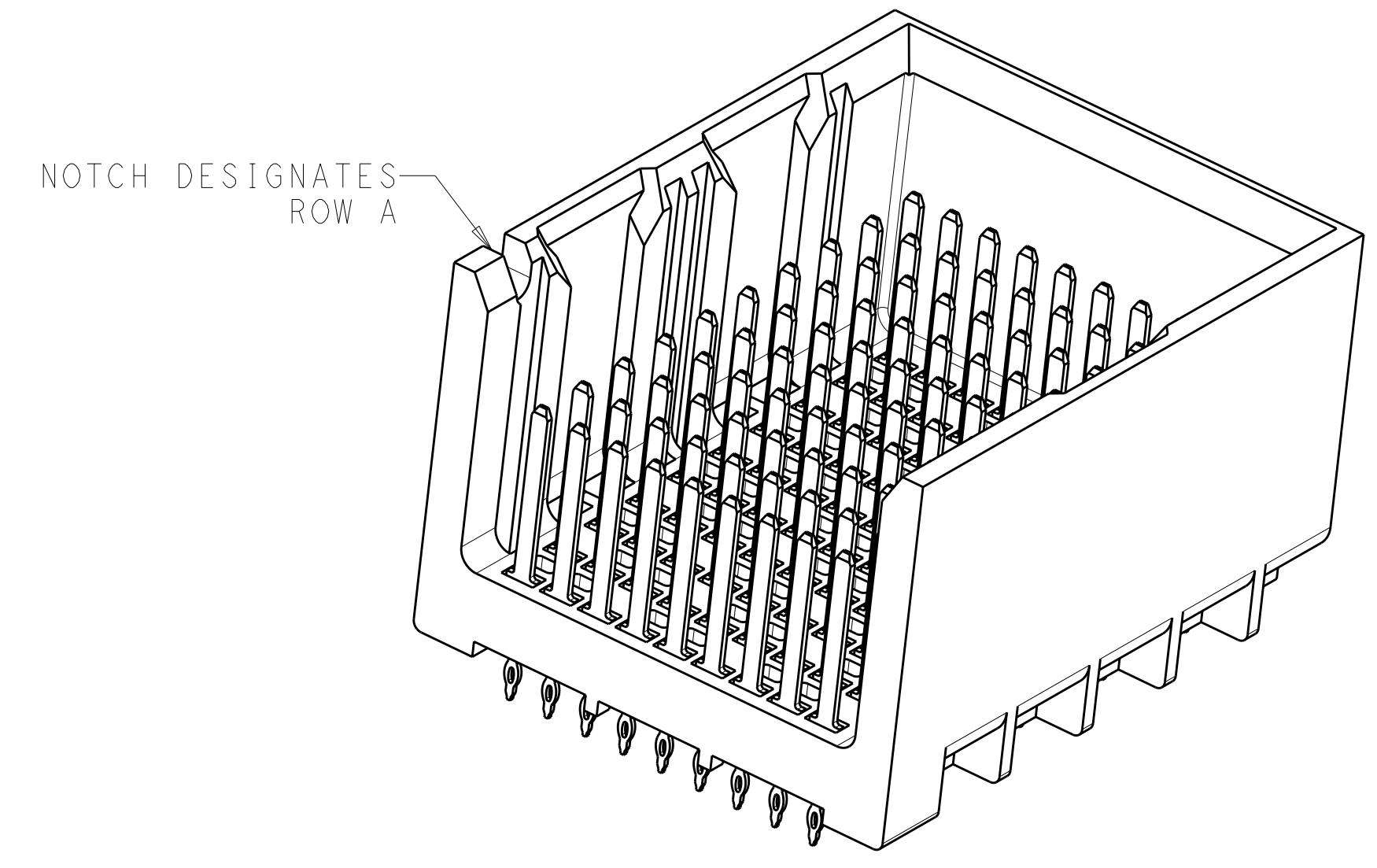
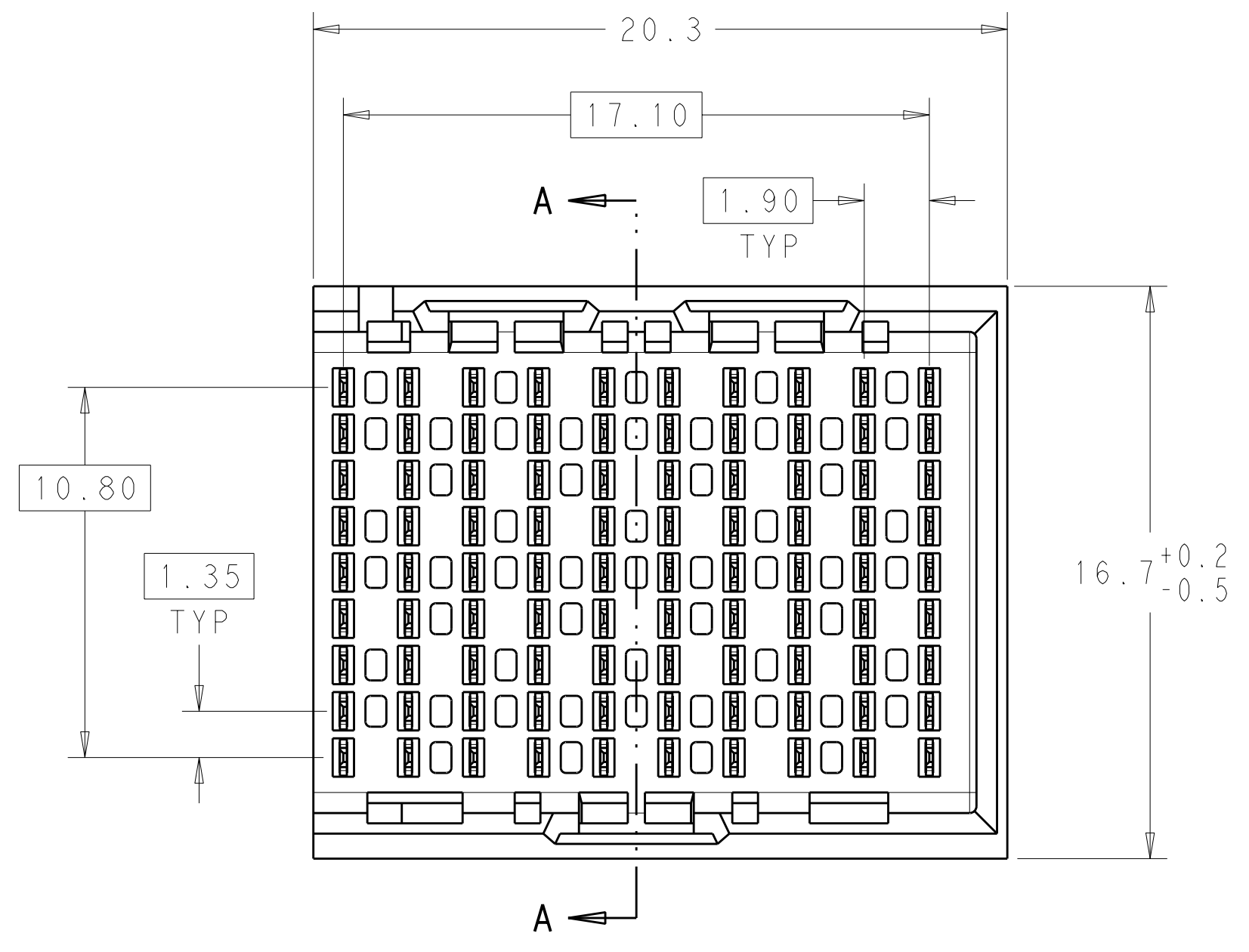
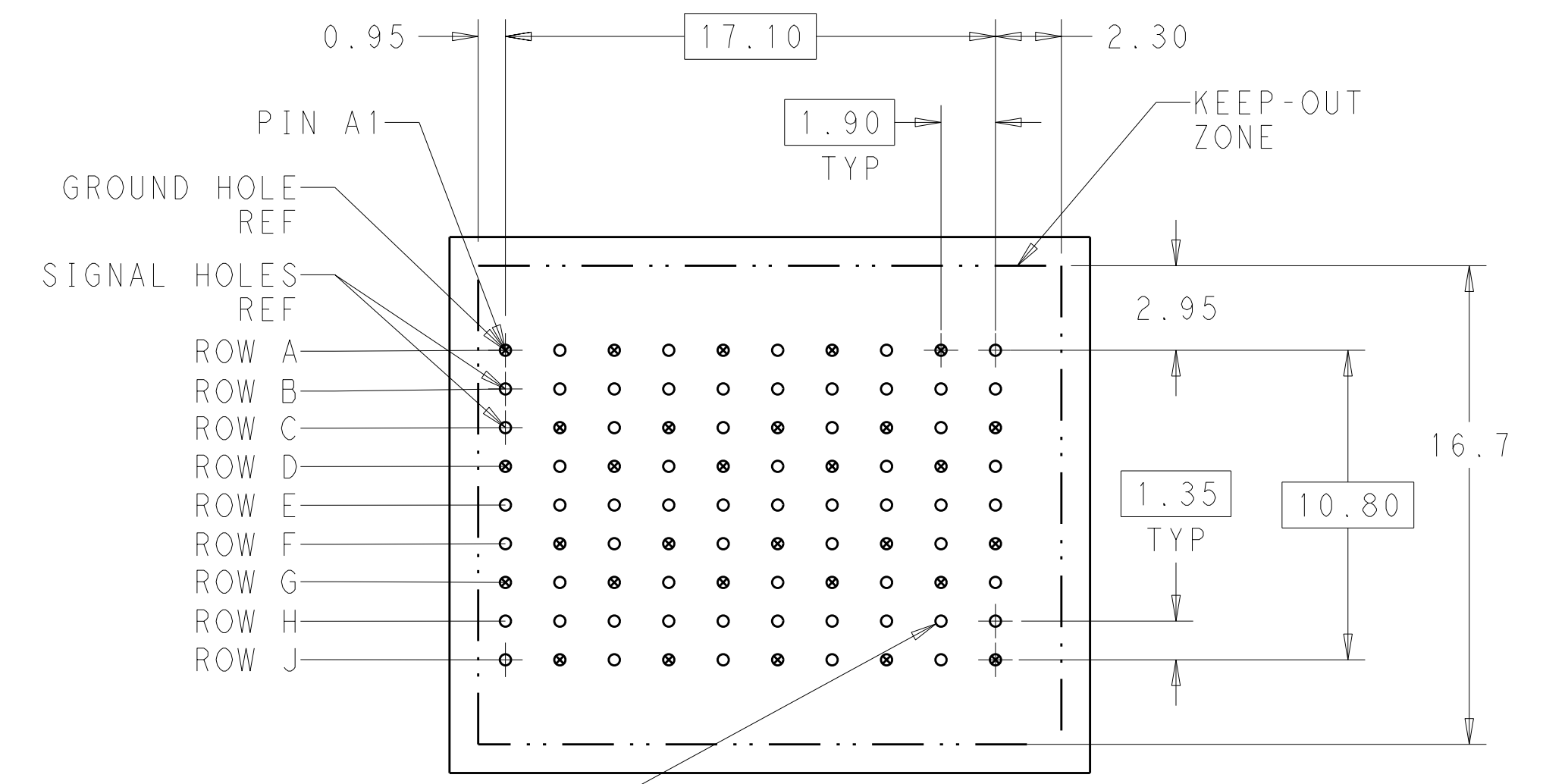


LOC		DIST		REVISIONS			
AD	00	P	LT#	DESCRIPTION	DATE	DWN	APVD
		B		REVISED PER ECO-11-025276	22DEC11	KH	DY

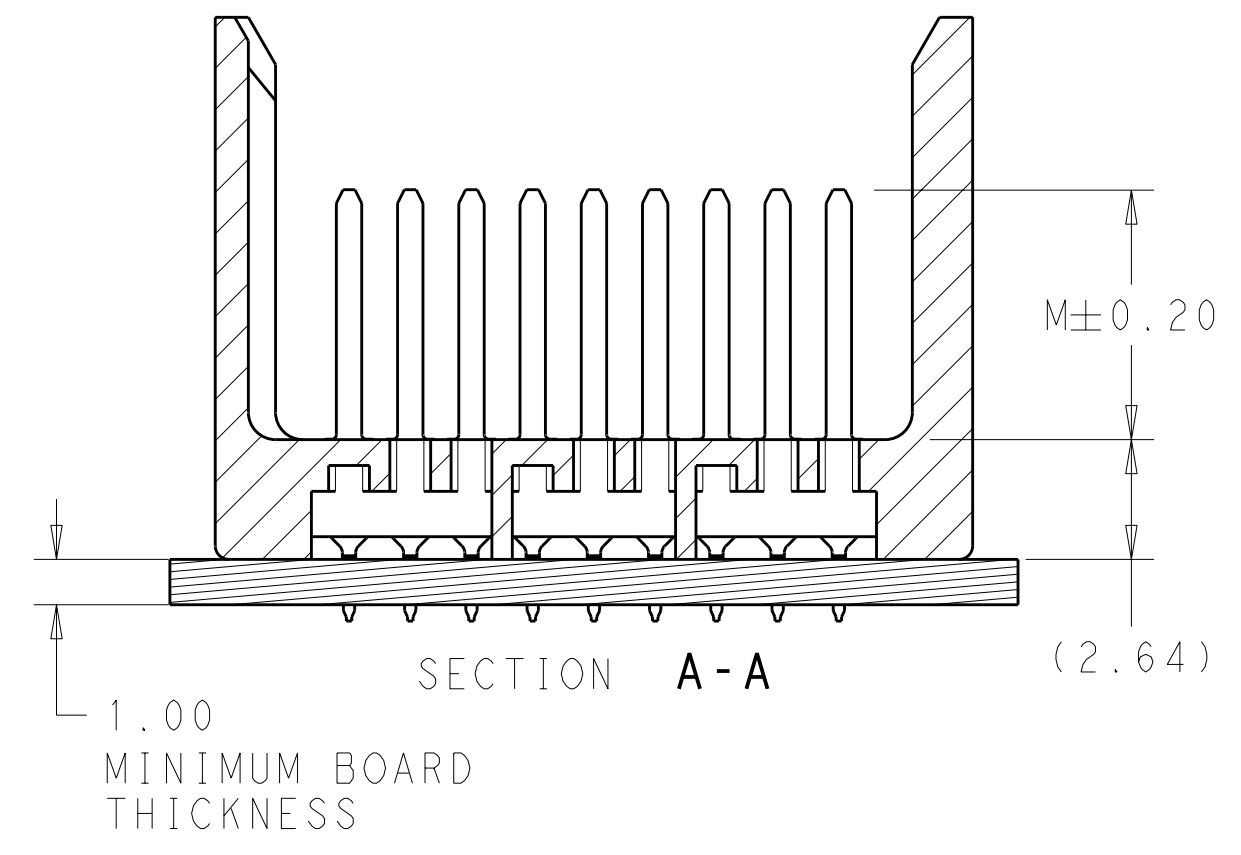
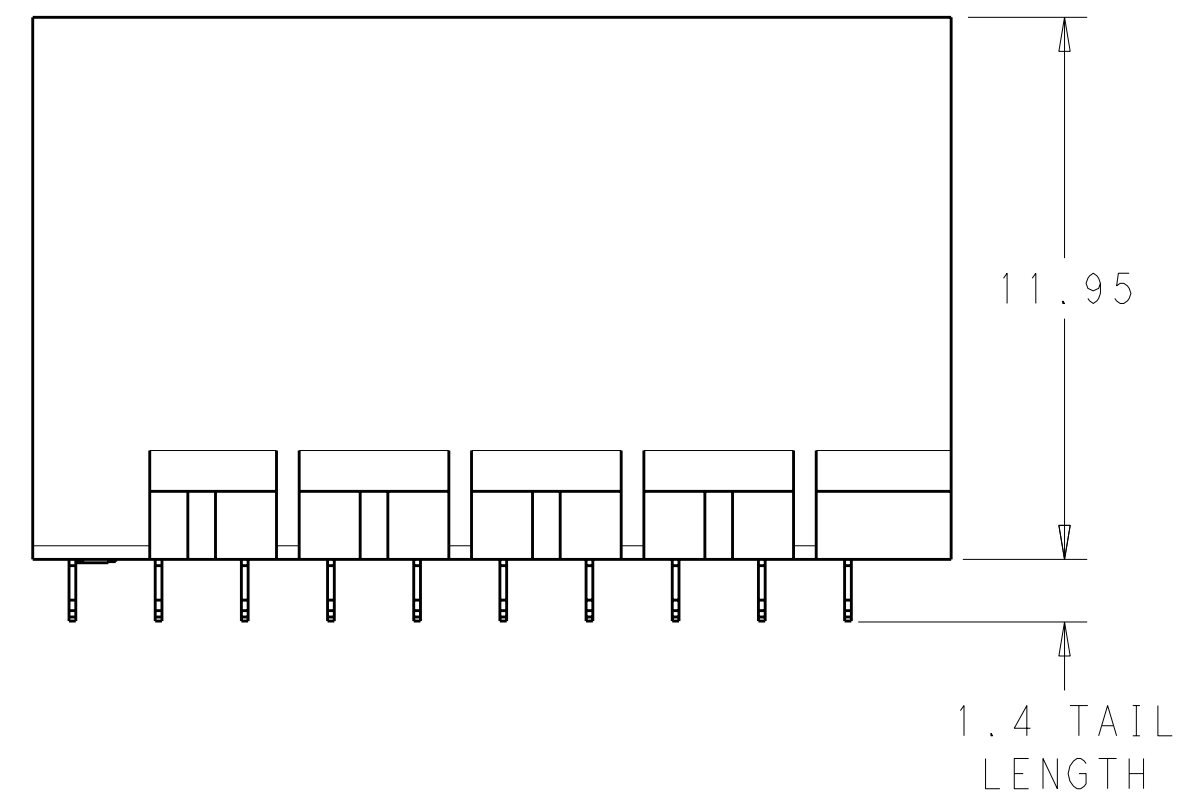


- 1 MATERIAL:
HOUSING: LCP, GLASS FILLED, UL94V-0.
TERMINALS: HIGH PERFORMANCE COPPER ALLOY.
- 2 FINISH:
30µ" MIN GOLD IN CONTACT AREA. SELECTIVE TIN
ON PCB TAILS, NICKEL OVERALL.
- 3 FINISH:
30µ" MIN GOLD IN CONTACT AREA. SELECTIVE TIN-LEAD
ON PCB TAILS, NICKEL OVERALL.



90X $\varnothing 0.39 \pm 0.05$
 $\varnothing 0.10$
 PLATED THRU HOLE

UNGUIDED
 BACKPLANE HOLE PATTERN
 (CONNECTOR SIDE)



THIS DRAWING IS A CONTROLLED DOCUMENT.		DWN J. K. SHOBER 21DEC2010	TE Connectivity
DIMENSIONS: mm		CHK J. EARY 21DEC2010	
TOLERANCES UNLESS OTHERWISE SPECIFIED: 9 PLC ± 1 PLC ±0.25 2 PLC ±0.13 3 PLC ± 4 PLC ± ANGLES ± FINISH SEE TABLE		APVD J. EARY 21DEC2010	NAME IMPACT, 3 PAIR, 10 COLUMN, HEADER UNGUIDED, RIGHT END WALL SIGNAL MODULE, 0.39 PTH
MATERIAL		PRODUCT SPEC	SIZE CAGE CODE DRAWING NO RESTRICTED TO
		APPLICATION SPEC	A100779C=2007791
		WEIGHT	CUSTOMER DRAWING
		SCALE 6:1	SHEET 1 OF 2 REV B

THIS DRAWING IS UNPUBLISHED. RELEASED FOR PUBLICATION 20
 © COPYRIGHT 20 . . . ALL RIGHTS RESERVED.

LOC	DIST	REVISIONS				
AD	00	P	LTG	DATE	DWN	APVD
		-	-	SEE SHEET 1	-	-

\triangle_3	5.5	2007791-6
\triangle_3	4.9	2007791-5
\triangle_3	4.5	2007791-4
\triangle_2	5.5	2007791-3
\triangle_2	4.9	2007791-2
\triangle_2	4.5	2007791-1
FINISH	DIM M	PART NUMBER

REFER TO WWW.TE.COM
 FOR PRODUCT AVAILABILITY

THIS DRAWING IS A CONTROLLED DOCUMENT.		DWN J. K. SHOBER 21DEC2010		
DIMENSIONS: mm		CHK J. EARY 21DEC2010		
TOLERANCES UNLESS OTHERWISE SPECIFIED: 9 PLC ± 7 PLC ±0.25 5 PLC ±0.13 4 PLC ± ANGLES ±		APVD J. EARY 21DEC2010	NAME IMPACT, 3 PAIR, 10 COLUMN, HEADER UNGUIDED, RIGHT END WALL SIGNAL MODULE, 0.39 PTH	
MATERIAL -		FINISH SEE TABLE	PRODUCT SPEC -	APPLICATION SPEC -
WEIGHT -		CUSTOMER DRAWING	SIZE A100779	CAGE CODE C=2007791
SCALE 5:1		SHEET 2	OF 2	REV B