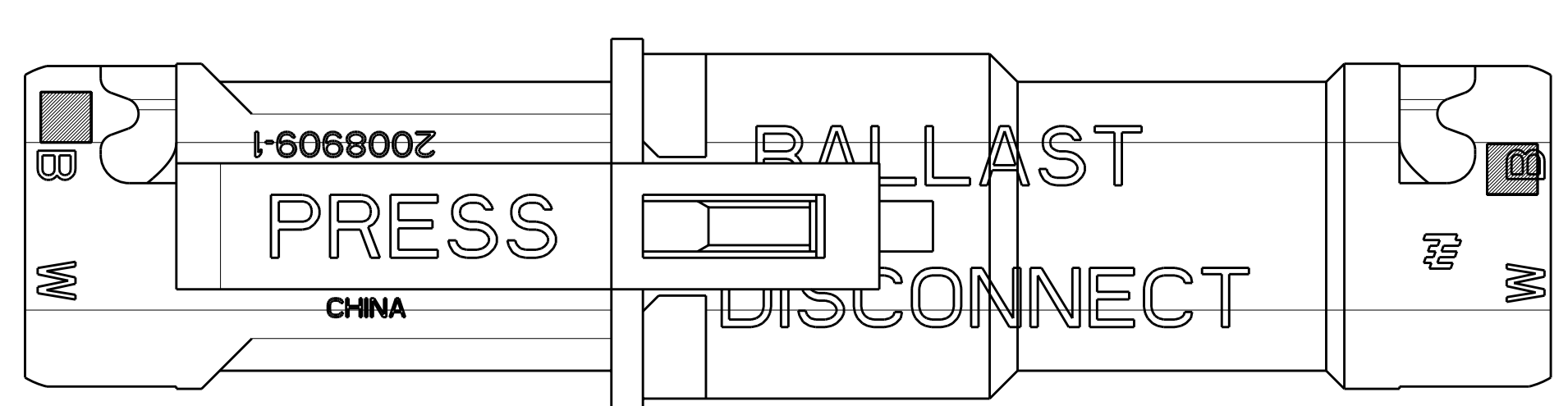
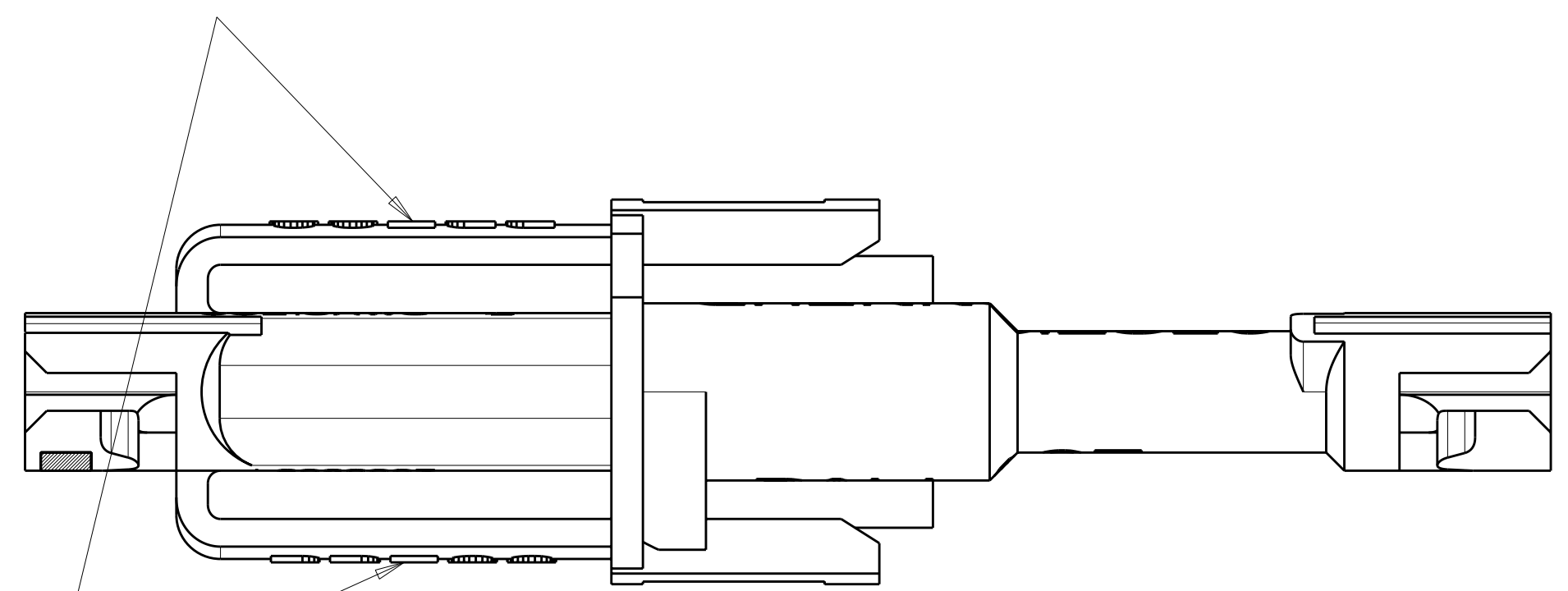
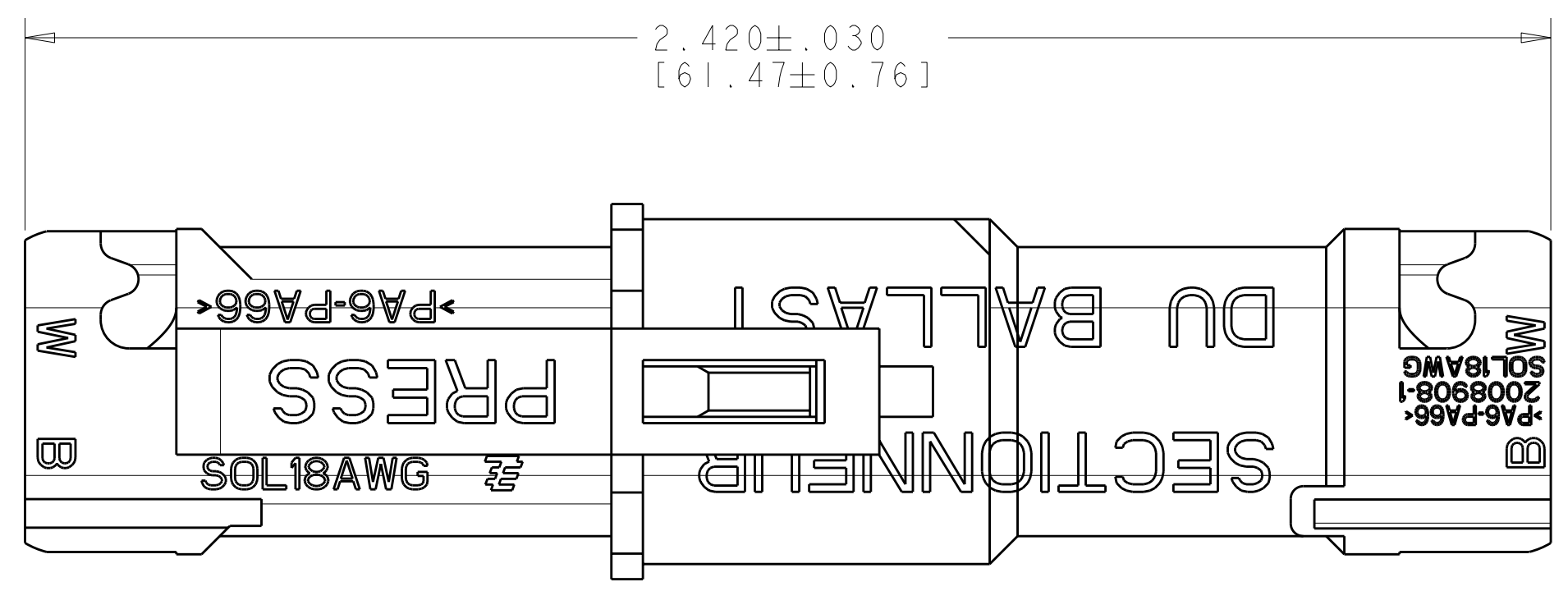
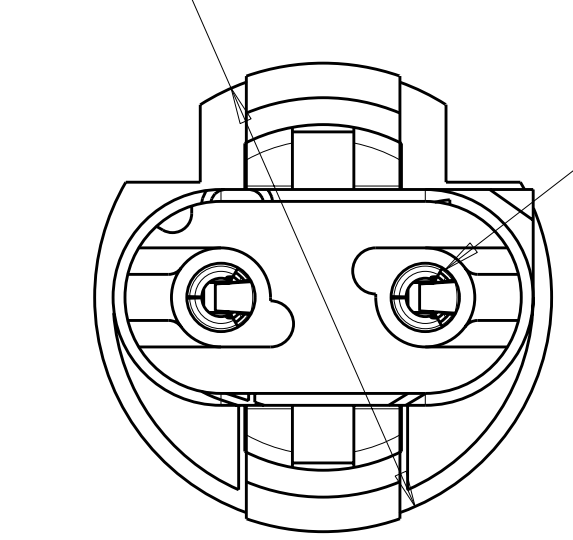


LOC	DIST	REVISIONS			
REV	DATE	DESCRIPTION	DATE	DWN	APVD
AF	50	A	REVISED PER ECR-09-020882	05OCT2009	HMR DD

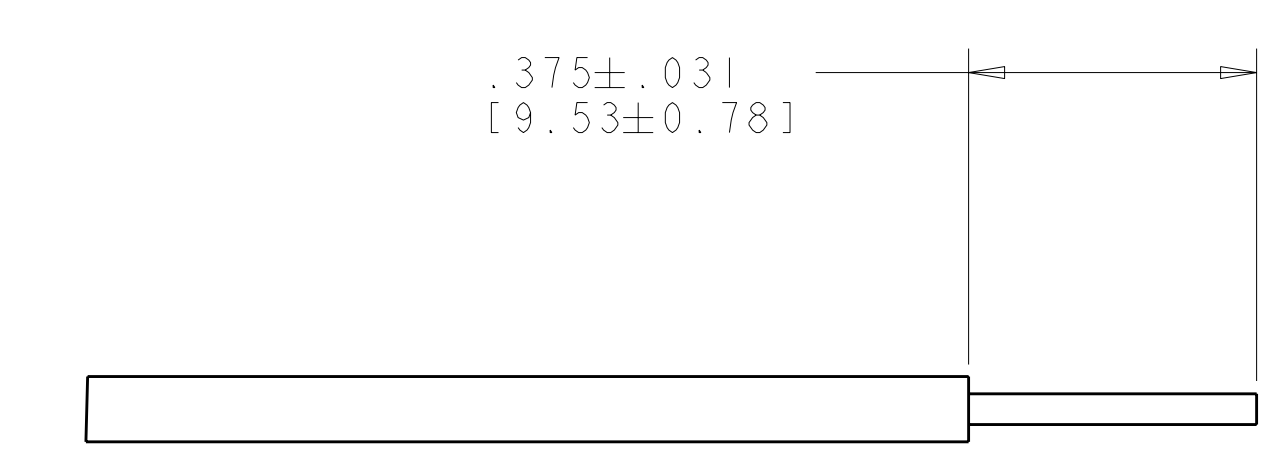


Ø .595±.010  
[15.11±0.25]

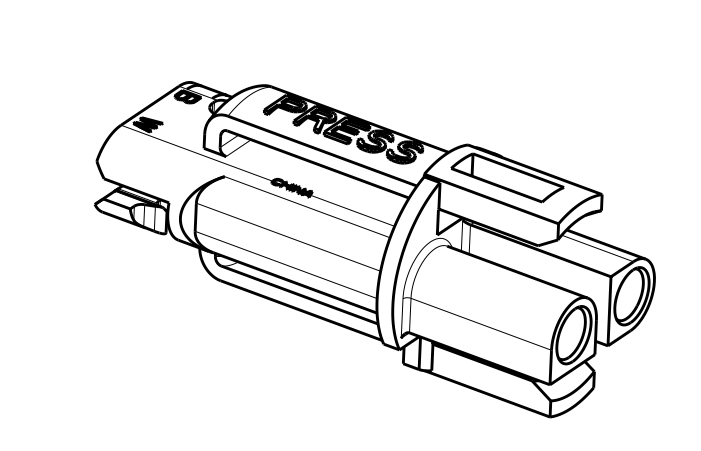


ACCEPTS 18 AWG SOLID WIRE  
WITH .086 [2.18] MAX INSULATION DIAMETER  
BOTH CONNECTORS

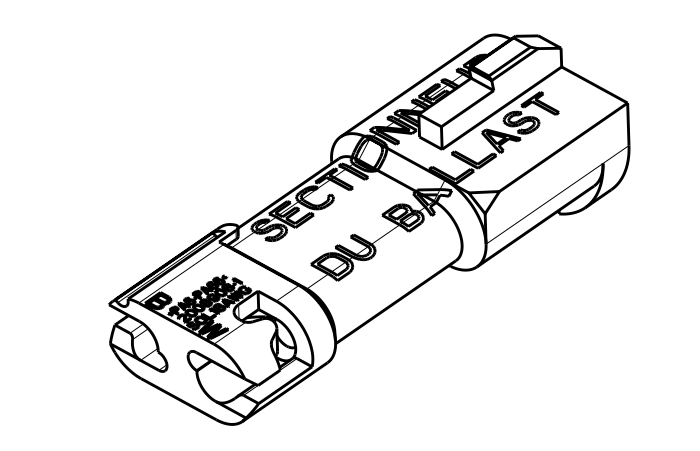
- △ MATERIAL:  
HOUSINGS: POLYAMIDE, COLOR: ORANGE  
CONTACTS: PHOSPHOR BRONZE  
INK: BLACK
- △ FINISH:  
CONTACTS: TIN PLATED
- 3. SEE INSTRUCTION SHEET 408-10153
- △ THIS PRODUCT HAS NOT COMPLETED  
VALIDATION TESTING.



RECOMMENDED WIRE STRIP LENGTH



PLUG CONNECTOR ASSEMBLY



RECEPTACLE CONNECTOR ASSEMBLY

2008910-1  
PART NUMBER

<small>THIS DRAWING IS UNPUBLISHED. RELEASED FOR PUBLICATION BY TYCO ELECTRONICS CORPORATION. ALL RIGHTS RESERVED.</small> <small>THIS IS SUBJECT TO CHANGE WITHOUT NOTICE AND WITHOUT OBLIGATION. TYCO ELECTRONICS CORPORATION SHALL BE CONTACTED FOR THE LATEST REVISION.</small>		DWN S. GURURAJ 17JAN2008 CHK MCCARTHY 17JAN2008 APVD -	Tyco Electronics Harrisburg, PA 17105-3608
DIMENSIONS: IN [mm]	TOLERANCES UNLESS OTHERWISE SPECIFIED: 9 PLC ± 1 PLC ± 2 PLC ± 3 PLC ± 4 PLC ± ANGLES ± FINISH ±	PRODUCT SPEC 108-2275 APPLICATION SPEC 114-13204 WEIGHT - CUSTOMER DRAWING	NAME ASSEMBLY, MATED PAIR, 2 POSITION PLUG AND RECEPTACLE PT, LIGHT-N-LOK SIZE CAGE CODE DRAWING NO. RESTRICTED TO A100779C=2008910 SCALE 2:1 SHEET 1 OF 1 REV A