

4

3

2

1

THIS DRAWING IS UNPUBLISHED.

RELEASED FOR PUBLICATION

LOC

DIST

REVISIONS

© COPYRIGHT - BY TYCO ELECTRONICS CORPORATION. ALL INTERNATIONAL RIGHTS RESERVED.

FT

0

P

LTR

DESCRIPTION

DATE

DWN

APVD

A1

REVISED PER ECO-08-030785

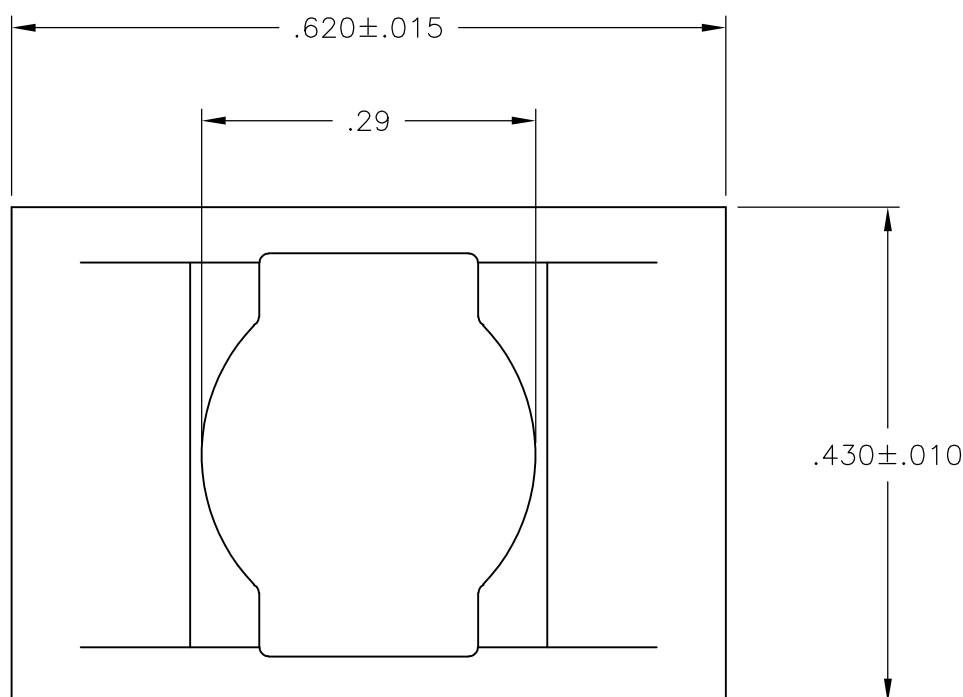
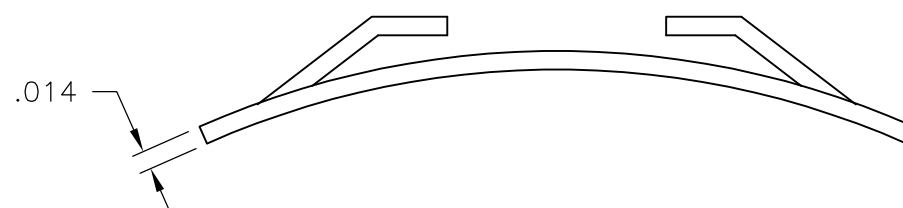
10DEC08

HMR

SM



MATERIAL: HIGH CARBON SPRING STEEL.



THIS DRAWING IS A CONTROLLED DOCUMENT.

DWN S SCHLEGEL 11/19/03

CHK S YODER 11/19/03

APVD S YODER 11/19/03

PRODUCT SPEC

APPLICATION SPEC

WEIGHT -

CUSTOMER DRAWING



Tyco Electronics Corporation
Harrisburg, PA 17105-3608

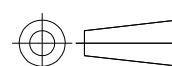
OBSCLETE
NOT the LATEST REVISION

SPEED NUT, PUSH ON TYPE

SIZE A3 CAGE CODE 00779 DRAWING NO. C-1437661-7 RESTRICTED TO

SCALE NTS SHEET 1 OF 1 REV A1

DIMENSIONS:
INCHES



TOLERANCES UNLESS OTHERWISE SPECIFIED:

- 0 PLC ± -
- 1 PLC ± -
- 2 PLC ± .02
- 3 PLC ± .005
- 4 PLC ± -
- ANGLES ± 1°

MATERIAL



FINISH -