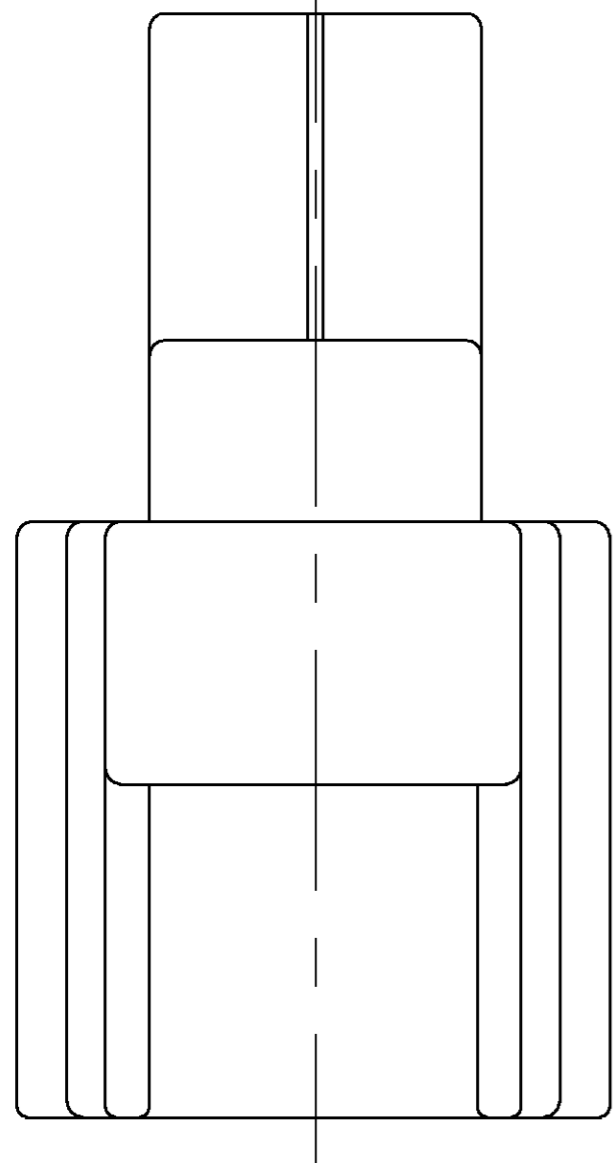
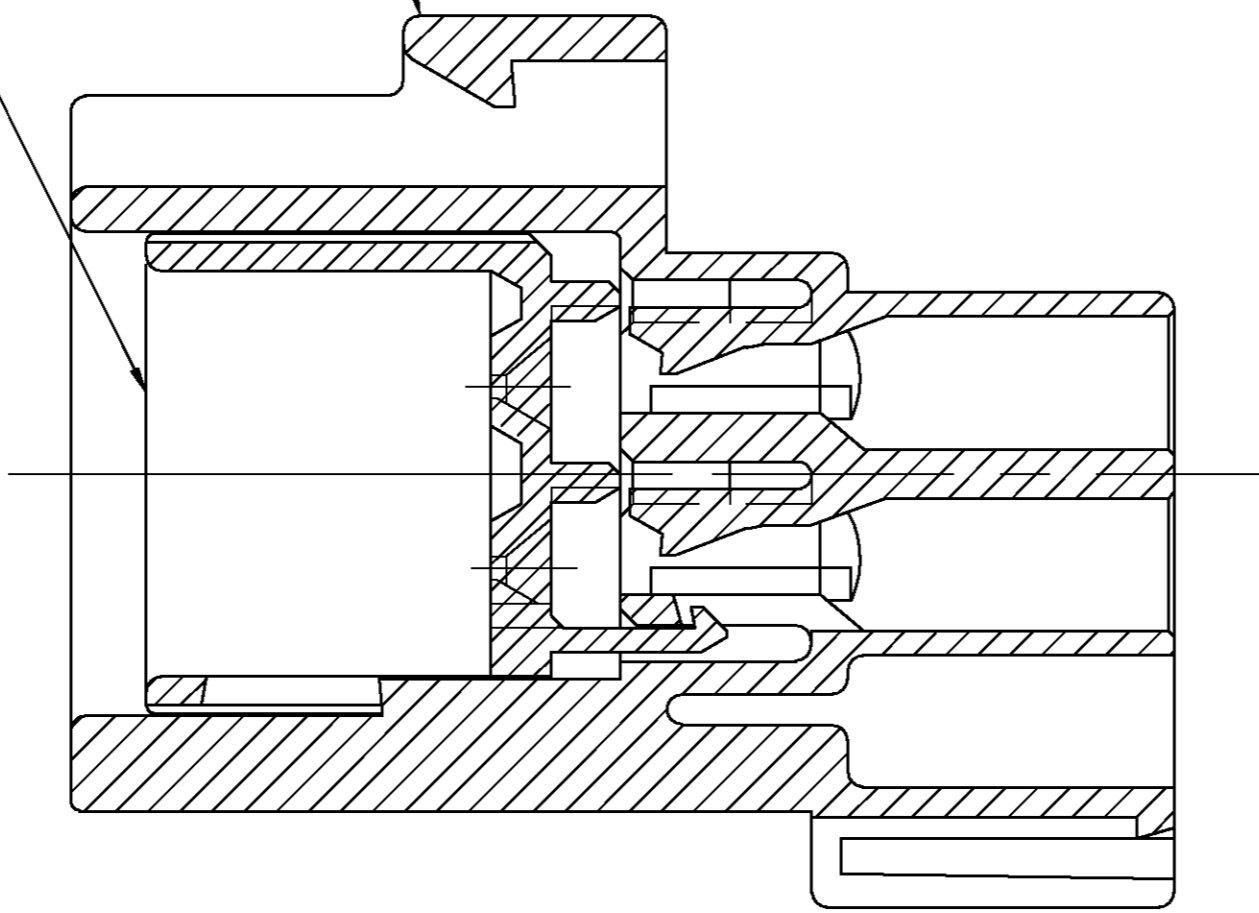


THIS DRAWING IS UNPUBLISHED. RELEASED FOR PUBLICATION  
 © COPYRIGHT BY TYCO ELECTRONICS CORPORATION. ALL RIGHTS RESERVED.

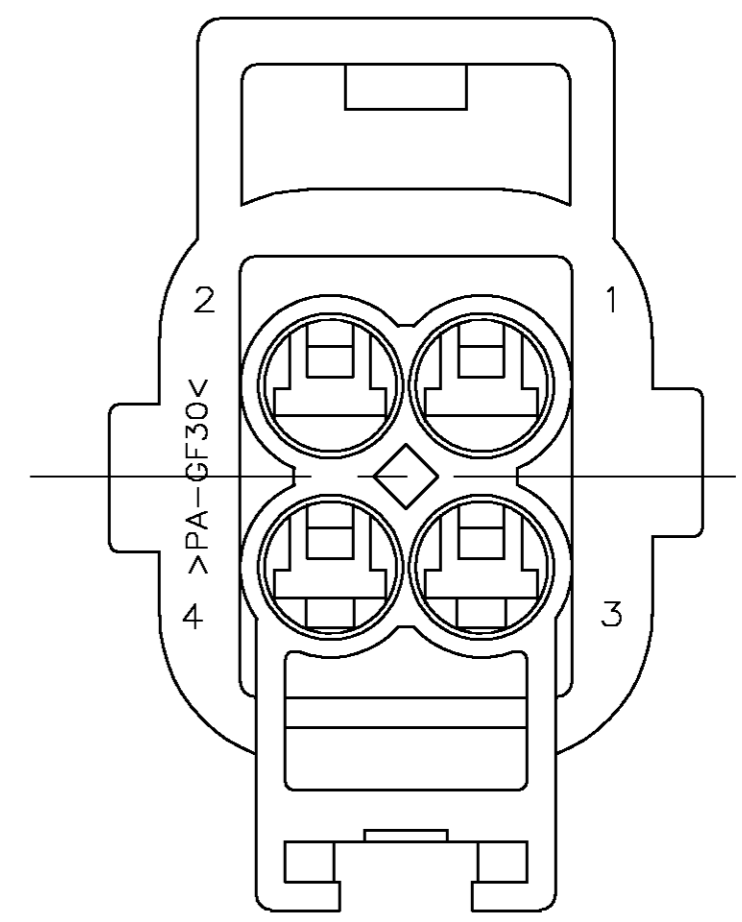
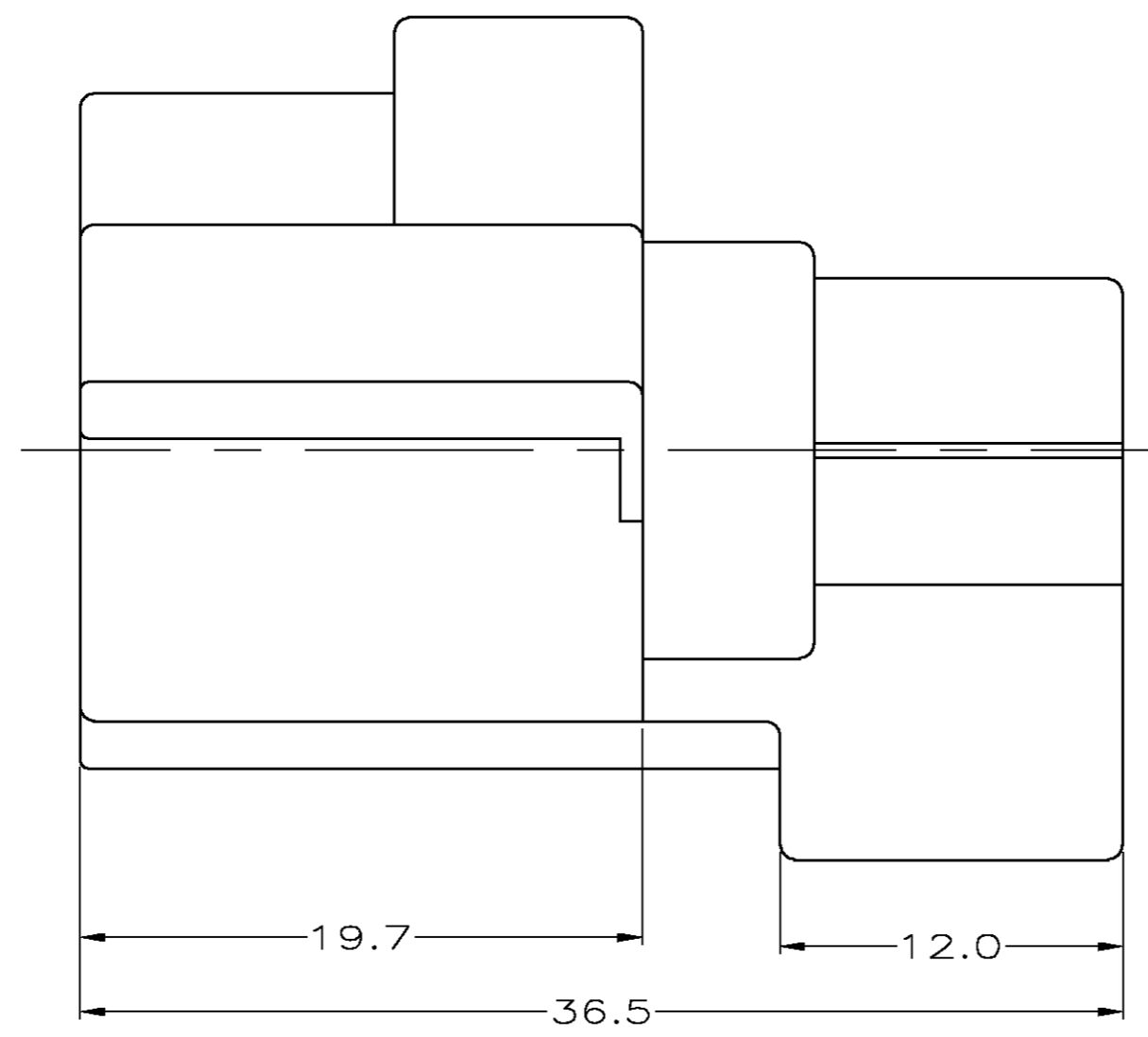
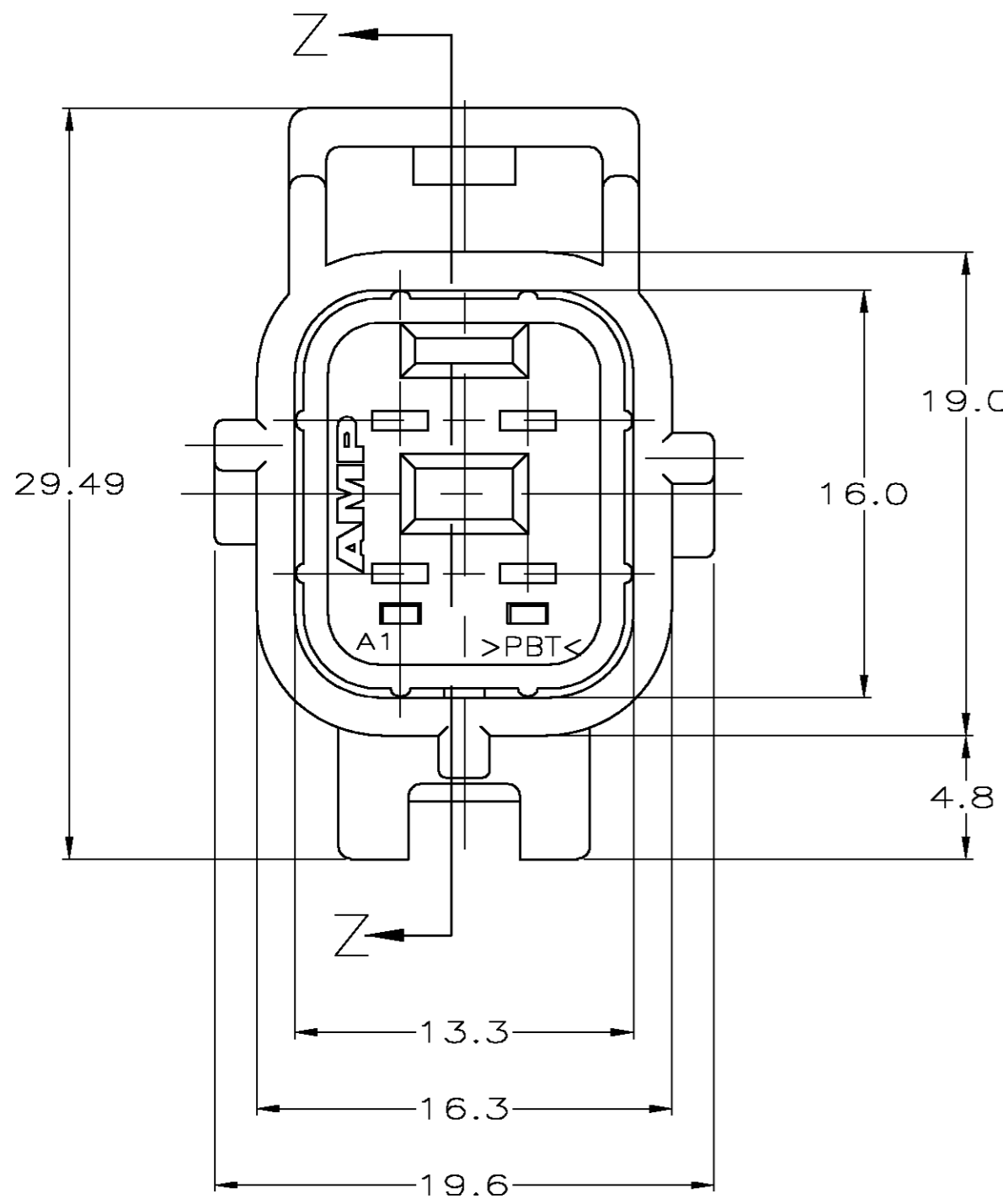
LOC	DIST	REVISIONS					
GE	00	P	LTR	DESCRIPTION	DATE	DWN	APVD
		D		EC 0K40-0014-03	03FEB03	JRB	KLC



DBL LOCK PLATE, CAP  
 MATL: PBT, 15% GLASS FILLED  
 CAP HOUSING  
 MATL: 4/6 NYLON, 30% GLASS FILLED



SECTION Z-Z  
 SCALE 4:1



BLACK	184246-1
CAP COLOR	PART NUMBER

THIS DRAWING IS A CONTROLLED DOCUMENT.		DWN	K LYTLE	04/18/96	Tyco Electronics Corporation Harrisburg, PA 17105-3608
DIMENSIONS: MM		CHK	CT HYRB	04/26/96	
TOLERANCES UNLESS OTHERWISE SPECIFIED:		APVD	CT HYRB	04/26/96	
0 PLC ± - 1 PLC ± 0.3 2 PLC ± 0.30 3 PLC ± - 4 PLC ± - ANGLES ± - FINISH -		PRODUCT SPEC	NAME		
MATERIAL		APPLICATION SPEC		2 x 2 CAP ASY, KEY A-C4	
		WEIGHT	A2 00779 C=184246		RESTRICTED TO
CUSTOMER DRAWING		SCALE	4:1	SHEET	1 OF 1
		REV	D		

184246-1