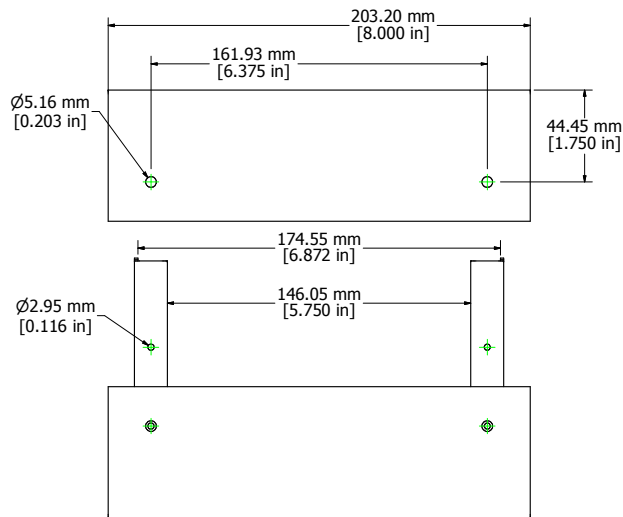
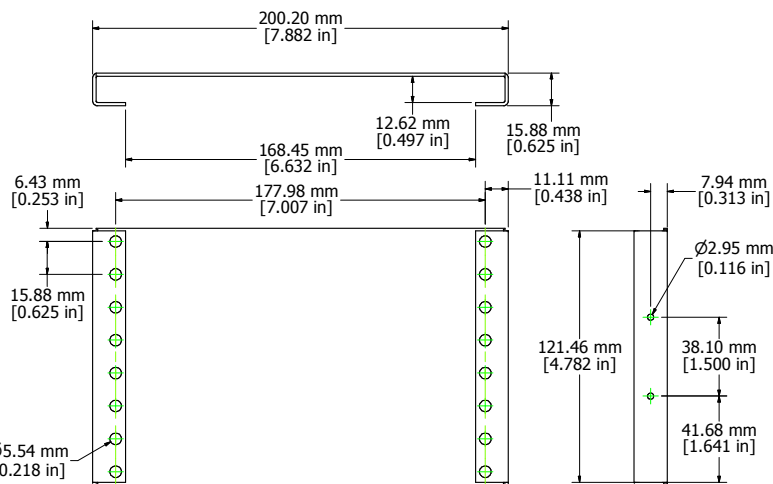
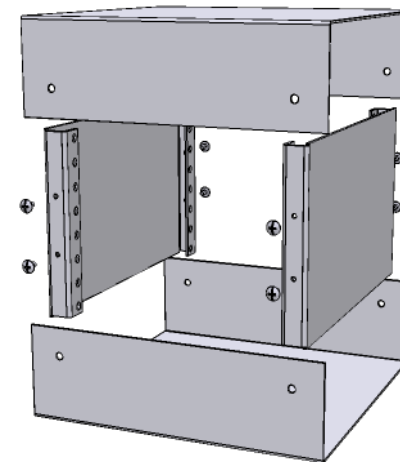


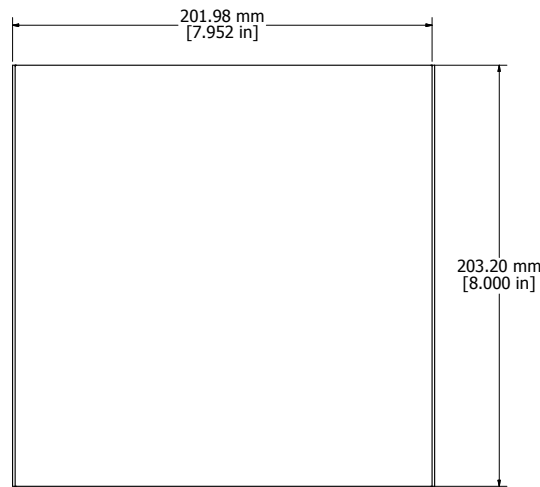
ASSEMBLY - END VIEW (OPEN)



ASSEMBLY - SIDE VIEW (OPEN)



END PLATES



BOTTOM/TOP OF ENCLOSURE

Enclosures can be Factory Modified ( Milling, Drilling, Printing etc. )  
 Contact Factory [mjm@hammondmfg.com](mailto:mjm@hammondmfg.com) for quotes  
 Solid models of this enclosure available in STEP or IGES.

1458D5	
<b>Top/Bottom - 20 ga. Steel</b>	
Powder Coated Black RAL 9011 - <b>1458D5</b>	
Powder Coated Gulf Blue RAL 5021 - <b>1458D5B</b>	
<b>Front/Rear Panels - .064 Aluminum</b>	
1- Black RAL 9011	1- Grey RAL 7032
8 Screws Self Tapping 632 Philips Nickel Plated	
4 Self Adhesive Rubber Feet Included	
Replacement Screws - 1421-J6 (6 pcs.)	



**HAMMOND  
 MANUFACTURING™**

**1458D5**

[www.hammondmfg.com](http://www.hammondmfg.com)