

Signature	Revision History	Date	Rev.
G.Chen	Release DIGITUS format drawing	May/04/2011	01

1

2

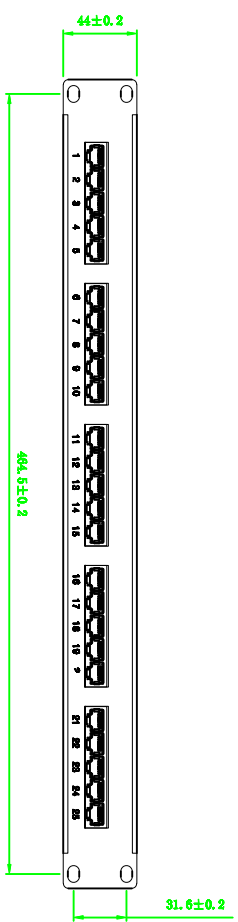
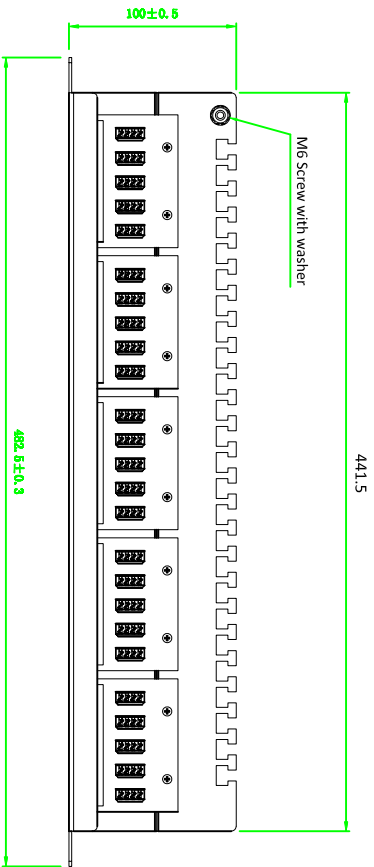
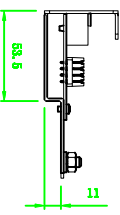
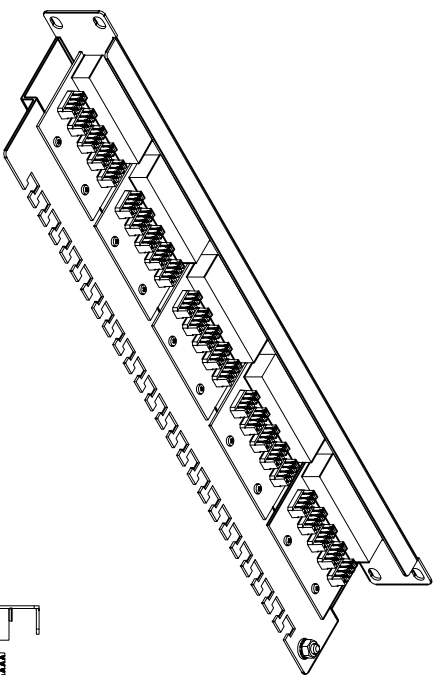
3

4

5

6

7



Specification:

Material:

1. Panel: SPCC, 1.5mm Thickness with Black or Grey color painted.
2. RJ45 Jack:
 - 2-1. Housing: PBT, UL 94V-0.
 - 2-2. Contact Bracket: PBT, UL 94V-0.
3. RJ45 Jack Contact:
 - 3-1. Material: Phosphor Bronze with Nickel plated.
 - 3-2. Finish: 6 micro-inch Gold plated on plug contact area.
4. IDC: KRONE Type
 - 4-1. Housing PC, UL 94V-0.f
 - 4-2. Terminal: Phosphor Bronze with Tin plated.
5. PCB: FR4, 1.6mm thickness, UL 94V-0.

Performance:

- A. Contact Resistance: Normal Barometric no more than 2.5MΩ
 B. Insulation Resistance: Normal Barometric no more than 1000MΩ
 C. Dielectric Strength: DC 1000V (AC 700V), No Arc-over & Puncture in one minute
 D. Life(mating cycles):
 * Jack: 750 cycles min. (ISO/IEC 11801, IEC 60603-7-5)
 * IDC: 200 cycles min. Suitable for wire diameter 0.4-0.6mm, compatible with Krone punch down tool
 E. Accessories:
 Drain wire: Length 280mm, Dia:3.5mm, M6 screw with washer
 Mount screws: 8# * 4, 10# * 4
 F. Panel printed with DIGITUS Professional logo, each pcs packed in DIGITUS gift-box

1

2

3

4

5

6

7

Part No.		DN-91325-1	
Drawn By	May 4, 2011	Name	G.Chen
Checked By	May 4, 2011	Approved By	Andreas.N
Date		Title:	
Date		DIGITUS CAT.3 ISDN PATCH PANEL	
Date		25 PORTS RJ45 SOCKET USA 1U	



Scale	N/A	Sheet	1/1
Unit	MM		

57802380

1

2

3

4

5

6

7

A B C D E F G H