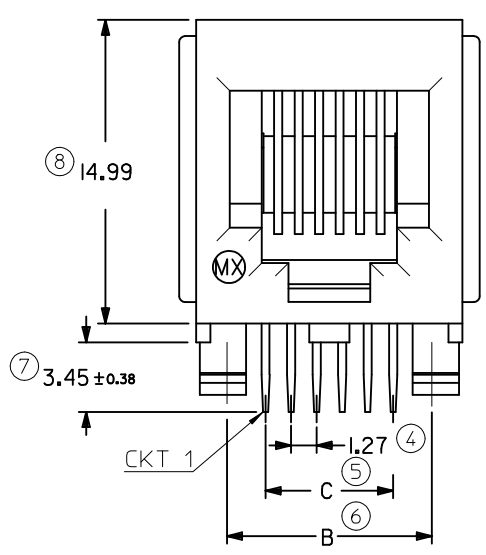
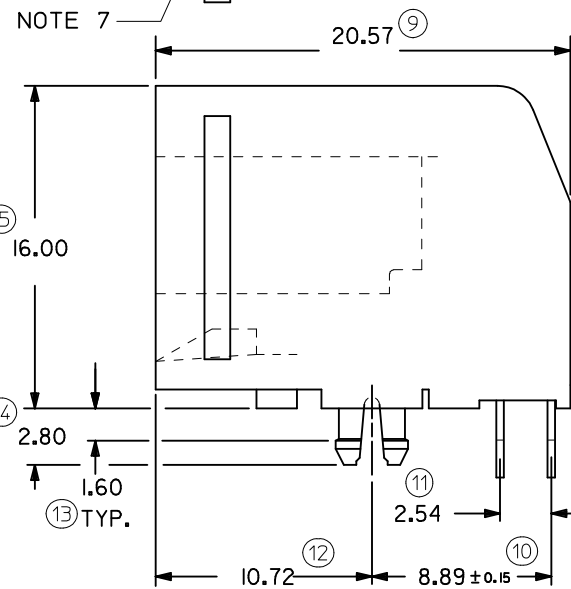
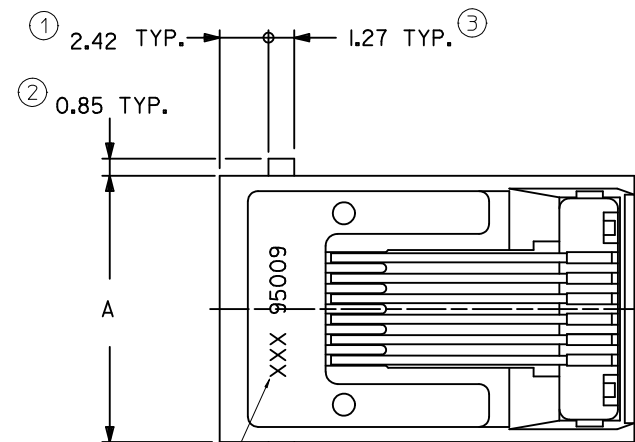
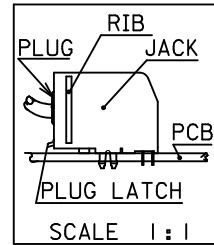


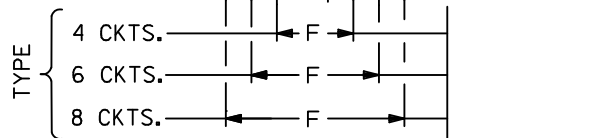
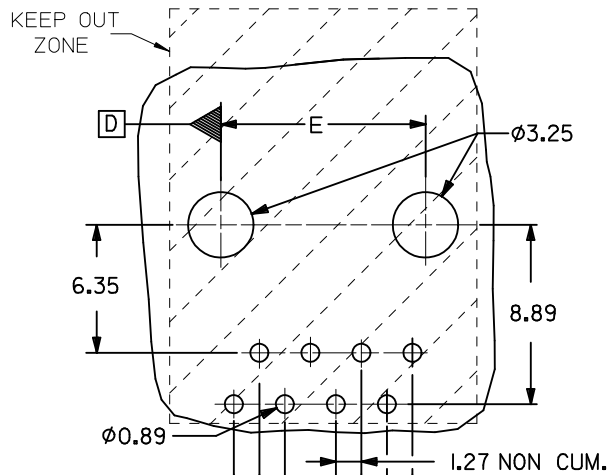
**NOTES :**

1- MATERIAL : POLYESTER FIBER GLASS FILED 94-V-0  
 COLOR BLACK .  
 TERMINAL : COPPER ALLOY.  
 PLATINGS : BASE FINISH: NICKEL  
 CONTACT SURFACE FINISH:  
 GOLD  
 OR  
 GOLD FLASH OVER PALLADIUM NICKEL.  
 EXCEEDS PRODUCT REQUIREMENTS BASED ON PS-95009-001

2- PC BOARD THICKNESS : 1.57  
 3- JACK FOR MATING WITH IEC-60603-7 AND TIA-1096-A  
 MOLEX 90075 SERIES PLUGS  
 4- PRODUCT SPECIFICATION PS-95009-001.  
 5- APPLICATION SPECIFICATION AS-95001.  
 6- PACKAGING SPECIFICATION PK-95029.  
 7- MANUFACTURING ID CAN BE MXF, MG OR MXI.  
 INSPECTION NUMBERS USED: 1 - 50  
 LAST INSPECTION NUMBER: 15



**MOUNTING HOLE PATTERNS**  
 (SEE FROM COMPONENT SIDE)



$\pm 0.10$  D

ALL DIMENSIONS REF DIMENSIONS

REV	DESCRIPTION
K	APPR:EFOLAN 2012/05/03
	CHKD:SMCGREEVEY 2012/04/27
	DRWN:DBYRNES 2012/04/27
	EC NO: IPG2012-0807
	EDITED NOTES

QUALITY SYMBOLS	GENERAL TOLERANCES (UNLESS SPECIFIED)
$\nabla = 0$	mm INCH
$\nabla C = 0$	4 PLACES ± --- ± ---
	3 PLACES ± --- ± ---
	2 PLACES ± 0.25 ± ---
	1 PLACE ± 0.35 ± ---
	ANGULAR ± 1/2°
	DRAFT WHERE APPLICABLE MUST REMAIN WITHIN DIMENSIONS

DIMENSION STYLE		SCALE	DESIGN UNITS	THIRD ANGLE PROJECTION
MM ONLY		4:1	METRIC	
DRAWN BY	DATE	TITLE		
DP	86/10/23	FLUSH MOUNT RIGHT ANGLE MODULAR JACK ASSEMBLY THROUGH HOLE VERSION		
CHECKED BY	DATE	MOLEX INCORPORATED		
APPROVED BY	DATE	MATERIAL NO. SEE CHART SHT 2		
MATERIAL NO.		DOCUMENT NO.	SHEET NO.	
SIZE A3		SDA-95009-F	1 OF 2	

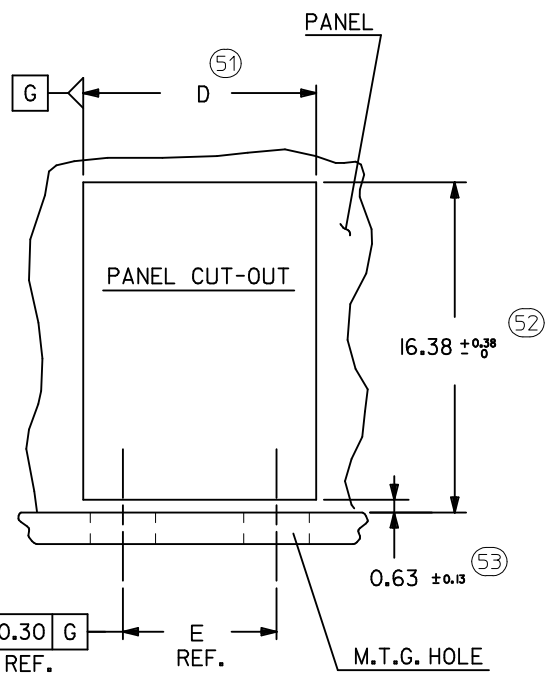
THIS DRAWING CONTAINS INFORMATION THAT IS PROPRIETARY TO MOLEX INCORPORATED AND SHOULD NOT BE USED WITHOUT WRITTEN PERMISSION				
---	--	--	--	--

PART NUMBERS FOR JACK 1 RIB .

	TYPE	POS. 4	TOOLED	POS. 6	TOOLED	POS. 6	TOOLED	POS. 8	TOOLED
		4 CKTS.	X	4 CKTS.	X	6 CKTS.	X	8 CKTS.	X
	FINISH 7	95009-7441	X	95009-7641	X	95009-7661	X	95009-7881	X

PART NUMBERS FOR JACK NO RIB.

	TYPE	POS. 4	TOOLED	POS. 6	TOOLED	POS. 6	TOOLED	POS. 8	TOOLED
		4 CKTS.	X	4 CKTS.	X	6 CKTS.	X	8 CKTS.	X
	FINISH 7	95009-7447	X	95009-7647	X	95009-7667	X	95009-7887	X



TYPE	POS. 4	POS. 6		POS. 8
	4 CKTS.	4 CKTS.	6 CKTS.	8 CKTS.
DIM.				
A	11.18	13.21	13.21	15.24
B	7.62	10.16	10.16	11.43
C	3.81	3.81	6.35	8.89
D	$\pm 0.38$ -0	11.56	13.59	15.62
E	$\pm 0.10$	7.62	10.16	11.43
F	$\pm 0.10$	3.81	3.81	6.35
		3.81	6.35	8.89

NOTES:  
INSPECTION NUMBERS USED: 51 - 100  
LAST INSPECTION NUMBER: 53

ADDED PLATING OPTIONS EC NO: E2012-0040 DRWN: JOCONNOR 2011/04/07 CHKD: APPR: EFOLAN 2011/10/13	QUALITY SYMBOLS	GENERAL TOLERANCES (UNLESS SPECIFIED)	DIMENSION STYLE	SCALE	DESIGN UNITS	THIRD ANGLE PROJECTION
	$\nabla = 0$ $\nabla C = 0$	mm    INCH 4 PLACES $\pm$ --- $\pm$ --- 3 PLACES $\pm$ --- $\pm$ --- 2 PLACES $\pm 0.25$ $\pm$ --- 1 PLACE $\pm 0.35$ $\pm$ --- ANGULAR $\pm 1/2^\circ$	MM ONLY	4:1	METRIC	
		DRAFT WHERE APPLICABLE MUST REMAIN WITHIN DIMENSIONS	DRAWN BY: DP CHECKED BY: APPROVED BY: DATE: 87/04/22	TITLE: FLUSH MOUNT RIGHT ANGLE MODULAR JACK ASSEMBLY THROUGH HOLE VERSION MOLEX INCORPORATED		
			MATERIAL NO.: SEE CHART SIZE: A3	DOCUMENT NO.: SDA-95009-F SHEET NO.: 2 OF 2	THIS DRAWING CONTAINS INFORMATION THAT IS PROPRIETARY TO MOLEX INCORPORATED AND SHOULD NOT BE USED WITHOUT WRITTEN PERMISSION	