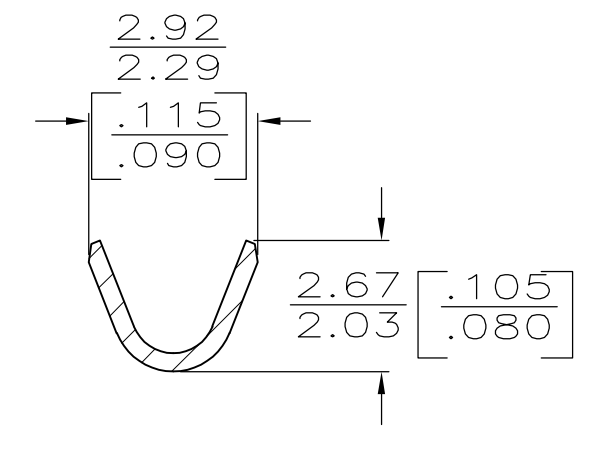
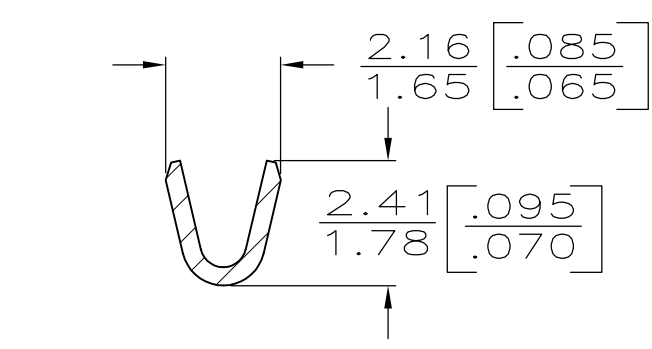
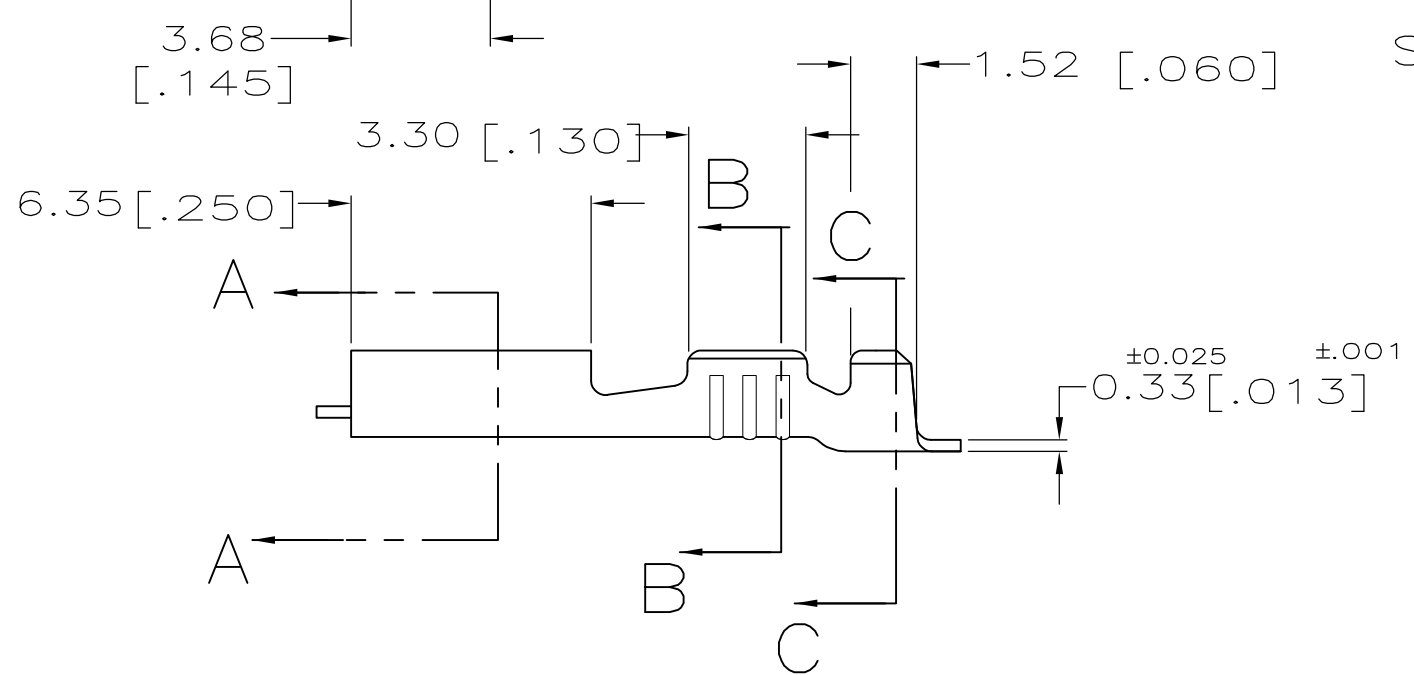
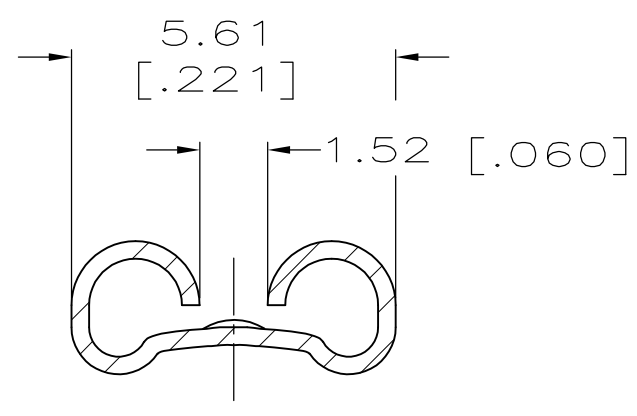
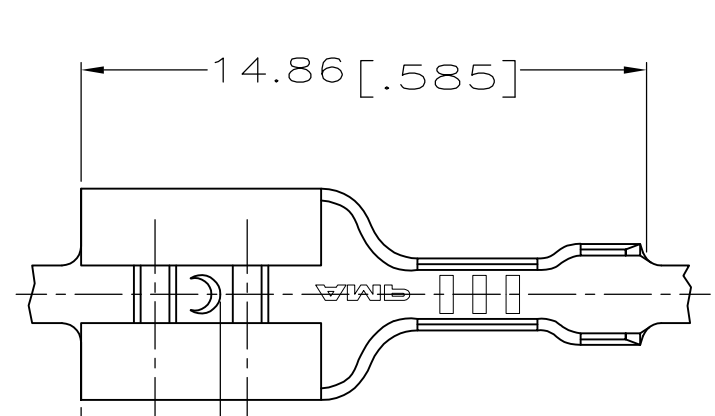


THIS DRAWING IS UNPUBLISHED. RELEASED FOR PUBLICATION
 © COPYRIGHT - By - ALL RIGHTS RESERVED.

LOC	DIST	REVISIONS			
P	LTR	DESCRIPTION	DATE	DWN	APVD
AF	50	F	REVISED PER ECR-12-002864	23MAY12	KH PD

- 1 CONTINUOUS STRIP ON REELS
- △ 2 AMP STAMP INFO:
P/N 62187-1 STAMPED AMP
P/N 62187-2 STAMPED AMP*
- △ 3 OBSOLETE PARTS: OBSOLETE CIS
STREAMLINING PER D.RENAUD/D.SINISI



1.02-1.78 DIA [.040-.070] DIA	0.2-0.5mm ² [24-20] AWG	T3 PHOS BRZ H04 BRASS	0.51 [.020]	△ 2 62187-2 △ 2 △ 3 62187-1
INSUL. RANGE	WIRE SIZE	MATERIAL	MATING TAB THK± 0.025 [.001]	PART NUMBER

THIS DRAWING IS A CONTROLLED DOCUMENT.		DWN JR RUTH 7/9/93	TE Connectivity RECEPTACLE, FASTON, 4.75 [.187] SERIES											
DIMENSIONS: mm [INCHES]		CHK MS FEHER 7/9/93												
TOLERANCES UNLESS OTHERWISE SPECIFIED:		APVD P DESANTIS 7/9/93												
<table border="0"> <tr><td>0 PLC</td><td>± -</td></tr> <tr><td>1 PLC</td><td>± -</td></tr> <tr><td>2 PLC</td><td>± 0.38 [.015]</td></tr> <tr><td>3 PLC</td><td>± -</td></tr> <tr><td>4 PLC</td><td>± -</td></tr> <tr><td>ANGLES</td><td>± -</td></tr> </table>		0 PLC				± -	1 PLC	± -	2 PLC	± 0.38 [.015]	3 PLC	± -	4 PLC	± -
0 PLC	± -													
1 PLC	± -													
2 PLC	± 0.38 [.015]													
3 PLC	± -													
4 PLC	± -													
ANGLES	± -													
MATERIAL SEE TABLE	FINISH TIN	APPLICATION SPEC -	SIZE A3	CAGE CODE 00779	DRAWING NO C-62187	RESTRICTED TO -								
CUSTOMER DRAWING			SCALE 5:1	SHEET 1 OF 1	REV F									