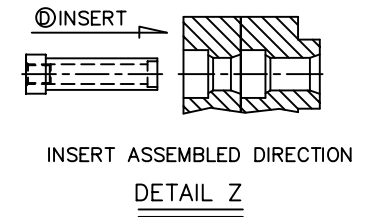
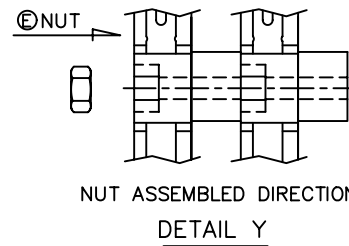
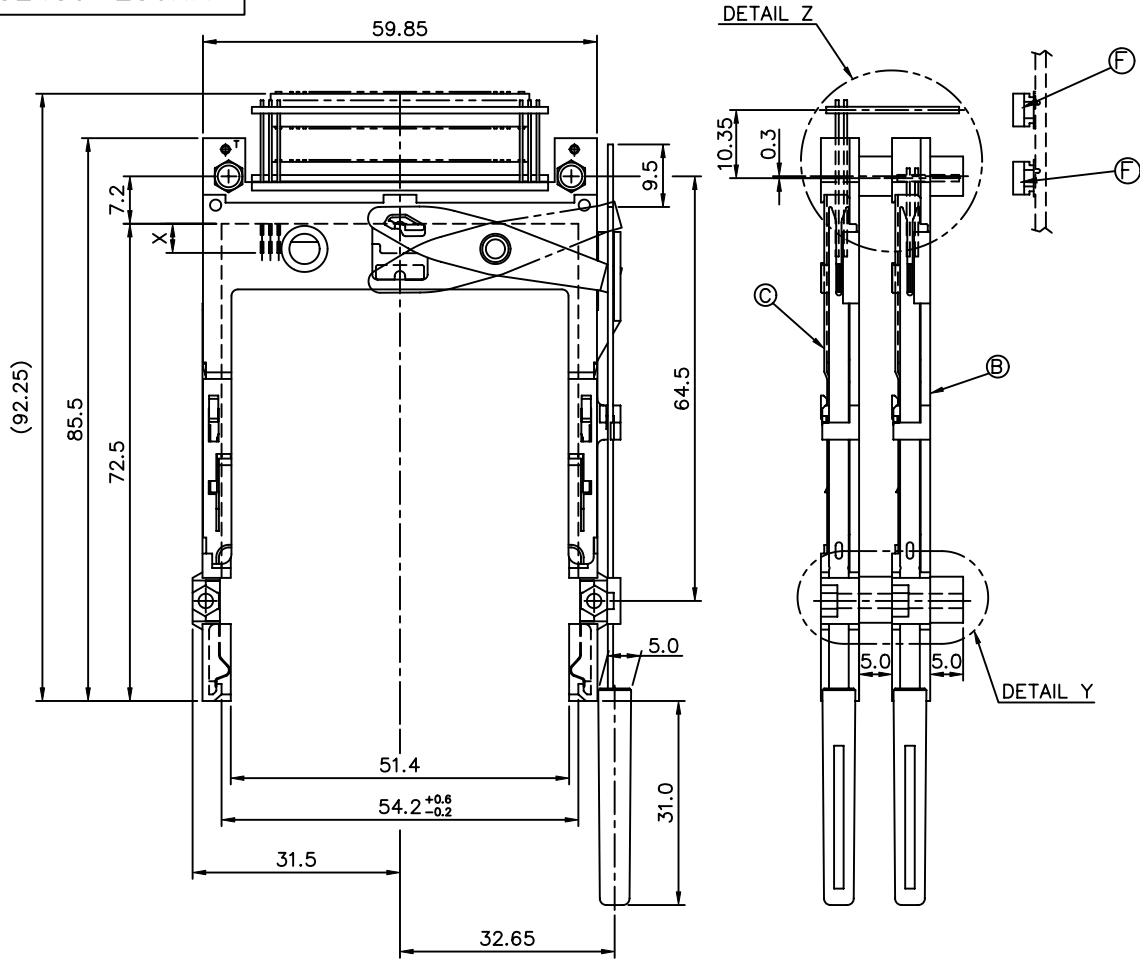


PRODUCT NO.

52439-250HA

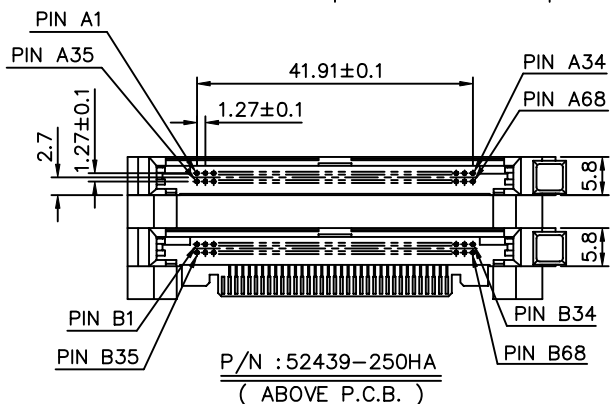


NOTE:

1. ORDERING 52439-250HA, BILL OF MATERIAL

DOUBLE DECK BY CUSTOMER		
NAME	PART NO.	Q'TY
(B) DECK CLOSEST TO PCB	52351-050HA	1
(C) DECK FARTHEST FROM PCB	52438-050HA	1
(D) M2 INSERT	61553-0150	2
(E) M2 NUT	92869-002	2
(F) MATING RECEPTACLE	91931-31169	2

2. IF USING SINGLE DECK ONLY, SEE 52351-050HA DRAWING FOR BILL OF MATERIAL



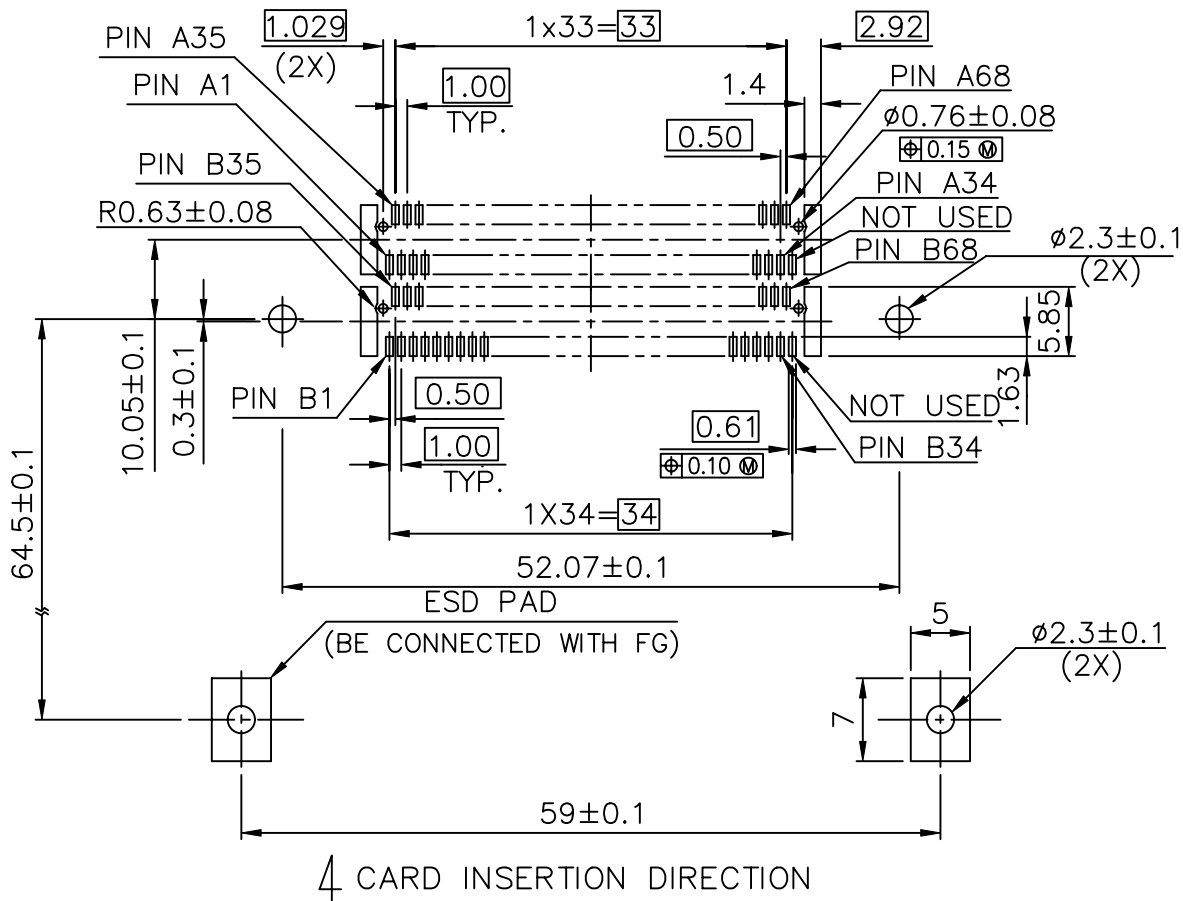
mat'l code		tolerance unless otherwise specified		CUSTOMER COPY				
rev.	ecn no.	dr	date	linear	± 0.30	projection	title	
A	T90346	WL	10/04/99					
B	T20085	WL	03/18/02	angles	± 2°		product family : PCMCIA	
		dr	WENDY CHEN					08/30/99
		enr	STELAR CHU	08/30/99	mm/inch	size	dwg no.	
		chr	JOSEPH HSIA	08/30/99	scale	A3	52439	
		appd	LELAND WANG	08/30/99	1.2:1		sheet 1 OF 2	
sheet	revision	B	A					
index	sheet	1	2					

PRODUCT NO.

52439-250HA

Tous droits strictement réservés. Reproduction ou communication à des tiers sans autorisation écrite de BERG ELECTRONICS.

All rights strictly reserved. Reproduction or issue to third parties in any form without written authority from the proprietor.



NOTES:

1. 8mm MIN. CARD EJECT.
2. EJECT TRAVEL: 9.5mm
3. MATERIAL
 - 3.1 HEADER ASS'Y
 PLASTIC : HOUSING ...LCP UL94V-0 BLACK
 PIN : COPPER ALLOY
 PCB : FR4
 - 3.2 EJECT MECHANISM ASS'Y
 PLASTIC : GUIDE: POLYPHTHARAMID, UL94V-0 BLACK
 : BUTTON: POLYPHTHARAMID, UL94V-0 BLACK
 PLATE : STAINLESS
 EMI CONTACT: PHOSPHOR BRONZE
 - 3.3 RECEPTACLE
 PLASTIC : LCP 94V-0, NATURAL.
 PIN: BeCu
4. FINISH (PIN)
 - UNDER PLATING : 0.5 um MIN. Ni
 - CONTACT AREA : 0.1 um MIN. GOLD OVER
 - 0.5 um MIN. Pd-Ni
 - SOLDER TAIL : 2.5 um MIN. Sn-Pb
- ⑤ PUSH ROD LOCATION AND P.C.B. SIDE ARE AS APPEARS INSTALLED.
6. DIM "X"

4.25±0.1	3.5±0.1	5.0±0.1
OTHERS	36,67	1,17,34,35,51,68

mat'l code		tolerance unless otherwise specified		CUSTOMER COPY			
rev.	ecn no.	dr	date	linear	±0.3	projection	title
A				linear			EJECTOR HEADER ASS'Y 68POS. FOR TYP 1/2/3
				angles	± 2°		
		dr	WENDY CHEN	08/30/99	unit		product family : PCMCIA
		enr	STELAR CHU	08/30/99	mm/inch		code
		chr	JOSEPH HSIA	08/30/99	scale		TWN
		appd	JENN TSAO	08/30/99	1.2:1	A3	sheet
sheet	revision						2 OF
index	sheet						