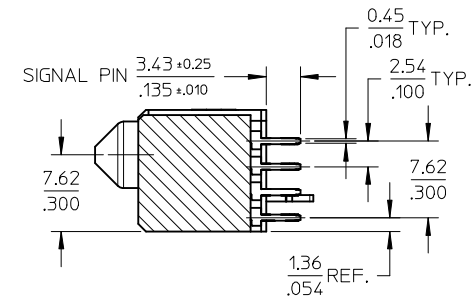
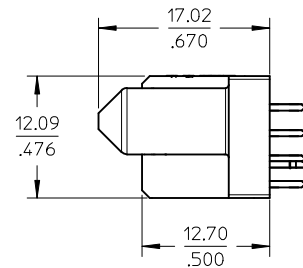
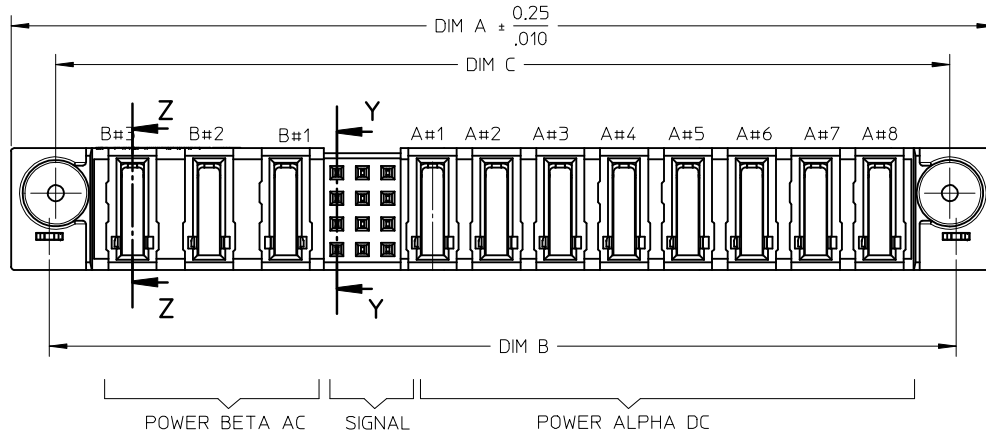
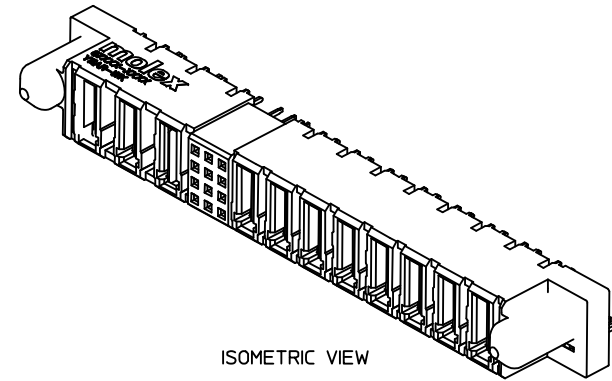
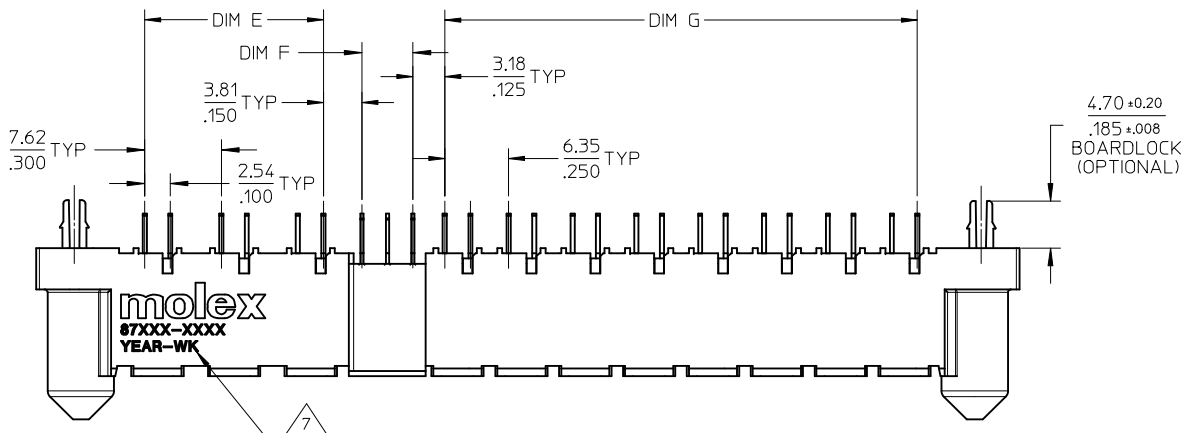
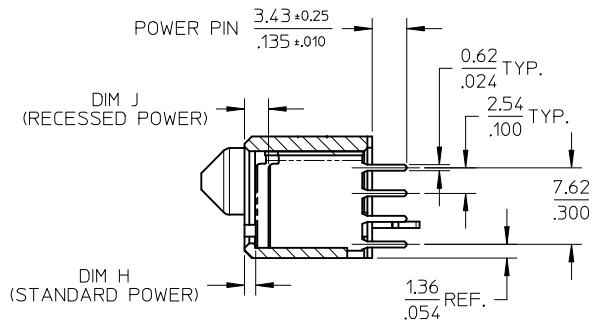


10 9 8 7 6 5 4 3 2 1



SECTION Y-Y

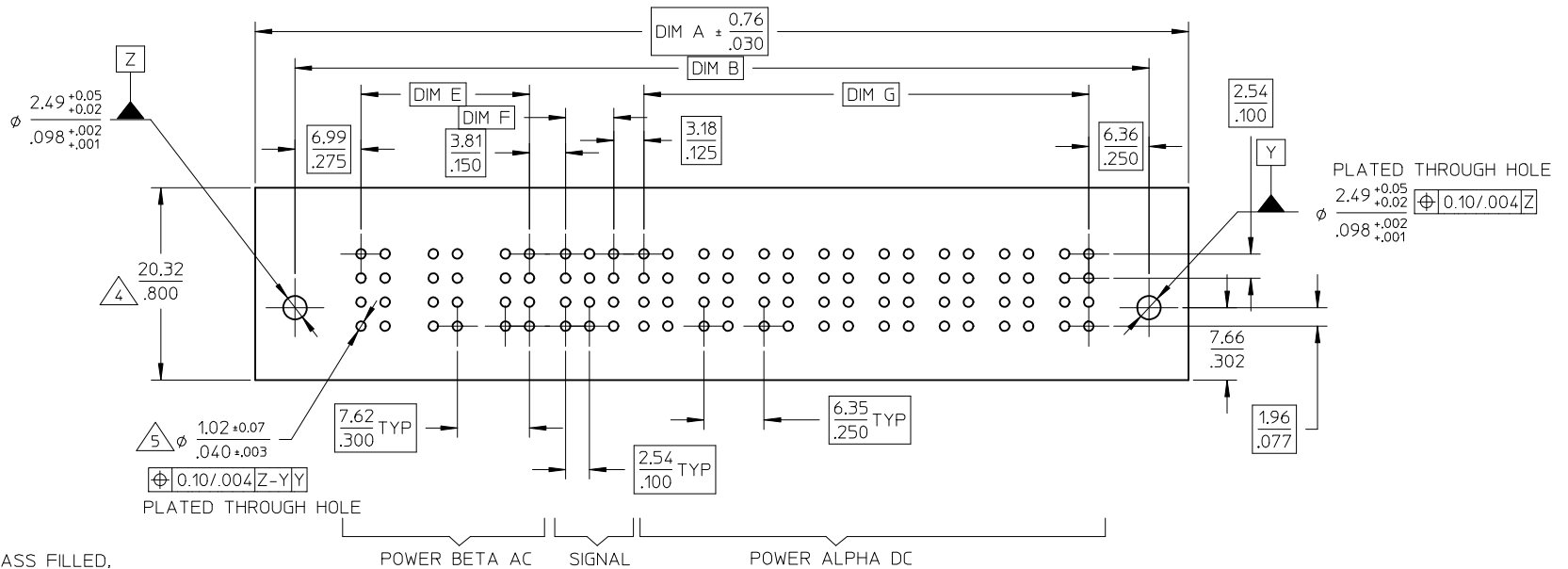


SECTION Z-Z

REVISED EC NO: S2014-0060 DRW:SKANG CHKD:MLONG APPR:MLONG	QUALITY SYMBOLS F _A =0 F _E =0 F _F =0	GENERAL TOLERANCES (UNLESS SPECIFIED)		DIMENSION STYLE MM/IN		SCALE NTS	DESIGN UNITS METRIC	THIRD ANGLE PROJECTION			
		4 PLACES ± --- ± ---	3 PLACES ± --- ± .005	2 PLACES ± 0.13 ± .010	1 PLACE ± 0.25 ± ---	0 PLACE ± ±	ANGULAR ± 3 °	DRAFT WHERE APPLICABLE MUST REMAIN WITHIN DIMENSIONS	DRAWN BY BHLOW	DATE 2004/02/18	TITLE DC/AC POWER RECEPTACLE P(A)DC-S-P(B)AC CONFIG. VERTICAL T/H, BOARD-LOCK
D1	REV	MATERIAL NO. SEE TABLE		APPROVED BY PTLIM		DATE 2004/03/15		THIS DRAWING CONTAINS INFORMATION THAT IS PROPRIETARY TO MOLEX INCORPORATED AND SHOULD NOT BE USED WITHOUT WRITTEN PERMISSION			

9 8 7 6 5 4 3 2 1

PART NUMBER	P-S-P CONFIGURATION			RECESSED POWER CIRCUIT #	DIM A	DIM B	DIM C	DIM D	DIM E	DIM F	DIM G	DIM H STANDARD	DIM J RECESSED	BOARDLOCK OPITON	PACKAGING
	POWER BETA AC	SIGNAL	POWER ALPHA DC												
87734-2000	3	12	8	ALL EXCEPT B1.	97.79 3.850	90.17 3.550	88.90 3.500	74.30 2.925	17.78 .700	5.08 .200	46.99 1.850	.112 .044	2.39 .094	NIL	TRAY
87734-2001	3	12	8	ALL EXCEPT B1.	97.79 3.850	90.17 3.550	88.90 3.500	74.30 2.925	17.78 .700	5.08 .200	46.99 1.850	.112 .044	2.39 .094	YES	TRAY



CONNECTOR - NOTES

1. MATERIALS :

- HOUSING - LCP, GLASS FILLED, UL 94V-0, COLOR: BLACK.
- POWER PIN - COPPER ALLOY

2. PLATING :

- POWER CONTACTS
- 0.76 MICROMETER MINIMUM GOLD (Au) AT CONTACT AREA AND 2.54 MICROMETER MINIMUM TIN AT SOLDERTAIL AREA OVER 1.27um MIN. NICKEL (Ni) UNDERPLATE.

3. PRODUCT SPECIFICATION: PS-87663-006.

4. COMPONENT STAY AWAY ZONE FROM CONNECTOR.

5. PCB NOTE FOR DIAMETER 1.02/.040 PLATED HOLE.

- DRILLED HOLE SIZE IS 1.151/.0453
- PLATE WITH 0.007/.0003 MINIMUM TIN OVER 0.03/.001 TO 0.08/.003 COPPER PLATING TO ACHIEVE 1.02±0.08/.040±.003 HOLE. SEE SHEET 2 FOR RECOMMENDED PCB LAYOUT.

6. 4P(B)-24S-3P(A) CONFIGURATION IS SHOWN FOR ILLUSTRATION ONLY.

7. MANUFACTURER LOGO, PART NUMBER AND YEAR-WEEK CODE.

8. IMAGINARY LINE & DIMENSION TO POSITION AND PROVIDE CONNECTOR ORIENTATION W.R.T. TO PCB LAYOUT.

RECOMMENDED PCB LAYOUT

REV	DESCRIPTION	QUALITY SYMBOLS	GENERAL TOLERANCES (UNLESS SPECIFIED)		DIMENSION STYLE		SCALE	DESIGN UNITS	THIRD ANGLE PROJECTION
			mm	INCH	MM/IN	NTS	METRIC		
REVISED EC NO: S2014-0060 DRWN:SKANG CHKD:MLONG APPR:MLONG 2013/07/18 2013/09/06 2013/09/09	D1	$F_A=0$ $F_G=0$ $F_P=0$	4 PLACES	± ---	± ---	DRAWN BY	DATE	TITLE	DC/AC POWER RECEPTACLE P(A)DC-S-P(B)AC CONFIG. VERTICAL T/H, BOARD-LOCK molex DOCUMENT NO. SD-87734-020 SHEET NO. 2 OF 2
			3 PLACES	± ---	± .005	BHLOW	2004/02/18		
			2 PLACES	± 0.13	± .010	CHECKED BY	DATE		
			1 PLACE	± 0.25	± ---	KCLING	2004/03/03		
			0 PLACE	±	±	APPROVED BY	DATE		
			ANGULAR ± 3 °		PTLIM		2004/03/15		
			DRAFT WHERE APPLICABLE MUST REMAIN WITHIN DIMENSIONS		MATERIAL NO.		SEE TABLE		
					SIZE A3		THIS DRAWING CONTAINS INFORMATION THAT IS PROPRIETARY TO MOLEX INCORPORATED AND SHOULD NOT BE USED WITHOUT WRITTEN PERMISSION		