

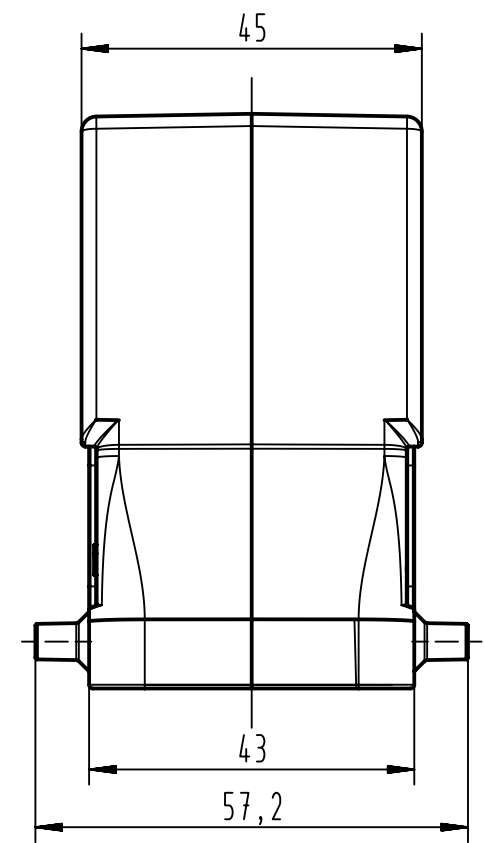
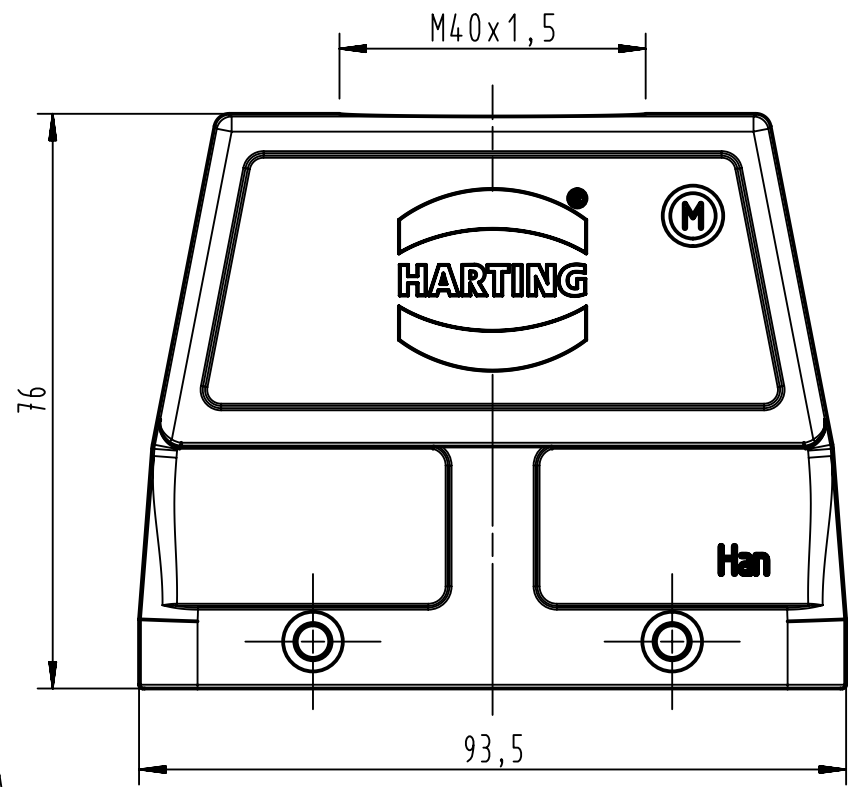
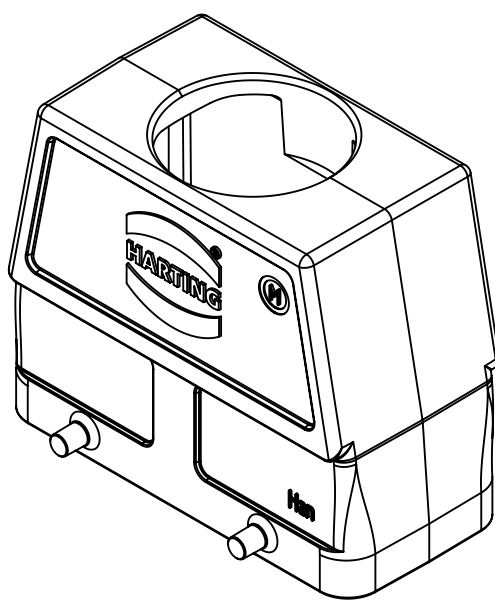
1 2 3 4 5 6

A

B

C

D



	All Dimensions in mm Original Size DIN A4		Scale 1:1	Free size tol.		Ref. Sub. TB 19 30 716 0428 v. 08.07.08			
		All rights reserved Department EL PD - DE		Created by HOLLERT	Inspected by BERGHORN	Standardisation TIEMANNA	Date 2013-05-27	State Final Release	
HARTING Electric GmbH & Co. KG D-32339 Espelkamp				Title Han B Hood Top Entry HC M40 Black			Doc-Key / ECM-Nr. 100222545/UGD/002/B 5300000661018		
				Type TB	Number 19 30 716 0428			Rev. B	Page 1/1