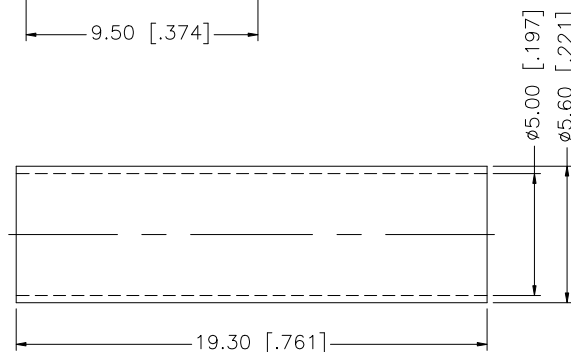
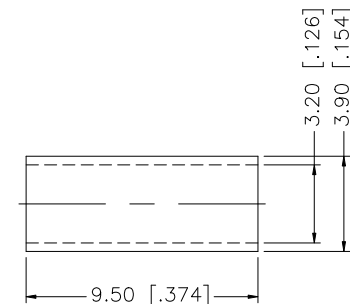
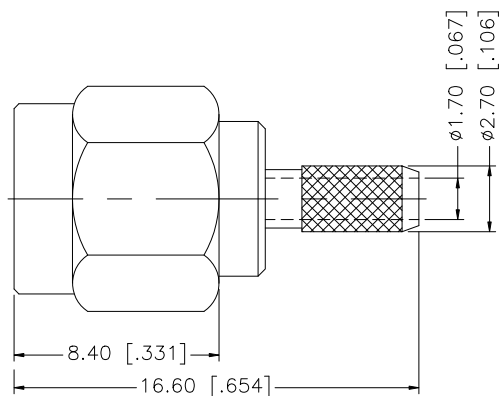
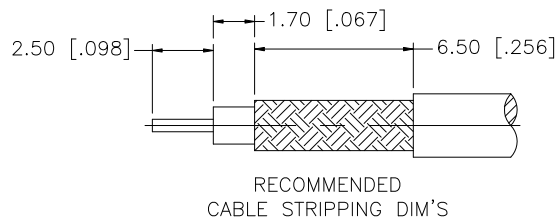


REV.	DATE	DESCRIPTION
NC	05/27/98	INITIAL RELEASE
A	05/01/04	UPDATE DRAWING FORMAT
B	02/05/08	ADD COUPLING NUT IN PART CALL OUT – ADD S/S MATERIAL



NOTE:

1. CRIMPED FERRULE HEX CRIMP SIZE .128"

QTY	DESCRIPTION	MATERIAL	FINISH
1	BODY	BRASS	NICKEL
1	INSULATOR	TEFLON	NATURAL
1	CONTACT PIN	BRASS	GOLD
1	COUPLING NUT	S.S.	PASSIVATED S.S.
1	FERRULE	BRASS	NICKEL
1	HEAT SHRINK TUBING		

UNLESS OTHERWISE SPECIFIED DIMENSIONS ARE IN MILLIMETERS. DIMENSIONS IN [ ] ARE IN INCHES AND FOR CUSTOMER REFERENCE ONLY.

UNLESS OTHERWISE SPECIFIED TOLERANCES FOR MILLIMETERS ARE:  
0.5 – 8mm ± 0.20mm  
8 – 30mm ± 0.40mm  
30 – 120mm ± 0.50mm

UNLESS OTHERWISE SPECIFIED TOLERANCES FOR INCHES ARE:  
.020 – .315 = ± 0.007"  
.315 – 1.180 = ± 0.015"  
1.180 – 4.724 = ± 0.020"

DO NOT SCALE DRAWING

APPROVALS	DATE
DRAWN G.R.S.	02/05/08
CHECKED	
ISSUED	
SHEET 1 OF 1	
CAD FILE	C:/132/132174.DWG

<b>Amphenol Connex</b>			
PART DESCRIPTION SMA CRIMP PLUG, S/S COUPLING NUT (RG-174/U, 188A/U, 316/U)			
PART NO. 132174			
DWG. NO.	132174.DWG	REV. B	SCALE NA