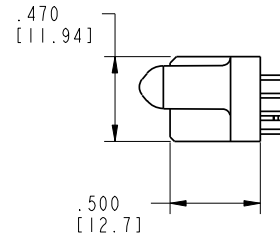
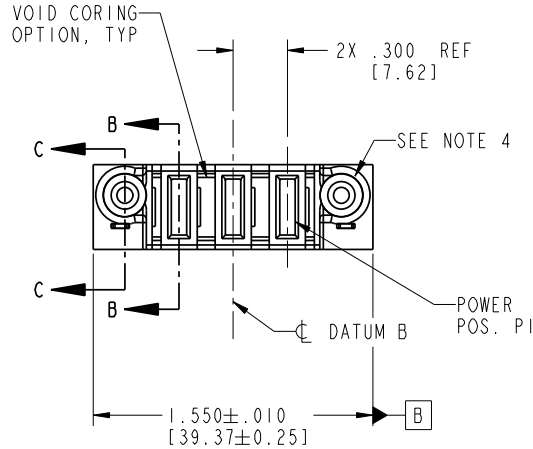


Tous droits strictement reserves. Reproduction ou communication a des tiers interdite sous quelque forme que ce soit sans autorisation écrite du propriétaire. Property of FCI. Droits de reproduction FCI.



All rights strictly reserved. Reproduction or issue to third parties in any form without written authority from the proprietor. Property of FCI. Copyright FCI.

PRODUCT NO.	POWER				
	E2	P3	P2	P1	E1
51940-066-- NOTE 3		PA	PA	PA	



CODE	DIM "M" MATING LENGTH	CONTACT TYPE
PA	.042 [1.07]	POWER
HA	N/A [N/A]	HOLD-DOWN

mat'l code				SEE NOTE 2		tolerances unless otherwise specified		CUSTOMER		FCI	
lir	ecn no.	dr	date	linear	.XX±.01/0.X±0.3	COPY		www.fciconnect.com		title	
A	V03-1212	TAB	11/11/03		.XXX±.005/0.XX±0.13	projection		3P		VERTICAL SOLDER RECEPT	
B	DG07-0135	RYAN	04/05/07	angles	.XXX±.002/0.XXX±0.051	INCH/MM		product family		PwrBlade	
				dr	0°±2°	scale		size		code	
				engr	T. BRUNGARD 11/11/03	1:1		A		213	
				chr	M. GRAY 11/11/03			51940-066		sheet	
				appd	M. GRAY 11/11/03					1 of 4	
sheet index	revision	B	B	B	B						
	sheet	1	2	3	4						

cage code 22526

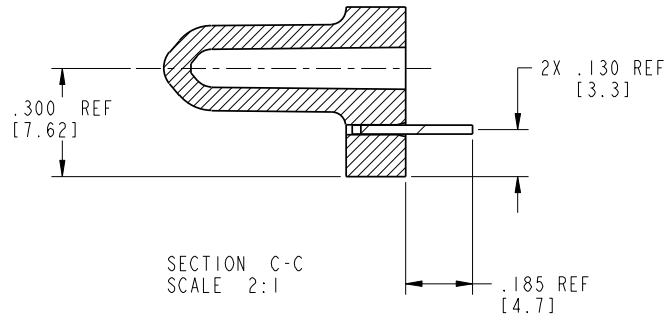
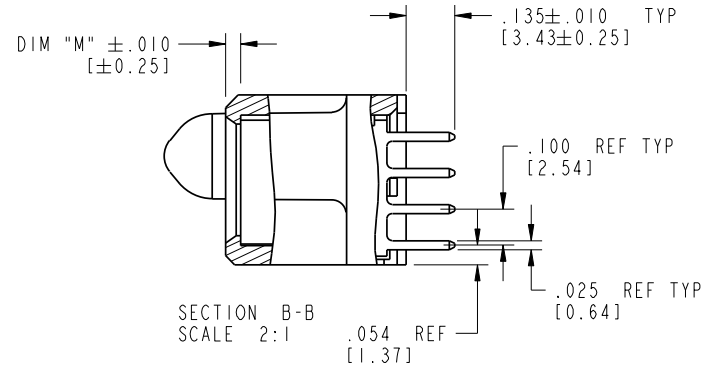
Pro/E

Tous droits strictement reserves. Reproduction ou communication a des tiers interdite sans quelque forme que ce soit sans autorisation ecrite du proprietaire. Propriete de c FCI. Droits de reproduction FCI.



All rights strictly reserved. Reproduction or issue to third parties in any form without is not permitted without written authority from the proprietor. Property of FCI. Copyright FCI.

PRODUCT NUMBER
51940-066__
NOTE 3



mat'l code				SEE NOTE 2	tolerances unless otherwise specified		CUSTOMER	FCI	
lir	ecn no.	dr	date	linear	.XX±.01/0.X±0.3	COPY	www.fciconnect.com		
B					.XXX±.005/0.XX±0.13	projection	3P		
				angles	.XXX±.002/0.XXX±0.051		VERTICAL SOLDER RECEIPT		
				dr	0°±2°	INCH/MM	product family	PwrBlade	code
				enrg	T. BRUNGARD 11/11/03	scale	size	dwg no	213
				chr	M. GRAY 11/11/03	1:1	A	51940-066	sheet
				appd	M. GRAY 11/11/03				2 of 4
sheet index	revision sheet								

cage code 22526

Pro/E

Tous droits strictement reserves. Reproduction ou communication a des tiers interdite sous quelque forme que ce soit sans autorisation écrite du propriétaire. Propriete de c FCJ. Droits de reproduction FCJ.



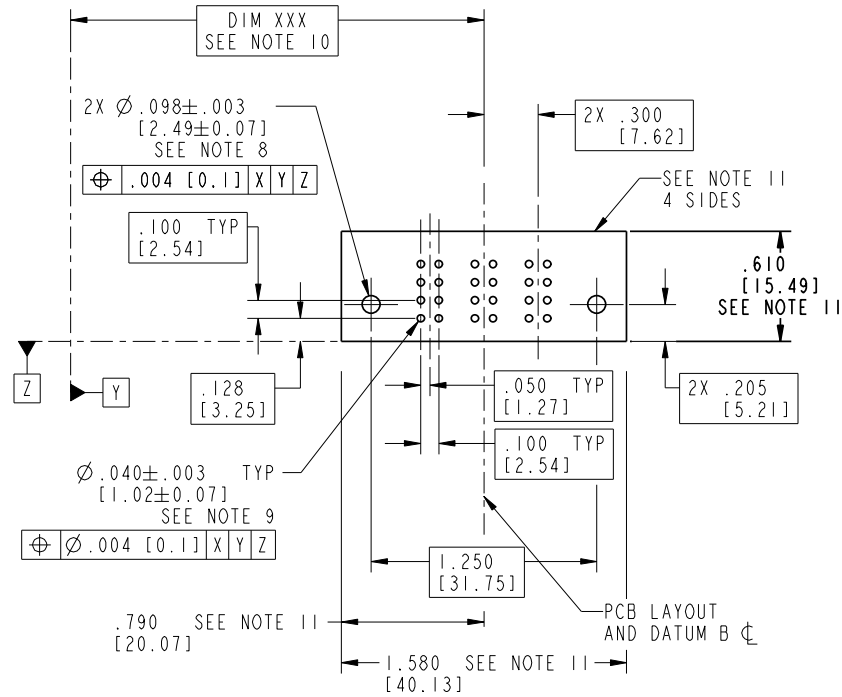
All rights strictly reserved. Reproduction or issue to third parties in any form whatever is not permitted without written authority from the proprietor. Property of FCJ. Copyright FCJ.

PRODUCT NUMBER
51940-066__
NOTE 3

1 | 2

3 |

4



mat'l code				SEE NOTE 2	tolerances unless otherwise specified		CUSTOMER	FCJ	
lfr	ecn no.	dr	date	linear	.XX±.01/0.X±0.3	COPY	www.fcconnect.com		
B					.XXX±.005/0.XX±0.13	projection	title 3P		
				angles	.XXX±.002/0.XXX±0.051		VERTICAL SOLDER RECEIPT		
				dr	0°±2°	INCH/MM	product family	PwrBlade	code
				enrg	T. BRUNGARD 11/11/03	scale	size	dwg no	213
				chr	M. GRAY 11/11/03	1:1	A	51940-066	sheet
				appd	M. GRAY 11/11/03				3 of 4
sheet index	revision	sheet							

1 | 2

Pro/E

3 |

cage code 22526

4

Tous droits strictement reserves. Reproduction ou communication a des tiers interdite sous quelque forme que ce soit sans autorisation écrite du propriétaire. Propriete de c FCI. Droits de reproduction FCI.



All rights strictly reserved. Reproduction or issue to third parties in any form without is not permitted without written authority from the proprietor. Property of FCI. Copyright FCI.

PRODUCT NUMBER
51940-066__
NOTE 3

NOTES:

1. DIMENSIONS AND TOLERANCES ARE IN ACCORDANCE WITH ASME Y14.5M, 1994 UNLESS OTHERWISE SPECIFIED.

CONNECTOR NOTES:

- 2 HOUSING MATERIAL: UL 94 V-0 GLASS FILLED
HIGH-TEMP THERMOPLASTIC
POWER CONTACT MATERIAL: COPPER ALLOY
SIGNAL PIN MATERIAL: COPPER ALLOY
 - 3. PLATING:
SEE PRINT 10064183 FOR PLATING SPEC OF 51940-066; 51940-066LF
 - 4 MANUFACTURER'S NAME, P/N, AND DATE CODE TO APPEAR ON THIS SURFACE.
 - 5. PRODUCT SPECIFICATION GS-12-149.
APPLICATION SPECIFICATION BUS-20-067.
 - 6. PACKAGED IN TRAYS.
- PCB NOTES:
- 7. ALL HOLE DIAMETERS ARE FINISHED HOLE SIZE.
 - 8 MOUNTING HOLES, WHERE APPLICABLE, ARE UNPLATED.
 - 9 $\varnothing .0453 \pm .0010$ [1.151 \pm 0.025] DRILLED HOLES PLATED WITH .0003 [0.008] MIN SnPb OR Sn OVER .001 [0.03] TO .003 [0.08] Cu PLATING TO ACHIEVE $\varnothing .040 \pm .003$ [1.02 \pm .07] HOLE.
 - 10 "DIM XXX" TO BE DETERMINED BY THE CUSTOMER.
 - 11 CONNECTOR KEEP-OUT ZONE.

mat'l code		SEE NOTE 2		tolerances unless otherwise specified		CUSTOMER		FCI		www.fciconnect.com	
lfr	ecn no.	dr	date	linear	.XX±.01/0.X±0.3	COPY		projection	title 3P		
B					.XXX±.005/0.XX±0.13				VERTICAL SOLDER RECEPT		
				angles	.XXX±.002/0.XXX±0.051				product family PwrBlade code		
				dr	0°±2°	INCH/MM		size		213	
				enrg	T. BRUNGARD 11/11/03	scale		A		sheet	
				chr	M. GRAY 11/11/03	1:1		51940-066		4 of 4	
				appd	M. GRAY 11/11/03						
sheet index	revision sheet										

cage code 22526

Pro/E