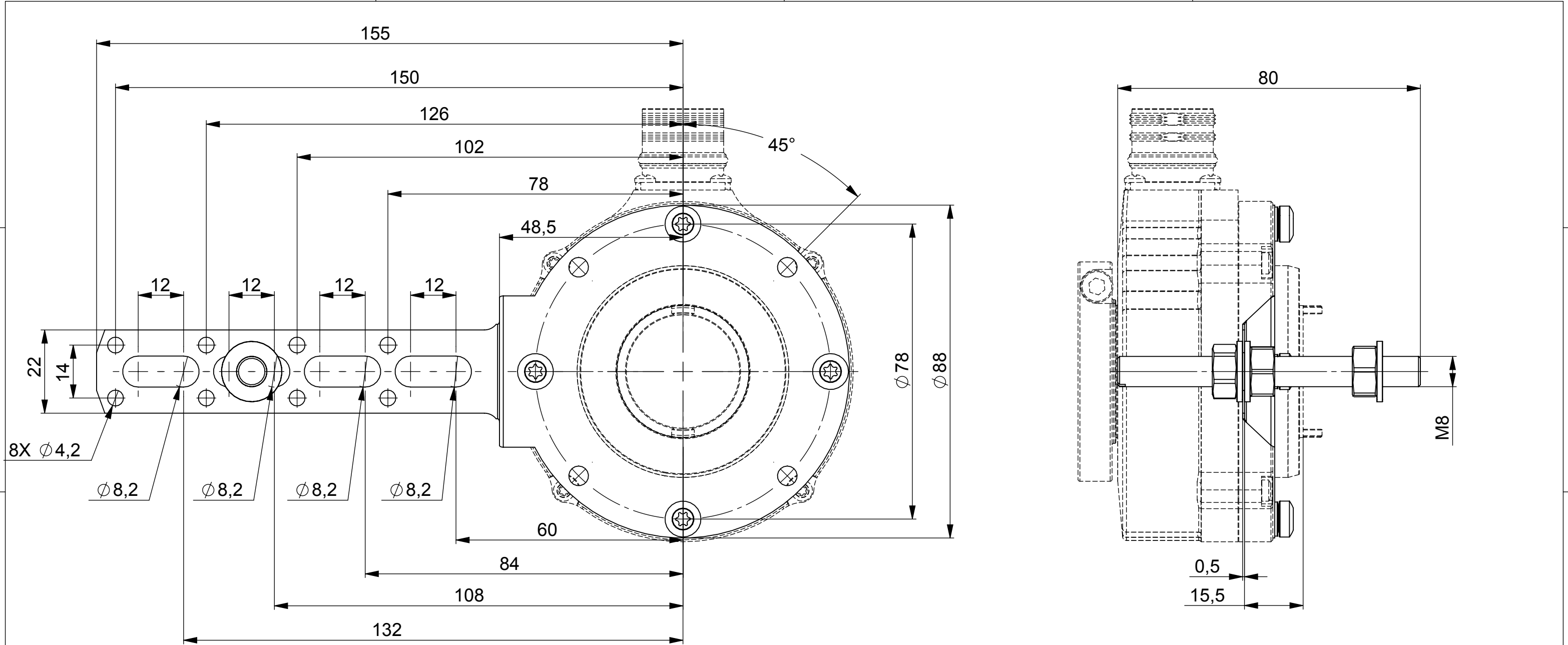


4

3

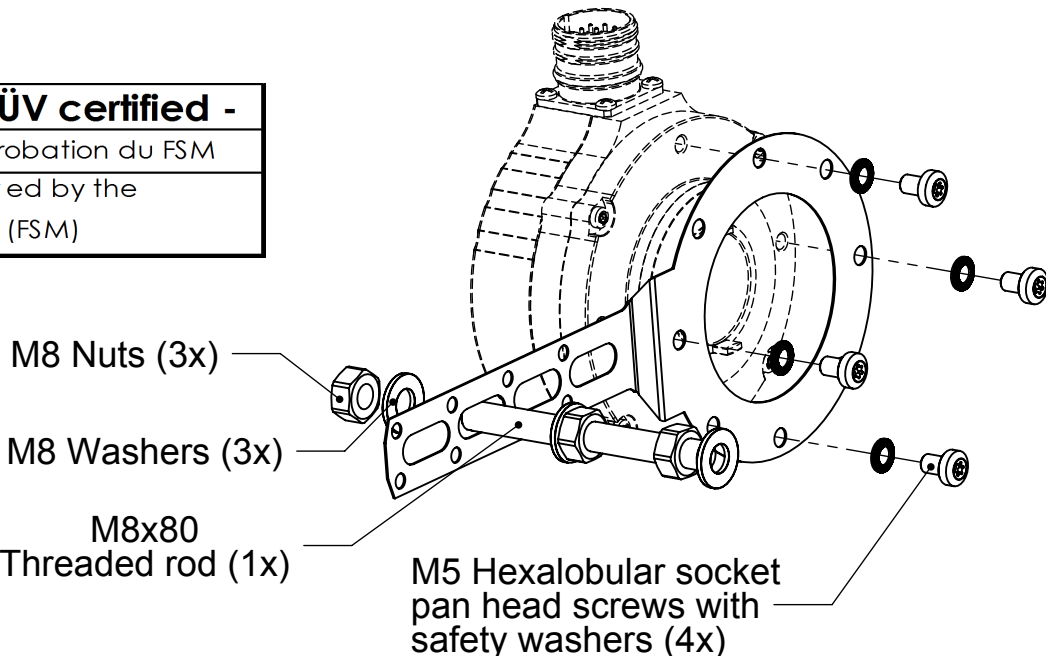
2

1



Functional Safety Product -TÜV certified -
 Toute modification est soumise à l'approbation du FSM
 All modifications must be approved by the
 Functional Safety Manager (FSM)

Ordering reference: **M9445/046**



UNCONTROLLED COPY

FIRST ISSUE DATE : 28/03/2018
 DRAWN : RHM
 APPROVED : JHH
 DATE : 28/03/2018

SENSATA TECHNOLOGIES PROPRIETARY AND CONFIDENTIAL. NEITHER THIS PRINT NOR THE INFORMATION CONTAINED HEREON IS TO BE USED AGAINST THE INTERESTS OF SENSATA TECHNOLOGIES OR AGAINST THE INTERESTS OF ANY OF ITS AFFILIATED COMPANIES OR WHOLLY OWNED SUBSIDIARIES.



BEI SENSORS SAS
 Espace Européen de l'Entreprise
 9, rue de Copenhague
 BP 70044 - F 67013 STRASBOURG Cedex
 Tel : +33 (0)3 88 20 81 40

ECN : .
 DATE :
 Housing material :
 Flange material :
 Tether material : Stainless Steel

UNLESS OTHERWISE SPECIFIED DIMENSIONS ARE IN MILLIMETERS (INCHES) AND ARE INTENDED AS NOMINAL. SEE PRODUCT SPECIFICATION FOR MORE DETAILS.

DO NOT SCALE DRAWING
 EUROPEAN SYSTEM

TITLE		DSU9 Tether arm kit	
SIZE	DWG NO.	REV.	
A3	M004	A	
SCALE	1/1	SOLIDWORKS	SHEET 1 OF 1

4

3

2

1

DEVICE: PROJECT: