

This drawing involves proprietary design rights of Tyco Electronics Corporation, and all design, manufacture, reproduction, use and sale rights regarding the same are expressly reserved. It is submitted for a specific purpose and the recipient by accepting this drawing, assumes custody and control and agrees to take reasonable precautions; (a) that this drawing will not be copied and reproduced, in whole or in part, or its contents revealed in any manner, or to any person except to meet the purpose for which it was delivered and (b) that any special features peculiar to this design will not be incorporated in other projects without the expressed written permission of Tyco Electronics Corporation.

REVISIONS

EC	REV	DESCRIPTION	DATE
0S1Q-0406-04	A	NEW RELEASE	11/12/04

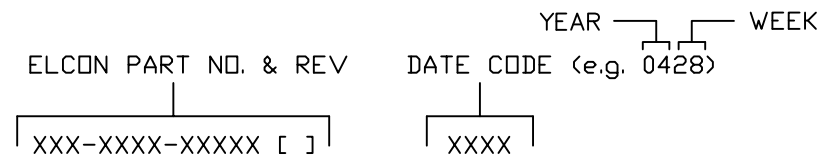
7. MODULE INFORMATION

CONNECTOR	TYCO PART NUMBER	ELCON PART NUMBER	EQUIVALENT CATALOG MODULE #	SIZE NO.	CONTACT QTY	MATING PIN	MAX. CURRENT (PER CONTACT)	CONTACT SPACING	VOLTAGE RATING*			
PIN	6648103-1	479-0743-10100A	FP1819	POWER	8	5	1.25 X 7.00 [.049 X .276]	35 AMPERES	7.50 [2953]	250 VOLTS		
				SIGNAL	22	24	.64 [0.25] SQ.	3 AMPERES	2.50 [0984]	125 VOLTS		
				LEFT MOUNTING FLANGE								
				RIGHT MOUNTING FLANGE								

*IAW IEC-950

NOTES: UNLESS OTHERWISE SPECIFIED.

- PART NUMBER CHANGES AND OR DESIGN CHANGES AFFECTING ITEM INTERCHANGEABILITY REQUIRE PRIOR ELCON APPROVAL AND AUTHORIZATION BY REVISION TO THIS DRAWING.
- MATERIALS:
 - INSULATORS: THERMOPLASTIC, GLASS REINFORCED, COLOR BLACK. UL94V-0 FLAMMABILITY RATED.
 - SOLDER SIGNAL PIN: BRASS ALLOY.
 - POWER CONTACTS: PHOSPHOR BRONZE ALLOY, COPPER ALLOY.
 - CROWN BANDS: BERYLLIUM COPPER ALLOY.
- FINISHES:
 - CONTACTS: GOLD PLATED PER MIL-G-45204 TYPE II, CLASS 0, .000030" MIN. THK, OVER NICKEL PER QQ-N-290, CLASS 2, .000040" MIN. THICKNESS.
 - TERMINALS: TIN PLATED, MATTE FINISH, .000120" TO .000170" THICK.
- MOUNTING FLANGES ACCEPT M3 OR #4-40 SCREWS, (USER SUPPLIED).
- ITEMS PROVIDED TO THIS SPECIFICATION TO BE PERMANENTLY IDENTIFIED PER THE FOLLOWING IDENTIFIER:



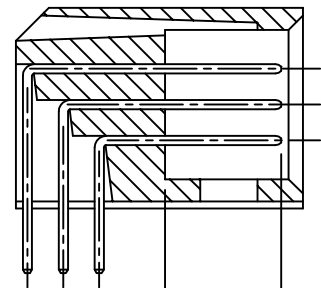
6. THIS CONNECTOR MATES WITH SOCKET CONNECTOR PN 278-0743-10200/-10400.

<p>THIRD ANGLE PROJECTION</p> <p>UNLESS OTHERWISE SPECIFIED DIMENSIONS ARE IN METRIC [INCHES]</p> <p>TOLERANCES</p> <p>ANGLES ± .5°</p> <p>DECIMALS</p> <p>.XX ± .25 [.010]</p> <p>.X ± .5 [.020]</p>	<p>DRAWN</p> <p>R. F. A.</p>	<p>DATE</p> <p>11/10/04</p>	Tyco Electronics Corporation Menlo Park, Ca 94025		
	CHECKED		TITLE		
	APPROVED		PIN CONNECTOR, FLATPAQ RIGHT ANGLE, SOLDER TAILS PN: 479-0743-10100A		
	APPROVED		SIZE	DWG NUMBER	REV.
	D. CHAU	11/12/04	B	C = 6648103	A
	M. ALIM	11/18/04			
ACAD FILE NUMBER C6648103A.DWG			DWG SCALE 1=1	SH 1 OF 3	

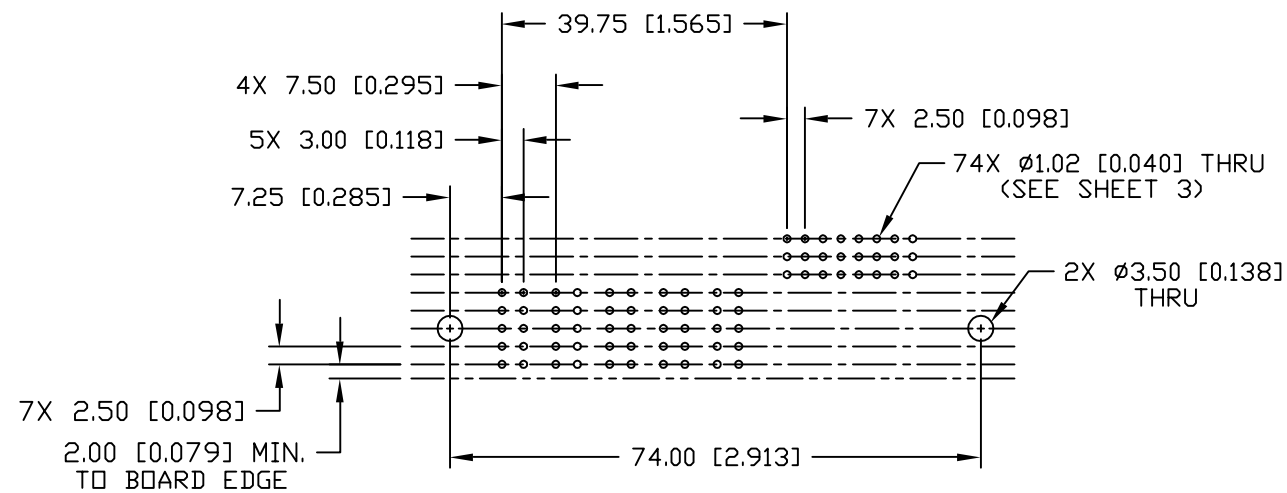
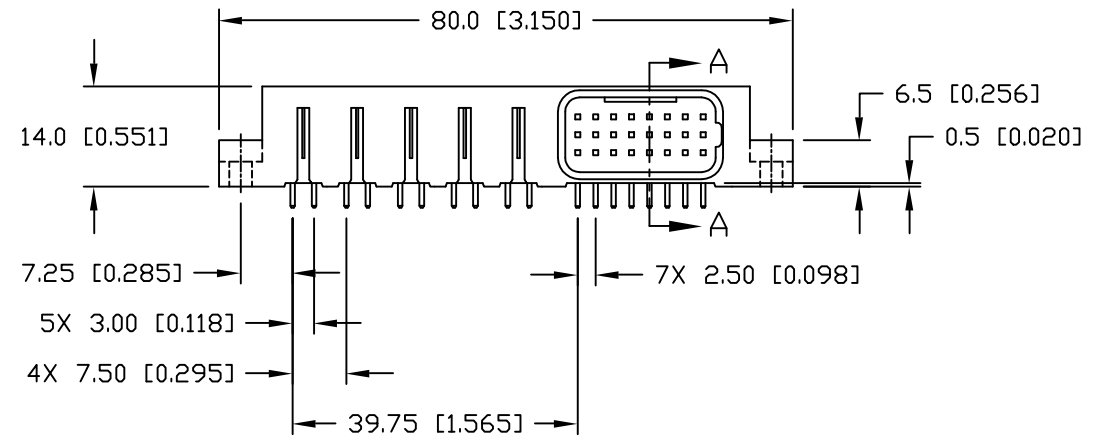
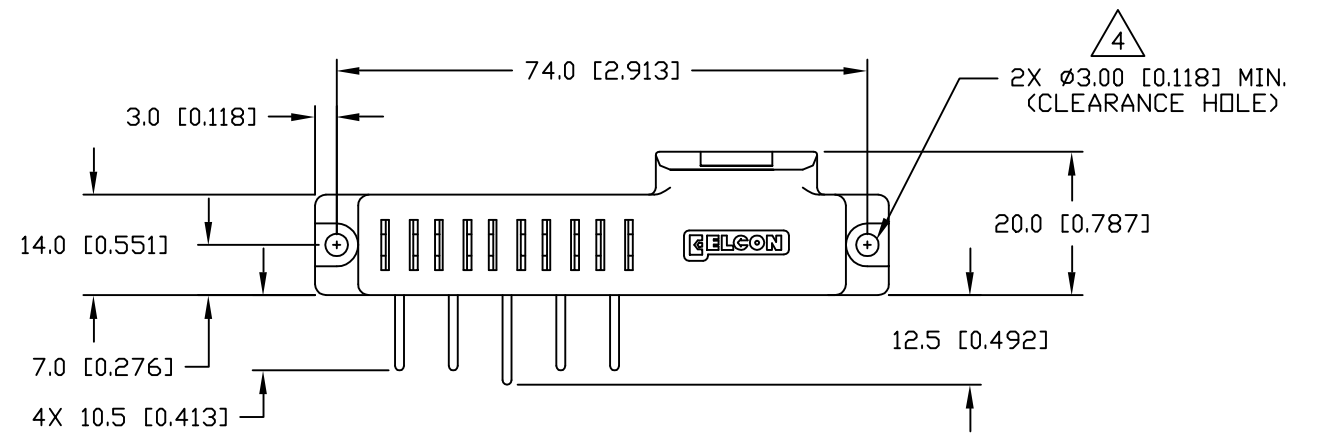
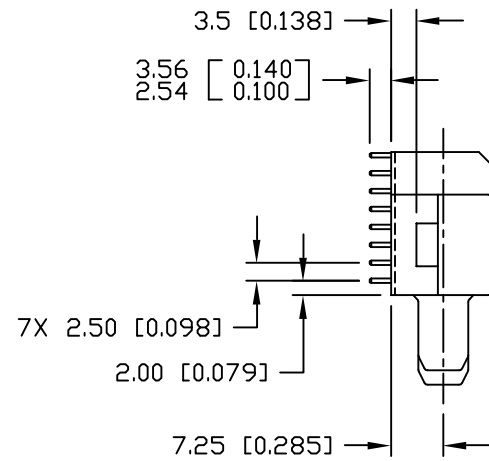
This drawing involves proprietary design rights of Tyco Electronics Corporation, and all design, manufacture, reproduction, use and sale rights regarding the same are expressly reserved. It is submitted for a specific purpose and the recipient by accepting this drawing, assumes custody and control and agrees to take reasonable precautions; (a) that this drawing will not be copied and reproduced, in whole or in part, or its contents revealed in any manner, or to any person except to meet the purpose for which it was delivered and (b) that any special features peculiar to this design will not be incorporated in other projects without the expressed written permission of Tyco Electronics Corporation.

REVISIONS

EC	REV	DESCRIPTION	DATE
		SEE SHEET 1	



SECTION A-A

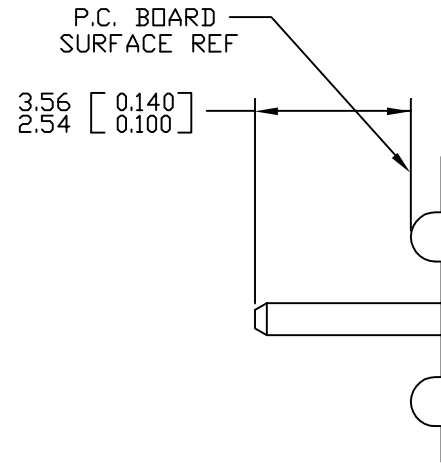


PRINTED CIRCUIT LAYOUT

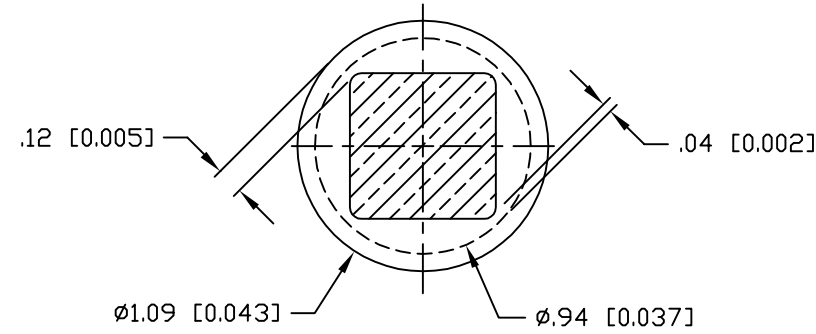
THIRD ANGLE PROJECTION UNLESS OTHERWISE SPECIFIED DIMENSIONS ARE IN METRIC [INCHES] TOLERANCES ANGLES ± .5° DECIMALS .XX ± .25 [.010] .X ± .5 [.020]	DRAWN R. F. A.	DATE 11/10/04	tyco Tyco Electronics Corporation Electronics Menlo Park, Ca 94025	ELCON		
	CHECKED	TITLE PIN CONNECTOR, FLATPAQ RIGHT ANGLE, SOLDER TAILS PN: 479-0743-10100A				
	APPROVED	APPROVED D. CHAU	11/12/04	SIZE B	DWG NUMBER C = 6648103	REV. A
	M. ALIM	11/18/04	ACAD FILE NUMBER C6648103A.DWG	DWG SCALE 1=1	SH 2 OF 3	

This drawing involves proprietary design rights of Tyco Electronics Corporation, and all design, manufacture, reproduction, use and sale rights regarding the same are expressly reserved. It is submitted for a specific purpose and the recipient by accepting this drawing, assumes custody and control and agrees to take reasonable precautions; (a) that this drawing will not be copied and reproduced, in whole or in part, or its contents revealed in any manner, or to any person except to meet the purpose for which it was delivered and (b) that any special features peculiar to this design will not be incorporated in other projects without the expressed written permission of Tyco Electronics Corporation.

REVISIONS			
EC	REV	DESCRIPTION	DATE
		SEE SHEET 1	



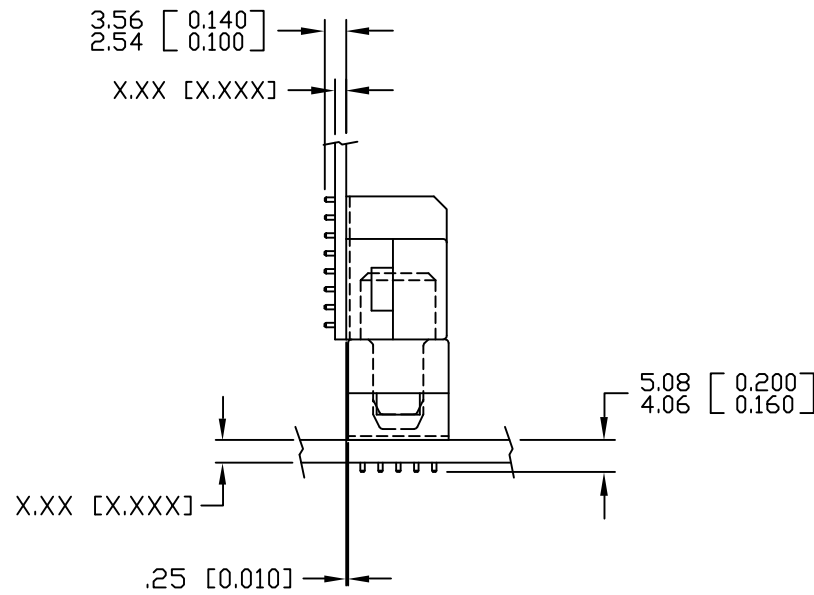
SOLDER PIN DETAIL



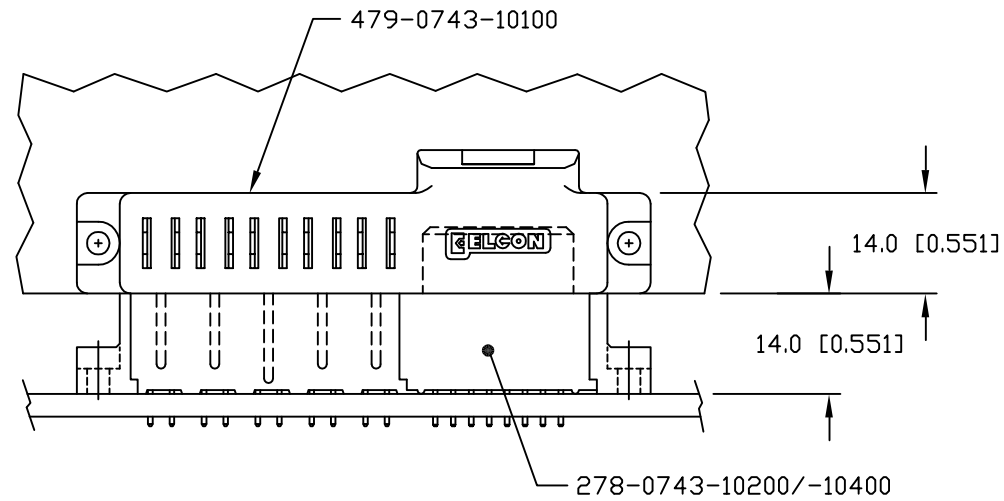
SOLDER TERMINATION AREA

RECOMMENDED PRINTED CIRCUIT HOLE

- FINISHED HOLE: $\phi 1.02 [0.040] \pm .08 [0.003]$
- DRILLED HOLE: $\phi 1.15 [0.0453] \pm .013 [0.0005]$
- COPPER PLATE: .025 [0.0010] MINIMUM (PER SURFACE)
- TIN PLATE: .008 [0.0003] MINIMUM (PER SURFACE)



MATED CONDITION



← MM OR MM [INCH] INCH THIRD ANGLE PROJECTION UNLESS OTHERWISE SPECIFIED DIMENSIONS ARE IN METRIC [INCHES] TOLERANCES ANGLES $\pm .5^\circ$ DECIMALS .XX $\pm .25 [0.010]$.X $\pm .5 [0.020]$	DRAWN R. F. A.	DATE 11/10/04	 Tyco Electronics Corporation Menlo Park, Ca 94025 		
	CHECKED			TITLE USER INFORMATION SOLDER TAIL TERMINATION AND MATED CONDITION	
	APPROVED				
	APPROVED D. CHAU	11/12/04			
	DCA APPROVED M. ALIM	11/18/04	SIZE B	DWG NUMBER C = 6648103	REV. A
	ACAD FILE NUMBER C6648103A.DWG		DWG SCALE 1 = 1	SH 3 OF 3	