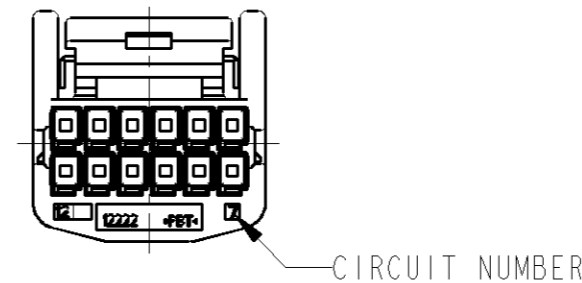
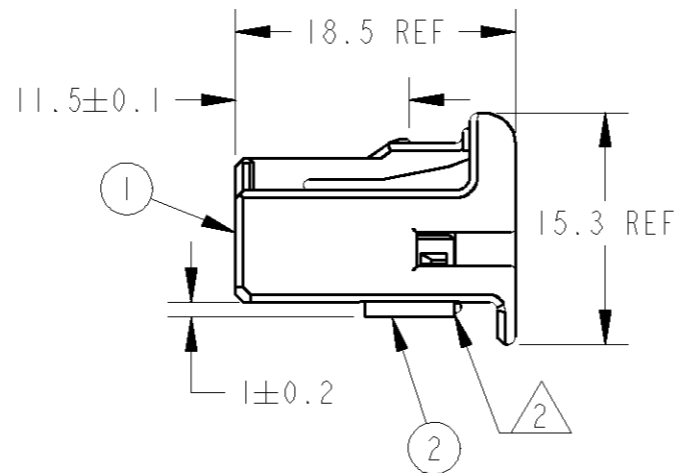
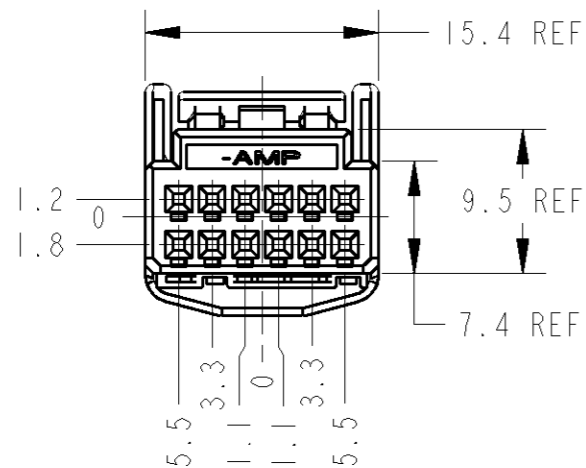
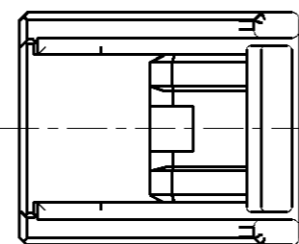


THIS DRAWING IS UNPUBLISHED. RELEASED FOR PUBLICATION
 © COPYRIGHT - ALL RIGHTS RESERVED.

LOC	DIST	REVISIONS					
		P	LTR	DESCRIPTION	DATE	DWN	APVD
J		P		REVISED PER ECO-11-005140	09APR2011	RK	HMR
		PI		REVISED PER ECR-12-019260	12NOV2012	TS	KB



- RETAINER SHOULD BE SET TO THE PRE- ASSEMBLY POSITION WITHIN THE PLUG HOUSING WHEN SHIPPED TO THE CUSTOMER
- THE RETENTION LATCH OF THE RETAINER MUST BE OUT SIDE OF PLUG HOUSING WHEN PRE-ASSEMBLY
- RETAINER RETENTION FORCE FROM HOUSING : 30N MIN
- INSTRUCTION SHEET NO : 411-5928
- PART NUMBER OF CAP HOUSING TO BE MATED : SEE TABLE-1
- APPLIED TERMINAL : SEE TABLE-2

- プラグハウジングにリテーナーを仮止して出荷する
- 仮止時リテーナー突起がハウジングの外側に出ていること
- リテーナーの仮止保持力は 30N 以上
- 取扱い説明書 NO : 411-5928
- 嵌合相手型番は TABLE-1 参照
- 適用端子は TABLE-2 参照

TABLE-1

POS 極数	CAP ASSEMBLY PART NO キャップ 型番
12	1318772

TABLE-2

SIGNAL		TERMINAL NO 端子型番	APPLICABLE WIRE RANGE (FEMALE) 適用電線
TIN	025	1123343-1	AVSS/CAVUS 0.3~0.5mm ² CAVS 0.22~0.5mm ² AVSSH-f 0.3~0.5mm ²

PLASTIC BAG ビニール袋	INNER 内装	PACKING STYLE 梱包形態		
PAPER BOX タンボール箱	OUTER 外装			
1	1318776-1	12P RETAINER	NATURAL	2
1	1376674-1	12P PLUG HOUSING SHORT BODY	BLACK	1
1376675-1	PART NO.	NAME	FINISH/COLOR	NO.

THIS DRAWING IS A CONTROLLED DOCUMENT.

DWN	Y. KAWAHARA	23JAN01	 TE Connectivity	NAME 025 SERIES CONNECTOR 12 POS PLUG HOUSING ASSY SHORT BODY		
CHK	N. SAI	23JAN01				
APVD	N. SAI	23JAN01				
PRODUCT SPEC	108-5668					
APPLICATION SPEC	114-5250		SIZE	CAGE CODE	DRAWING NO	RESTRICTED TO
MATERIAL	PBT	FINISH	A3	00779	1376675	-
		仕上	SCALE			
		SEE TABLE	尺数	2.1	SHEET	OF
			CUSTOMER DRAWING			REV
						PI