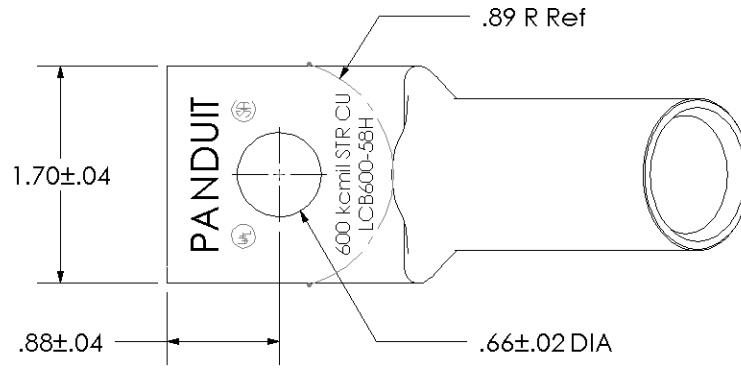
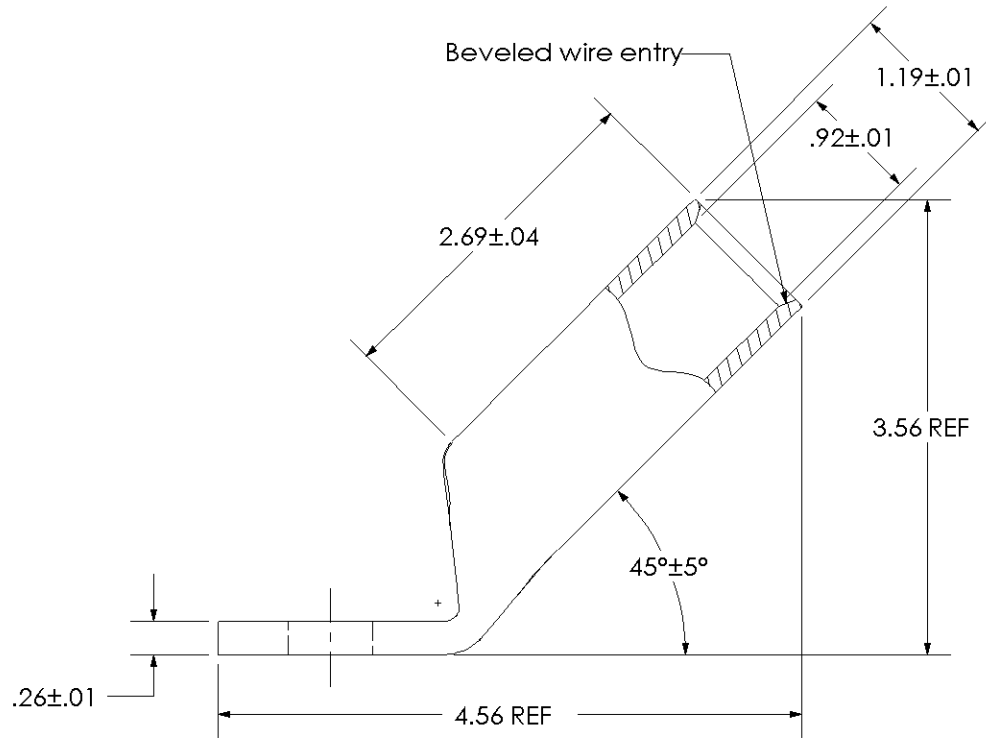


THIS COPY IS PROVIDED ON A RESTRICTED BASIS AND IS NOT TO BE USED IN ANY WAY DETRIMENTAL TO THE INTERESTS OF PANDUIT CORP.

Material	High Conductivity Seamless Copper Tube
Plating	Electro-Tin
Wire Size	600 kcmil
Wire Type	Stranded Copper; Class B: Compact, Compressed or Concentric, Class C: Concentric
Wire Strip Length	2-3/4 in.
Stud Size	5/8 in.
UL Listed Wire Connector	Yes, for applications up to 35kv. Consult cable manufacturer for voltage stress relief instructions with applications greater than 2000 volts.
UL Temperature Rating	90° C
C.S.A Certified Wire Connector	Yes
Panduit Color Code on Barrel	GREEN
Panduit Die Index No. on Barrel	P94
Alternate Industry Die Index No. () on Barrel	(22)



Color coded barrel markings



00	12/02	SAB	DRL
REV	DATE	BY	CHK

RELEASED	DESCRIPTION
----------	-------------

10328	SCALE	N/A	DRAWING NO / CAD FILE	LCB600-58H-CUST
-------	-------	-----	-----------------------	-----------------

PANDUIT CORP. TINLEY PARK, ILLINOIS

LCB600-58H-6

Copper Lug - One-Hole, Long Barrel, 45° Angle Tongue