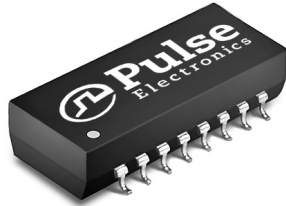


10/100Base-TX Single Port Transformers Modules

With Various Transmit Turns Ratios



- RoHS peak reflow temperature rating 245°C
- Meets IEEE 802.3 specification
- Designed for use with transceivers for AMD & Micrel

Electrical Specifications @ 25°C - Operating Temperature 0°C to 70°C

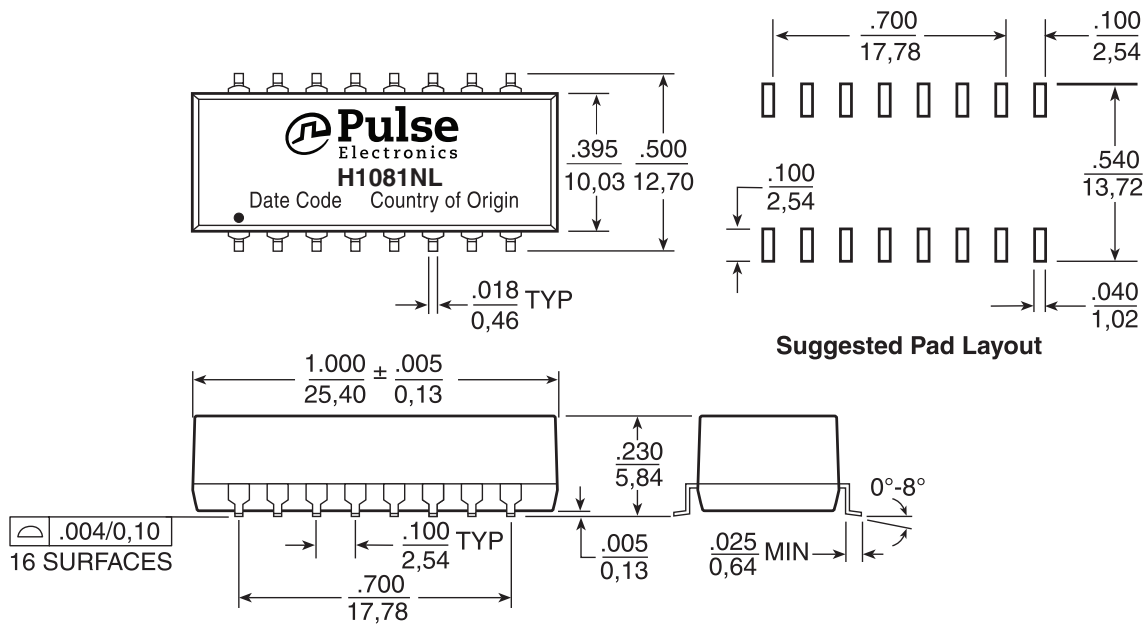
Part Number ²	Turns Ratio (±5%)		Insertion Loss (dB MAX)	Return Loss (dB MIN)			Crosstalk (dB MIN)			Hipot (Vrms MIN)
	TX	RX	100 kHz-100 MHz	30 MHz	60 MHz	80 MHz	30 MHz	60 MHz	100 MHz	
H1081NL ^{1c}	1:1.141	1:1	-2.0	-18	-12	-11	-45	-38	-34	1500

1. MSL = Moisture Sensitivity Level: a = 1, b = 2, c = 3, d = 4, e = 5

2. When ordering Tape and Reel packaging, add the suffix "T" to the end of the parts number. For example, H1081NLT.

Mechanical

H1081NL



Dimensions: $\frac{\text{Inches}}{\text{mm}}$

Unless otherwise specified, all tolerances are $\pm \frac{.010}{0,25}$

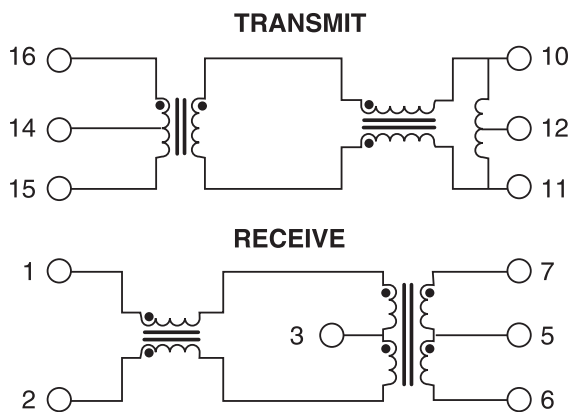
Weight 1.6 grams
 Tube 20/tube
 Tape and Reel 350/reel

10/100Base-TX Single Port Transformer Modules

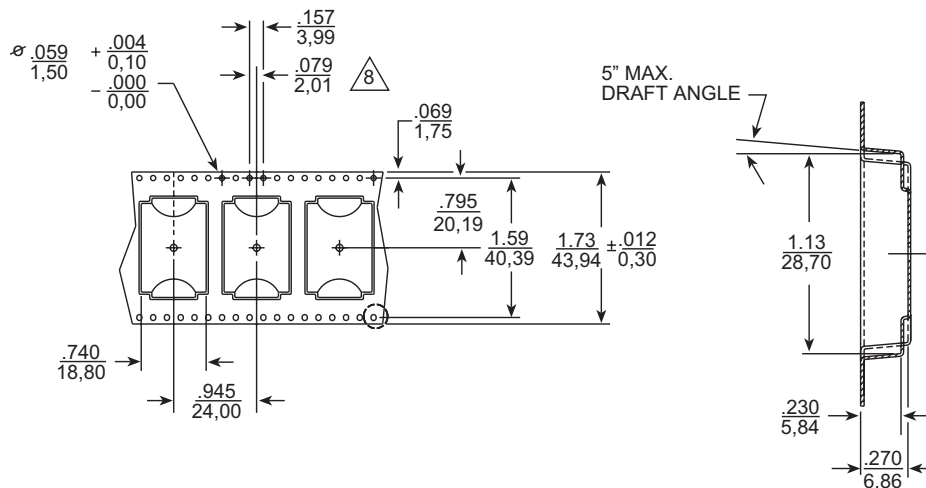
With Various Transmit Turns Ratios

Schematic

H1081NL



Tape & Reel Specifications



For More Information

Pulse Worldwide Headquarters

12220 World Trade Drive
San Diego, CA
92128
U.S.A.

Tel: 858 674 8100

Pulse Europe

Einsteinstrasse 1
D-71083 Herrenberg
Germany

Tel: 49 7032 7806

Pulse China Headquarters

B402, Shenzhen Academy of
Aerospace Technology Bldg.
10th Kejinan Road
High-Tech Zone
Nanshan District
Shenzhen, PR China
518057

Pulse North China

Room 2704/2705
Super Ocean Finance
Ctr.
2067 Yan An Road
West
Shanghai 200336
China

Pulse South Asia

135 Joo Seng Road
#03-02
PM Industrial Bldg.
Singapore 368363

Tel: 65 6287 8998
Fax: 65 6287 8998

Pulse North Asia

3F, No. 198
Zhongyuan Road
Zhongli City
Taoyuan County 320
Taiwan R. O. C.
Tel: 886 3 4356768
Fax: 886 3 4356823
(Pulse)

Performance warranty of products offered on this data sheet is limited to the parameters specified. Data is subject to change without notice. Other brand and product names mentioned herein may be trademarks or registered trademarks of their respective owners. © Copyright, 2011. Pulse Electronics, Inc. All rights reserved.