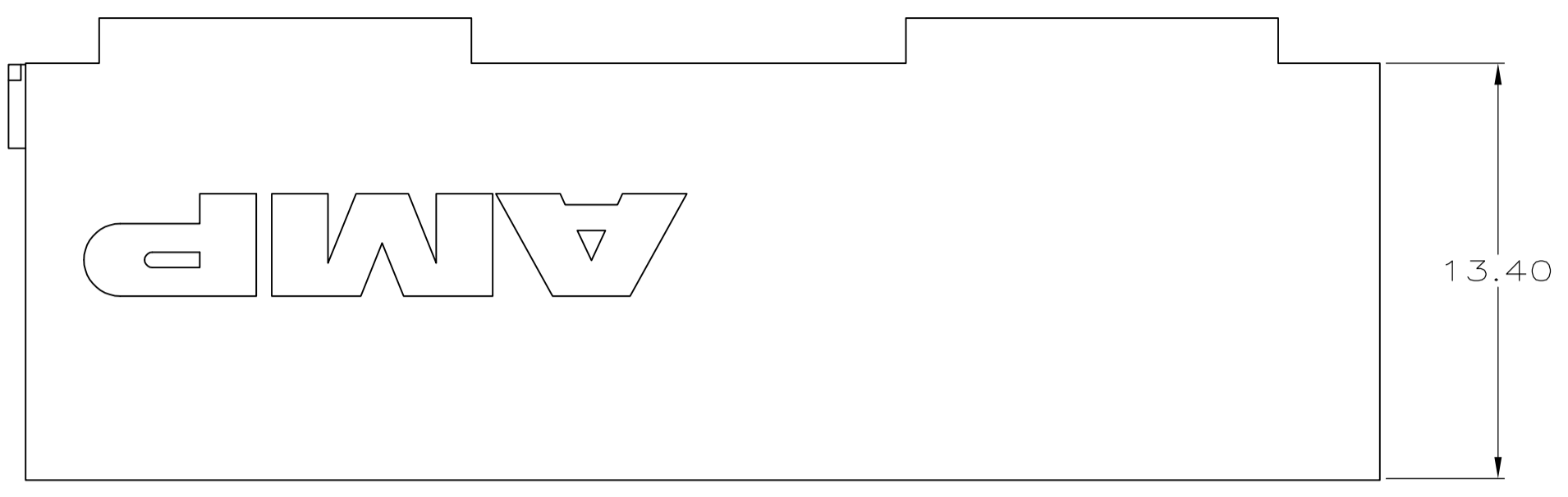
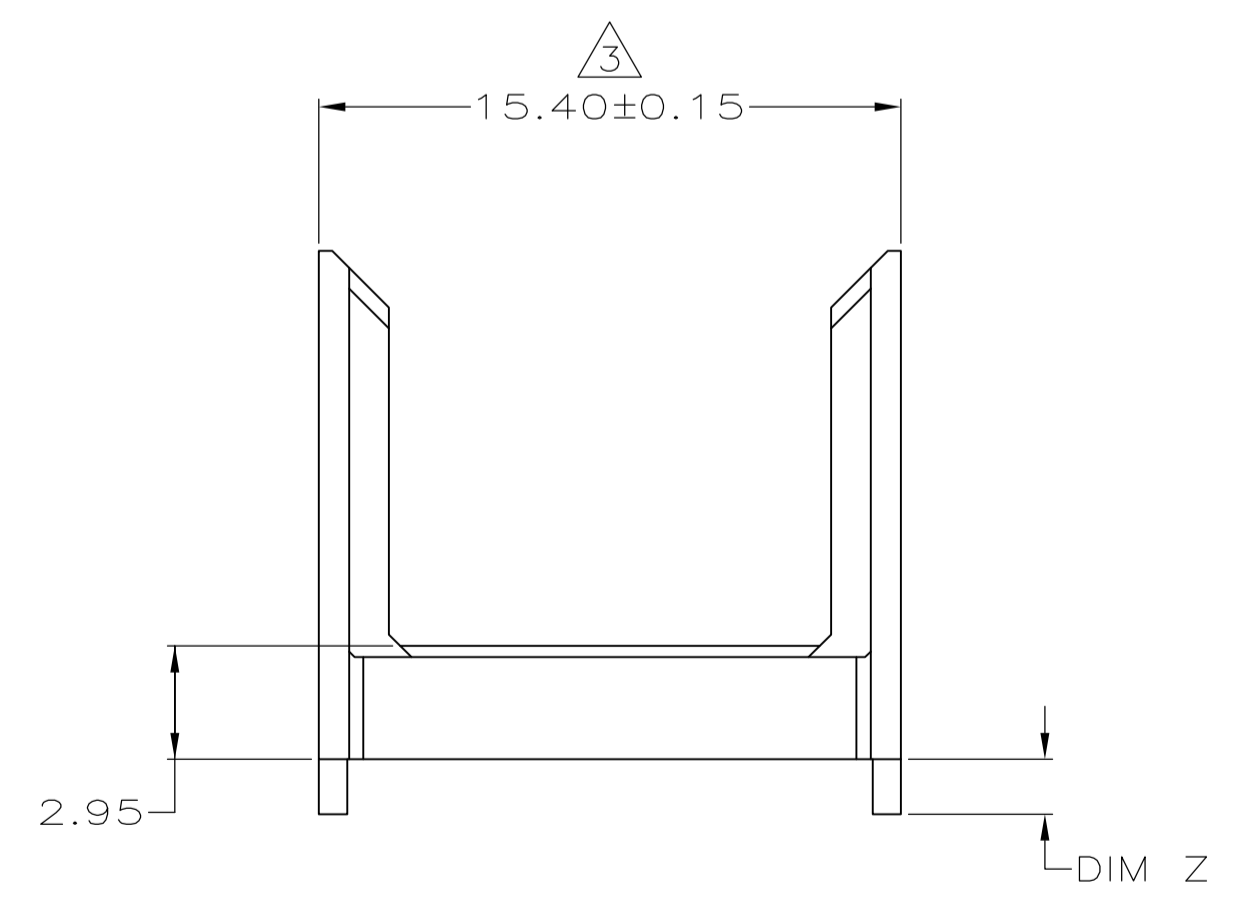
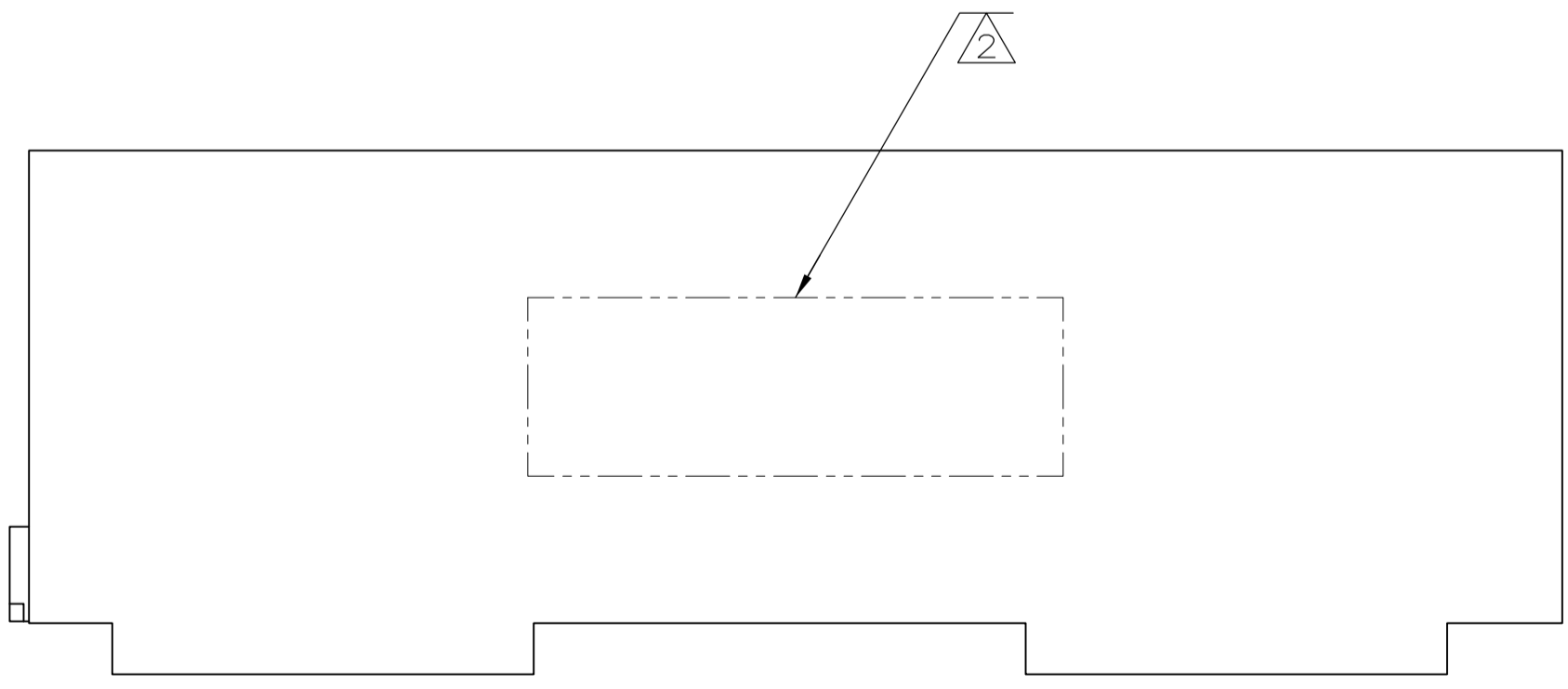
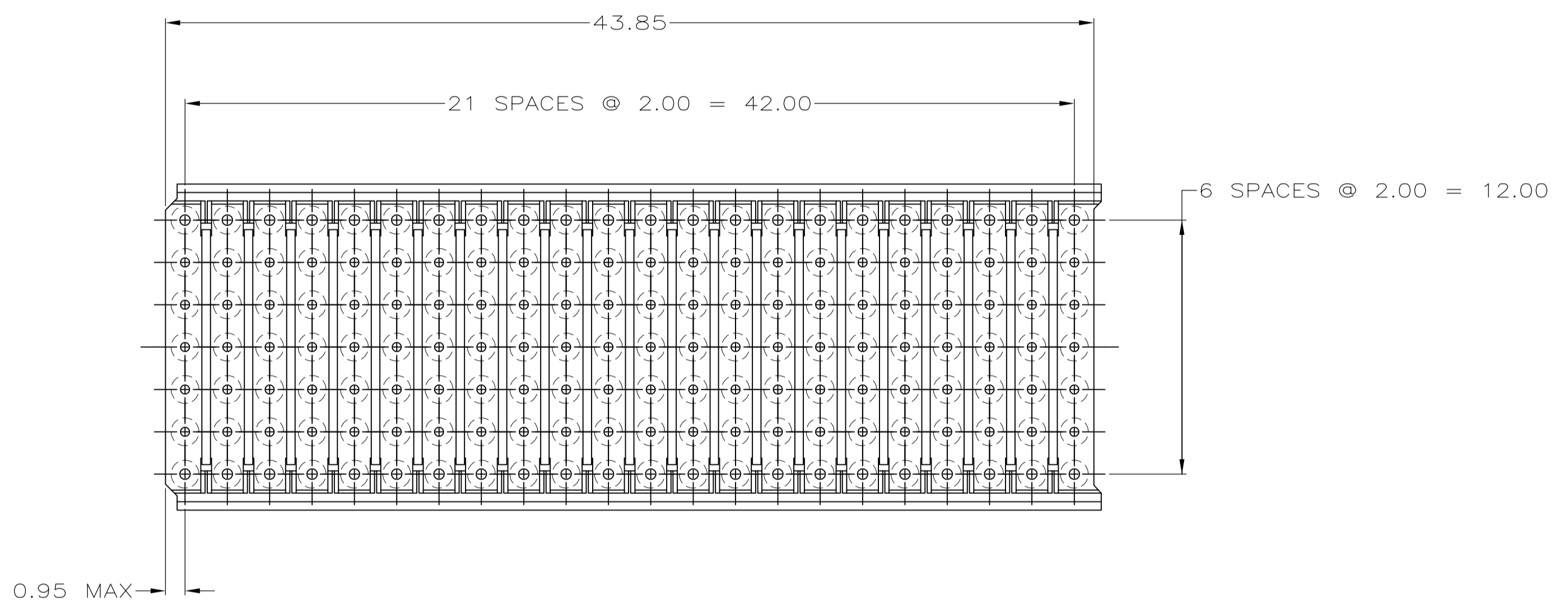


LOC		DIST		REVISIONS				
AD	47	SP	LTR	DESCRIPTION	DATE	DWN	APVD	
		C		REV PER EC 0U1B-0192-01	27 JUN 01	BC	RP	
		C1		REVISED PER ECO-10-000443	15JAN10	KK	AEQ	
		D		ECR-10-019054	15SEP10	DP	MQW	



- △ MATERIAL: GLASS FILLED POLYESTER.
- △ PART NUMBER MARKED IN APPROXIMATE AREA SHOWN.
- △ TO BE MEASURED AT BASE OF SHROUD.
- △ OBSOLETE PARTS: OBSOLETE CIS STREAMLINING PER D.RENAUD/D.SINISI



△ OBSOLETE	1.90	646482-7
△ OBSOLETE	1.70	646482-6
	1.50	646482-5
	1.30	646482-4
△ OBSOLETE	1.10	646482-3
	0.90	646482-2
		646482-1
	DIM Z	PART NUMBER

THIS DRAWING IS A CONTROLLED DOCUMENT

DIMENSIONS:	TOLERANCES UNLESS OTHERWISE SPECIFIED:	DWN	T. SHUEY	9-29-98
mm	0-PLC ±	CHK	G. SKIPPER	11-23-98
	1-PLC ±	APVD	G. SKIPPER	11-23-98
	2-PLC ±0.05	NAME	SHROUD, TYPE B,Z-PACK 2mm HM, 5 ROW, 154 POSITION	
	3-PLC ±	APPLICATION SPEC	-	
	4-PLC ±	WEIGHT	-	
	ANGLES	CUSTOMER DRAWING	-	

AMP Incorporated Harrisburg, PA 17105-3608

SIZE: A100779 CAGE CODE: 646482 DRAWING NO: 646482 RESTRICTED TO: -

SCALE: 5:1 SHEET: 1 OF 1 REV: D