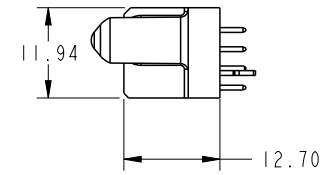
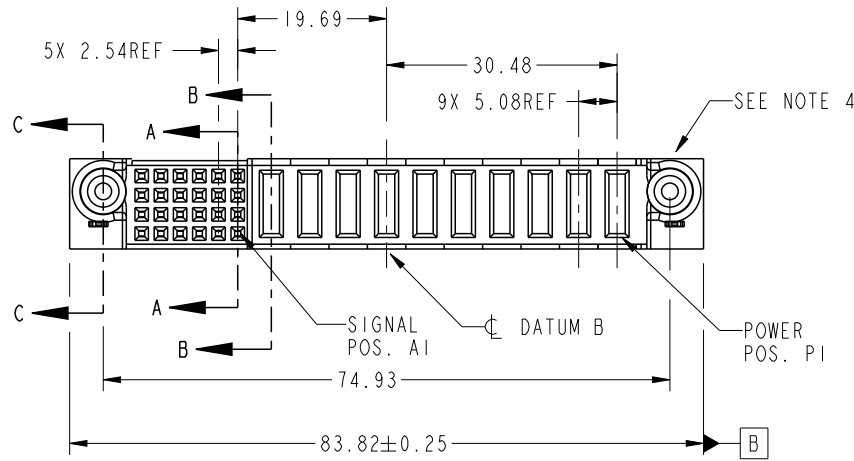


PRODUCT NO.	ROWS	SIGNAL					POWER										E1			
		E2	6	5	4	3	2	1	P10	P9	P8	P7	P6	P5	P4	P3		P2	P1	
51940-123 NOTE ③	D C B A		E	E	E	E	E	E	E	E	E	E	E	E	E	E	E	E	E	



CODE	DIM "M" MATING LENGTH	CONTACT TYPE
E	N/A [N/A]	SIGNAL
PA	0.042 [1.07]	POWER
HA	N/A [N/A]	HOLD-DOWN

spec ref	*	dr	w wcadmin	2006/06/19	projection	MM	size	A4	scale	1:1		
tolerance std	TOLERANCES UNLESS OTHERWISE SPECIFIED	eng	Luo Weller	2014/11/05			ecn no	ELX-DG-19309-1				
		chr	-	-	product family		PwrBlade					
surface	✓	appr	Pei-Ming Zheng	2014/11/05	rel level	Released						
linear	0.X	±0.50		title	10P + 24S VERTICAL SOLDER RECEPT		dwg no	51940-123			rev	B
	0.XX	±0.25										
	0.XXX	±0.10										
angular	0°	±2°	www.fci.com	cat. no.	*	Product - Customer Drw			sheet 1 of 4			

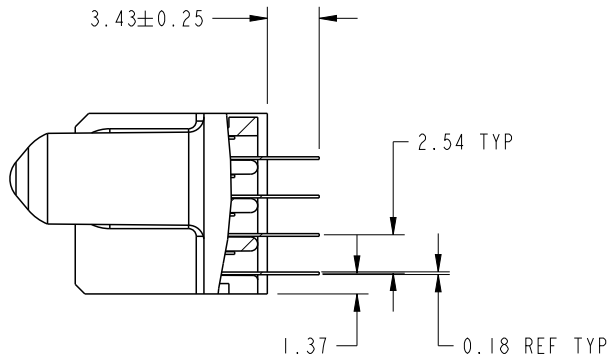


Copyright FCI.

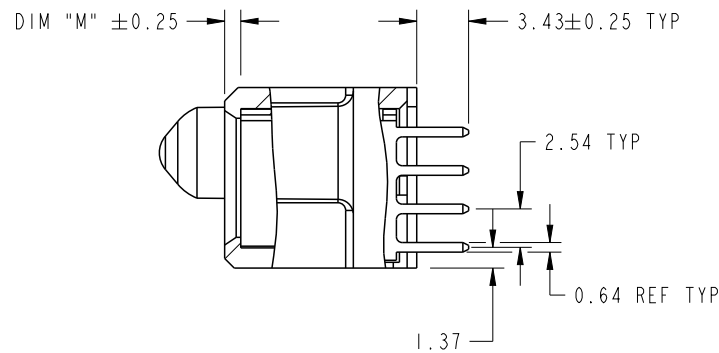
PrdE File - REV C - 2009-06-09

PRODUCT NUMBER

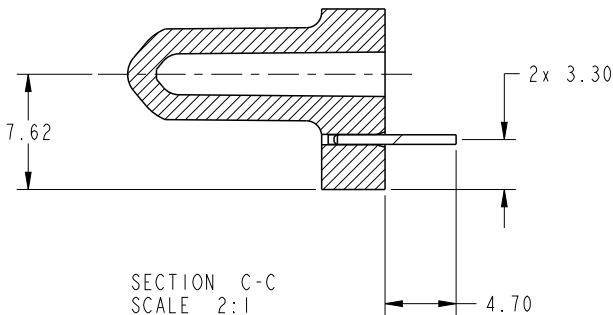
51940-123_ _
NOTE ③



SECTION A-A
SCALE 2:1



SECTION B-B
SCALE 2:1

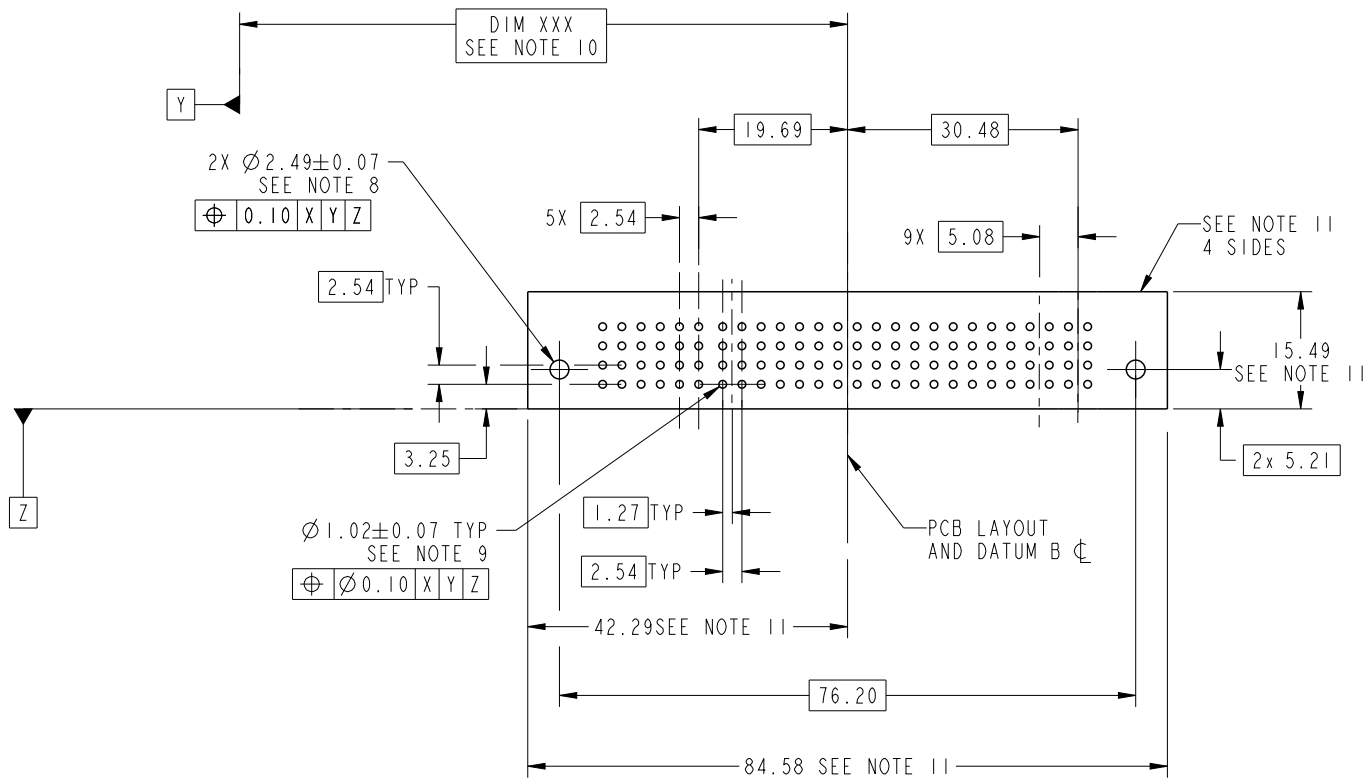


SECTION C-C
SCALE 2:1

dr	wcadmin	2006/06/19	projection 	MM 	size	A4	scale	1:1	
eng	Luo Weller	2014/11/05			ecn no	ELX-DG-19309-1			
chr	-	-			rel level	Released			
appr	Pei-Ming Zheng	2014/11/05	product family	PwrBlade					
	title	10P + 24S VERTICAL SOLDER RECEIPT		dwg no	51940-123		rev	B	
www.fci.com	cat. no.	*	Product - Customer Drw			sheet 2 of 4			

PRODUCT NUMBER

51940-123
NOTE ③



dr	w cadmin	2006/06/19	projection 	MM 	size	A4	scale	1:1	
eng	Luo Weller	2014/11/05			ecn no	ELX-DG-19309-1			
chr	-	-			rel level	Released			
appr	Pei-Ming Zheng	2014/11/05	product family	PwrBlade					
		title	10P + 24S VERTICAL SOLDER RECEPT		dwg no	51940-123		rev	B
www.fci.com		cat. no.	*	Product - Customer Drw			sheet 3 of 4		

PRODUCT NUMBER

51940-123
NOTE ③

NOTES:

1. DIMENSIONS AND TOLERANCES ARE IN ACCORDANCE WITH ASME Y14.5M, 1994 UNLESS OTHERWISE SPECIFIED.

CONNECTOR NOTES:

② HOUSING MATERIAL: UL 94 V-0 GLASS FILLED HIGH-TEMP THERMOPLASTIC
POWER CONTACT MATERIAL: COPPER ALLOY
SIGNAL PIN MATERIAL: COPPER ALLOY

3. SEE ITEM 5 & 6 IN PRINT 10064183 FOR PLATING SPEC OF 51940-123 AND 51940-123LF RESPECTIVELY.

④ MANUFACTURER'S NAME, DATE CODE AND OPTIONAL P/N TO APPEAR ON THIS SURFACE. THE P/N CAN BE OMITTED IF THERE IS NOT ENOUGH SPACE ON THIS SURFACE.

5. PRODUCT SPECIFICATION GS-12-149.
APPLICATION SPECIFICATION BUS-20-067.

6. PACKAGED IN TRAYS.

PCB NOTES:

7. ALL HOLE DIAMETERS ARE FINISHED HOLE SIZE.

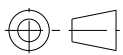
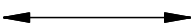

⑧ MOUNTING HOLES, WHERE APPLICABLE, ARE UNPLATED.

⑨ $\varnothing 1.151 \pm 0.025$ DRILLED HOLES PLATED WITH
0.008 MIN SnPb OR Sn OVER 0.03
TO 0.08 Cu PLATING TO ACHIEVE
 $\varnothing 1.02 \pm 0.07$ HOLE.

⑩ "DIM XXX" TO BE DETERMINED BY THE CUSTOMER.

⑪ CONNECTOR KEEP-OUT ZONE.

12. THE VOID CORING IN BETWEEN POWER MODULES, SIGNAL MODULES AND END MODULES ARE OPTIONAL AND THE SHAPE MAY BE DIFFERENT FOR OPTIMIZE THE MOLDING PROCESS. THE VOID CORING WILL NOT EFFECT TO PRODUCT FUNCTION.

dr	w wadmin	2006/06/19	projection 	MM 	size	A4	scale	1:1
eng	Luo Weller	2014/11/05			ecn no	ELX-DG-19309-1		
chr	-	-			rel level	Released		
appr	Pei-Ming Zheng	2014/11/05	product family	PwrBlade		rev	B	
		title	10P + 24S VERTICAL SOLDER RECEPT		dwg no	51940-123		
www.fci.com	cat. no.	*	Product - Customer Drw			sheet 4 of 4		