

THE INFORMATION CONTAINED HEREIN IS CONSIDERED "PROPRIETARY" TO BEL FUSE INC. AND SHALL NOT BE COPIED, REPRODUCED OR DISCLOSED WITHOUT THE WRITTEN APPROVAL OF BEL FUSE INC.

RoHS  
2002/95/EC

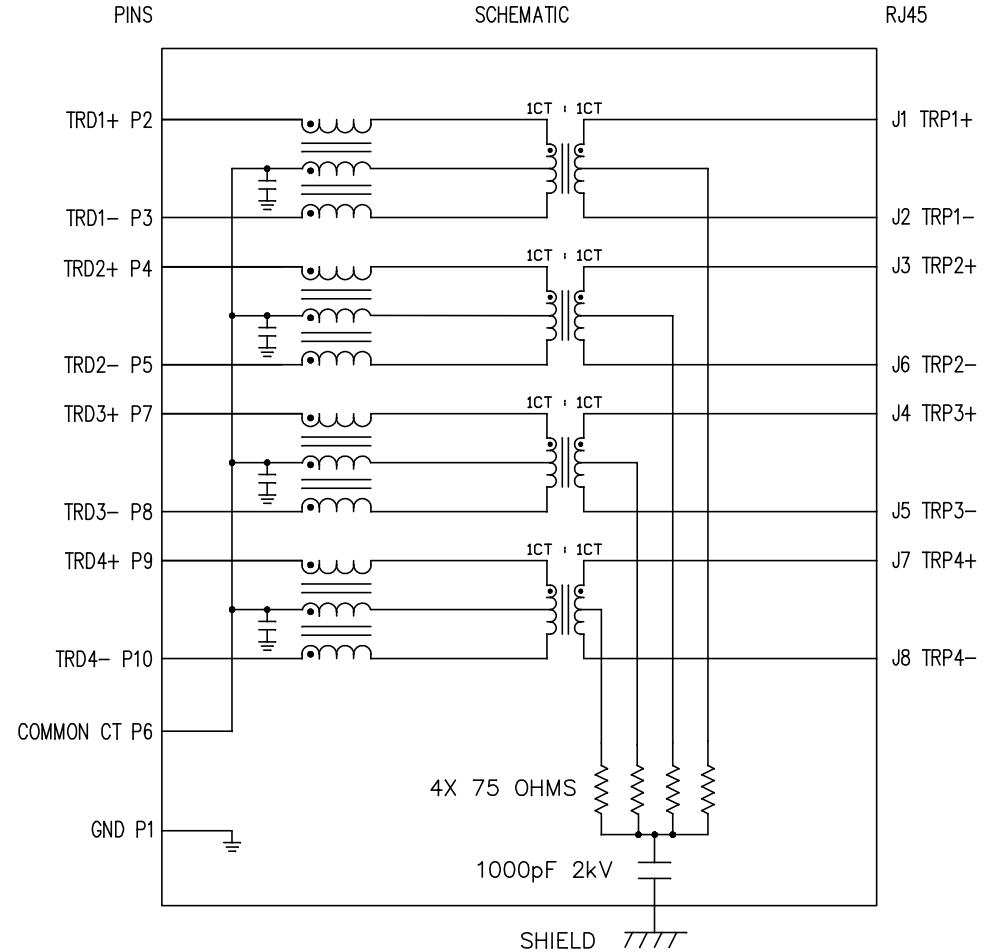


ELECTRICAL SPECIFICATIONS:

DESIGNED FOR OPERATION FROM -40 TO 85 degrees C

- 1.0 INDUCTANCE: (P2-P3) : 350uH MIN. @ 0.1V, 100KHz, 8mA DC Bias  
(P4-P5) : 350uH MIN. @ 0.1V, 100KHz, 8mA DC Bias  
(P7-P8) : 350uH MIN. @ 0.1V, 100KHz, 8mA DC Bias  
(P9-P10) : 350uH MIN. @ 0.1V, 100KHz, 8mA DC Bias
- 2.0 TURNS RATIO: (P2-P3) : (J1-J2) : 1CT : 1CT ± 2%  
(P4-P5) : (J3-J6) : 1CT : 1CT ± 2%  
(P7-P8) : (J4-J5) : 1CT : 1CT ± 2%  
(P9-P10) : (J7-J8) : 1CT : 1CT ± 2%
- 3.0 RETURN LOSS: 100 OHM REF.  
500kHz TO 40MHz : -18dB MIN.  
40MHz TO 100MHz : -12+20LOG(f/80MHZ) MIN.
- 4.0 INSERTION LOSS: RS=RL=100 OHMS  
100kHz TO 100MHz : 1.2dB MAX.
- 5.0 CROSS TALK: Ch1-Ch2, Ch1-Ch3, Ch1-Ch4, Ch2-Ch3, Ch2-Ch4, Ch3-Ch4  
1MHz TO 30MHz : -35dB MIN.  
30MHz TO 80MHz : -24dB MIN.  
80MHz TO 100MHz : -25dB MIN.
- 6.0 CM TO CM REJECTION: 100kHz TO 100MHz : -30dB MIN.
- 7.0 CM TO DM REJECTION: 100kHz TO 100MHz : -35dB MIN.
- 8.0 VOLTAGE WITHSTAND: (J1, J2) TO (P2, P3) : 1500 Vrms  
(J3, J6) TO (P4, P5) : 1500 Vrms  
(J4, J5) TO (P7, P8) : 1500 Vrms  
(J7, J8) TO (P9, P10) : 1500 Vrms

9.0 THIS COMPONENT IS A PATENT PRODUCT;US PATENT NUMBER 7,123,117.



ORIGINATED BY	DATE
Zeng Xiao Chun	03-21-2011
DRAWN BY	DATE
Zhang Ru Sheng	03-21-2011

TITLE
<b>MagJack®</b> TAB UP SHIELDED 10/100/100BT PATENTED

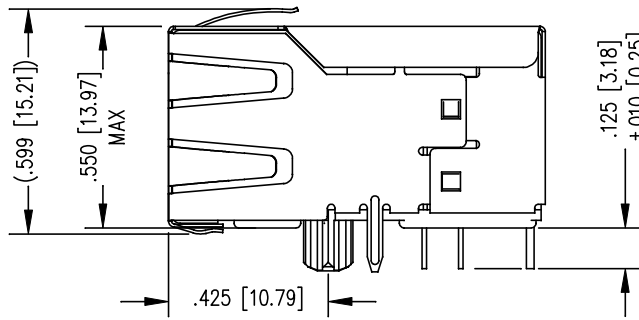
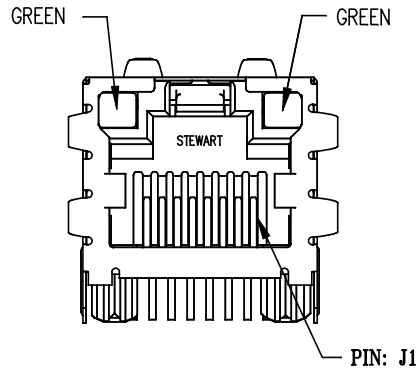
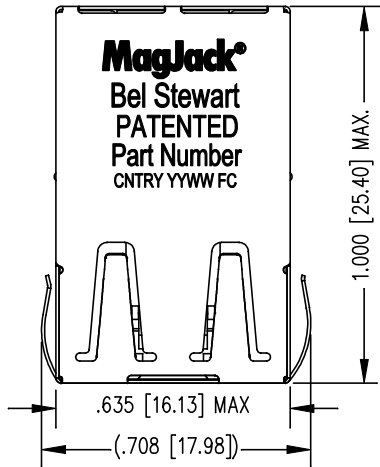
PART NO. / DRAWING NO.	STANDARD DIM.
SI-51021-F	TOL. IN INCH
FILE NAME	
SI-51021-F.DWG	
	.X
	.XX
	.XXX
	±0.005

[ ] METRIC DIM. AS REFERENCE	
UNIT : INCH [mm]	REV. : 02
SCALE : N/A	SIZE : A4
	PAGE : 2



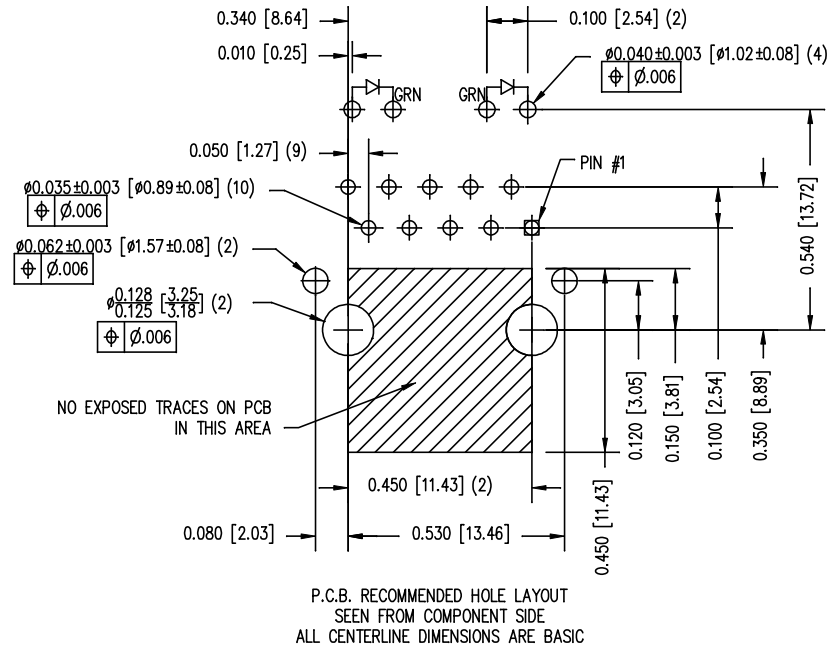
THE INFORMATION CONTAINED HEREIN IS CONSIDERED "PROPRIETARY" TO BEL FUSE INC. AND SHALL NOT BE COPIED, REPRODUCED OR DISCLOSED WITHOUT THE WRITTEN APPROVAL OF BEL FUSE INC.

RoHS  
2002/95/EC



LED SPECIFICATION			
STANDARD LED	WAVELENGTH	FORWARD V (MAX)	* (TYP)
GREEN	565 nm	2.5 V	2.2 V

\*WITH A FORWARD CURRENT OF 20 mA (TYP)



NOTES:

- CONNECTOR MATERIALS:  
HOUSING: THERMOPLASTIC UL94 V-0  
CONTACT/SHIELD: COPPER ALLOY  
SHIELD PLATING: NICKEL OR TIN  
CONTACT PLATING: SELECTIVE GOLD,  
50 MICRO-INCHES MIN. IN CONTACT AREA.
- PIN NOT ELECTRICALLY CONNECTED MAYBE OMITTED.  
SEE ELECTRICAL DRAWING FOR OMITTED PINS.
- TOLERANCES COMPLY WITH F.C.C. DIMENSION REQUIREMENTS.
- ALL TOLERANCES NOT OTHERWISE SPECIFIED TO BE ±0.05 [0.13]
- REFLOW AND WAVE SOLDER COMPATIBLE -260°C FOR 10 SECONDS MAX.

ORIGINATED BY	DATE
Zeng Xiao Chun	03-21-2011
DRAWN BY	DATE
Zhang Ru Sheng	03-21-2011

TITLE
<b>MagJack®</b> TAB UP SHIELDED 10/100/100BT PATENTED

PART NO. / DRAWING NO.
SI-51021-F
FILE NAME
SI-51021-F.DWG

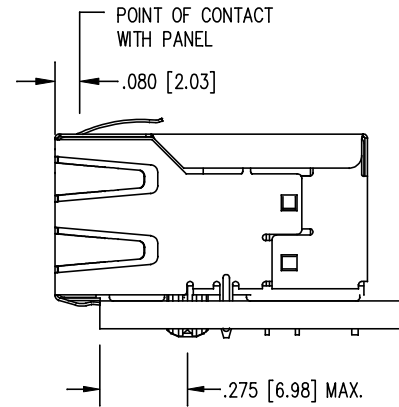
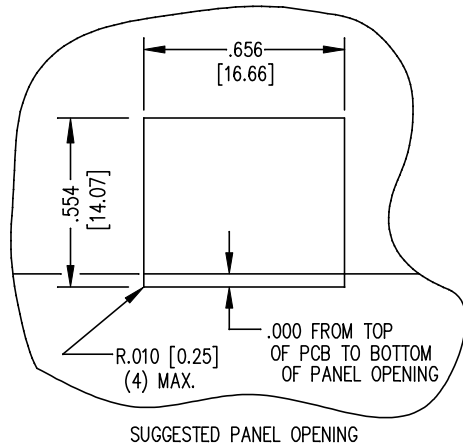
STANDARD DIM.	[ ] METRIC DIM. AS REFERENCE
TOL. IN INCH	UNIT : INCH [mm]
.X	REV. : 02
.XX	SCALE : N/A
.XXX	SIZE : A4
±0.005	PAGE : 3

UNIT : INCH [mm]	REV. : 02
SCALE : N/A	SIZE : A4
SIZE : A4	PAGE : 3



THE INFORMATION CONTAINED HEREIN IS CONSIDERED "PROPRIETARY" TO BEL FUSE INC. AND SHALL NOT BE COPIED, REPRODUCED OR DISCLOSED WITHOUT THE WRITTEN APPROVAL OF BEL FUSE INC.

RoHS  
2002/95/EC



1. THE SUGGESTED PANEL OPENING IS INTENDED TO GIVE THE USER THE ABILITY TO HAVE REASONABLE JACK / PANEL CLEARANCES YET MAINTAIN RELIABLE GROUNDING CAPABILITY.
2. ALL TOLERANCES NOT OTHERWISE SPECIFIED TO BE  $\pm 0.005$  [0.13]

ORIGINATED BY <b>Zeng Xiao Chun</b>	DATE <b>03-21-2011</b>	TITLE <b>MagJack® TAB UP SHIELDED 10/100/100BT PATENTED</b>	PART NO. / DRAWING NO. <b>SI-51021-F</b>		STANDARD DIM. TOL. IN INCH		[ ] METRIC DIM. AS REFERENCE		<b>bel</b> COMPONENTS OR A CONNECTED PLANET
			FILE NAME <b>SI-51021-F.DWG</b>		.X		UNIT : INCH [mm]	REV. : 02	
DRAWN BY <b>Zhang Ru Sheng</b>	DATE <b>03-21-2011</b>				.XX		SCALE : N/A	SIZE : A4	
					.XXX	$\pm 0.005$		PAGE : 4	