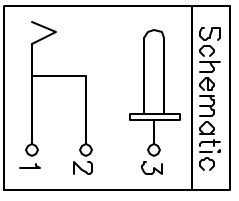
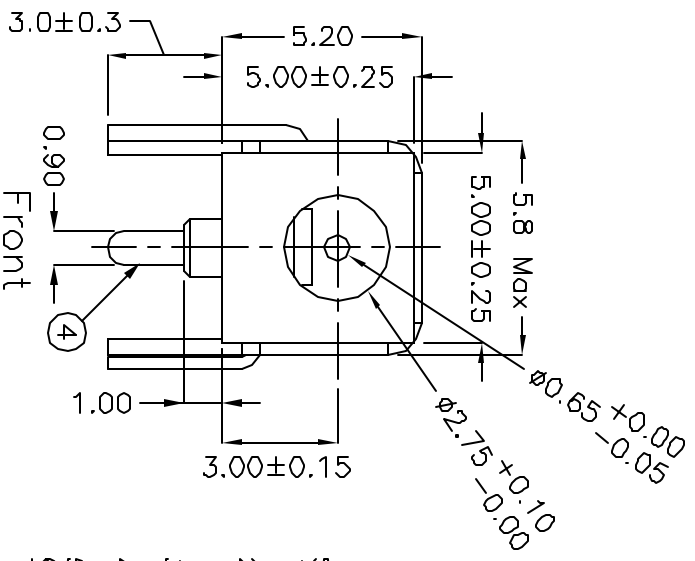


Note: ±0.2 for PCB Layout



- Specifications:
1. Insulation Resistance: 100MΩhms min. (Initial)
 2. Contact Resistance (Initial): 30mΩhms max at 100mA(max) 1KHz.
 3. Dielectric Withstand Voltage: AC 250V, 50 to 60Hz for 1 minute.
 4. Endurance: 5,000 Cycles 10 ~ 20 cycles per minute.
 5. Rated Voltage: 3.15 Volts DC
 6. Rated Current: 2.0 Amps DC
 7. Operating Temp: -25 to +85 deg. C.

Unless otherwise specified:
Dimensions Tolerance on Decimals ±0.3

No.	Description	Material	Finish	Qty	Note
5	Shield	SPCC	Nickel	1	40T
4	Center Pin	PBW	Silver	1	∅0.65
3	Shunt Terminal	Brass	Silver	1	40T
2	Spring Contact	Ti-Cu Alloy	Silver	1	30T
1	Plastic Housing	Polyamide	Black Color	1	UL94V-0

CUI INC
 9815 SW Allen, Suite 103
 Beaverton, OR 97005
 Phone: (503) 643-4899
 800-276-4899
 Fax: (503) 372-1266
 Website: www.cui.com