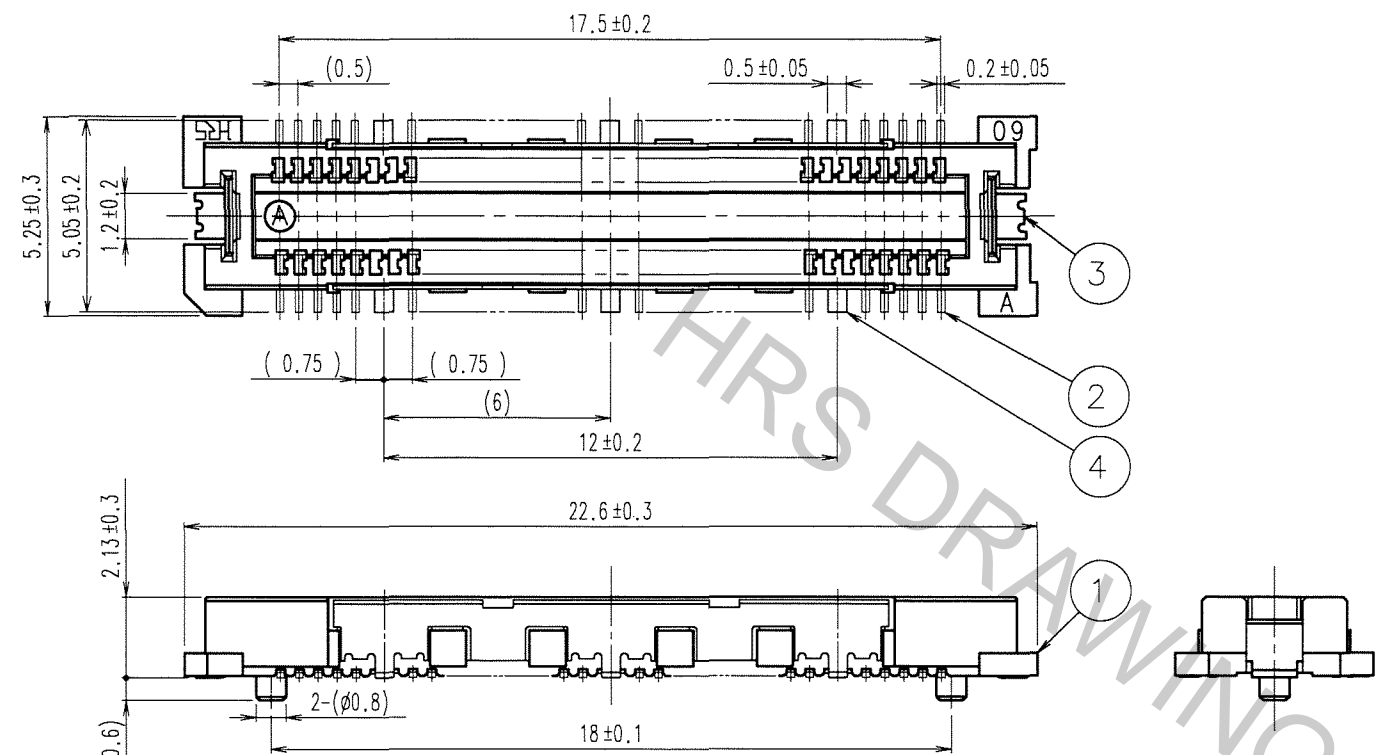
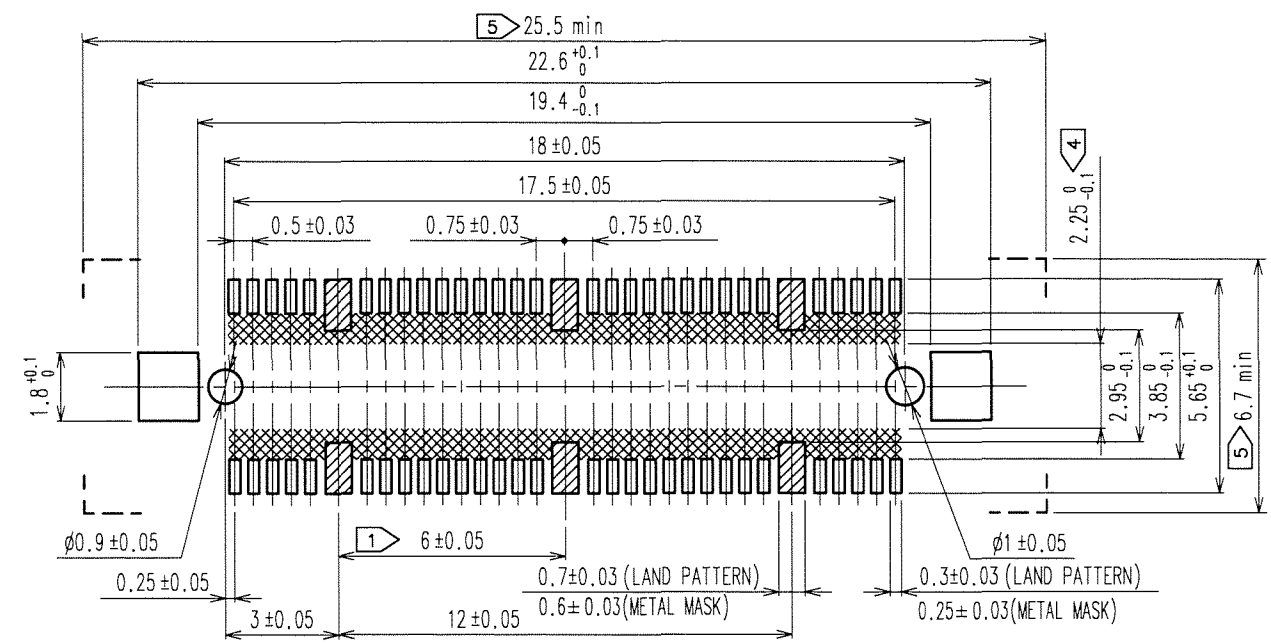


Apr.1.2017 Copyright 2017 HIROSE ELECTRIC CO., LTD. All Rights Reserved.

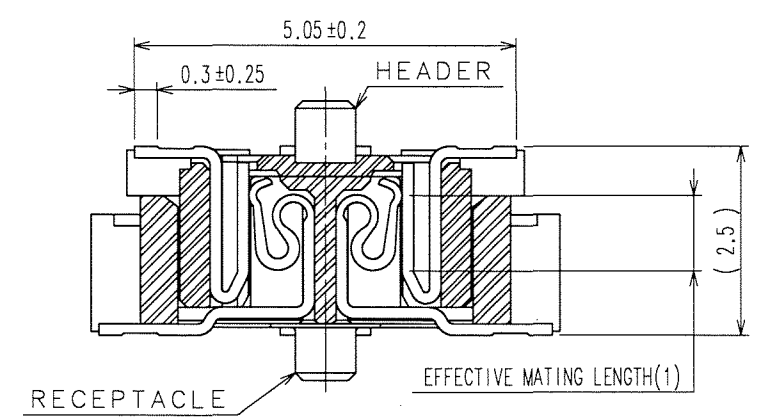
| COUNT | DESCRIPTION OF REVISIONS | BY | CHKD | DATE | COUNT | DESCRIPTION OF REVISIONS | BY | CHKD | DATE |
|-------|--------------------------|----|------|------|-------|--------------------------|----|------|------|
| △ | | | | | △ | | | | |
| △ | | | | | △ | | | | |
| △ | | | | | △ | | | | |



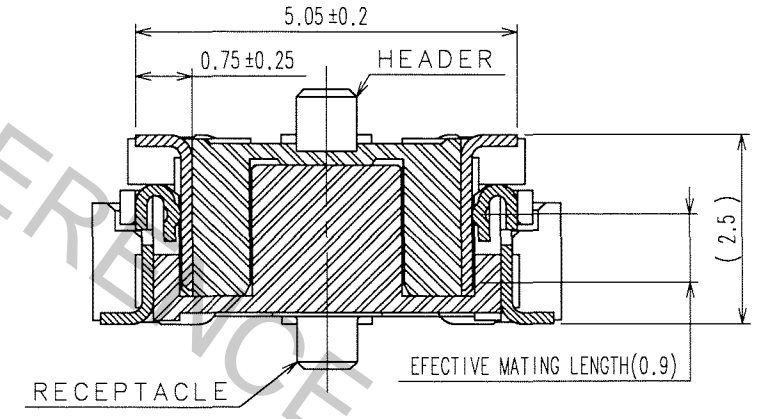
RECOMMENDED LAND PATTERN DIMENSION OF PCB



SIGNAL PORTION CROSS SECTION (10 : 1)



GROUND PORTION CROSS SECTION (10 : 1)



- NOTES
- ① 6 HATCHED PARTS:GROUND CIRCUIT.
 - ② SMT LEAD-COPLANARITY:0.1 MAX.
 - ③ THIS PRODUCT HAS NO POLARITY TO PATTERN FOR MOUNTING.
 - ④ MAKE SURE WIDTH OF PATTERN IS WITHIN THAT OF LAND ,OR LEAD MAY TOUCH PATTERN.(THIS APPLIES TO HATCHED AREA.)
 - ⑤ DO NOT MOUNT OTHER DEVICES ONTO AREA ,OR MATING PAIR CANNOT BE MATED.
 - ⑥ THE DIMENSIONS IN PARENTHESES ARE FOR REFERENCE.

| 3, 4 | PHOSPHOR BRONZE | TIN-PLATING | 2 | COPPER ALLOY | CONTACT AREA : GOLD 0.1μm min. |
|-------------------------------|-----------------|-----------------|--------------------------------|--------------------|---------------------------------|
| 1 | LCP | BEIGE UL94V-0 | | | LEAD AREA : GOLD FLASH |
| | | | | | UNDER PLATING : NICKEL 1μm min. |
| NO. | MATERIAL | FINISH, REMARKS | NO. | MATERIAL | FINISH, REMARKS |
| CODE NO. (OLD) CL | | | DRAWN | DESIGNED | CHECKED |
| | | | A. SUZUKAWA | <i>K. Nakamura</i> | <i>M. Ogawa</i> |
| | | | '06.10.11 | '06.10.11 | '06.10.11 |
| DRAWING NO. EDC3-152597-25 | | | PART NO. FX11A-60P/6-SV(71) | | |
| SCALE 5 : 1 | | | CODE NO. CL573-0502-0-71 | | |
| UNITS mm | | | 1/1 | | |

TO