

6

5

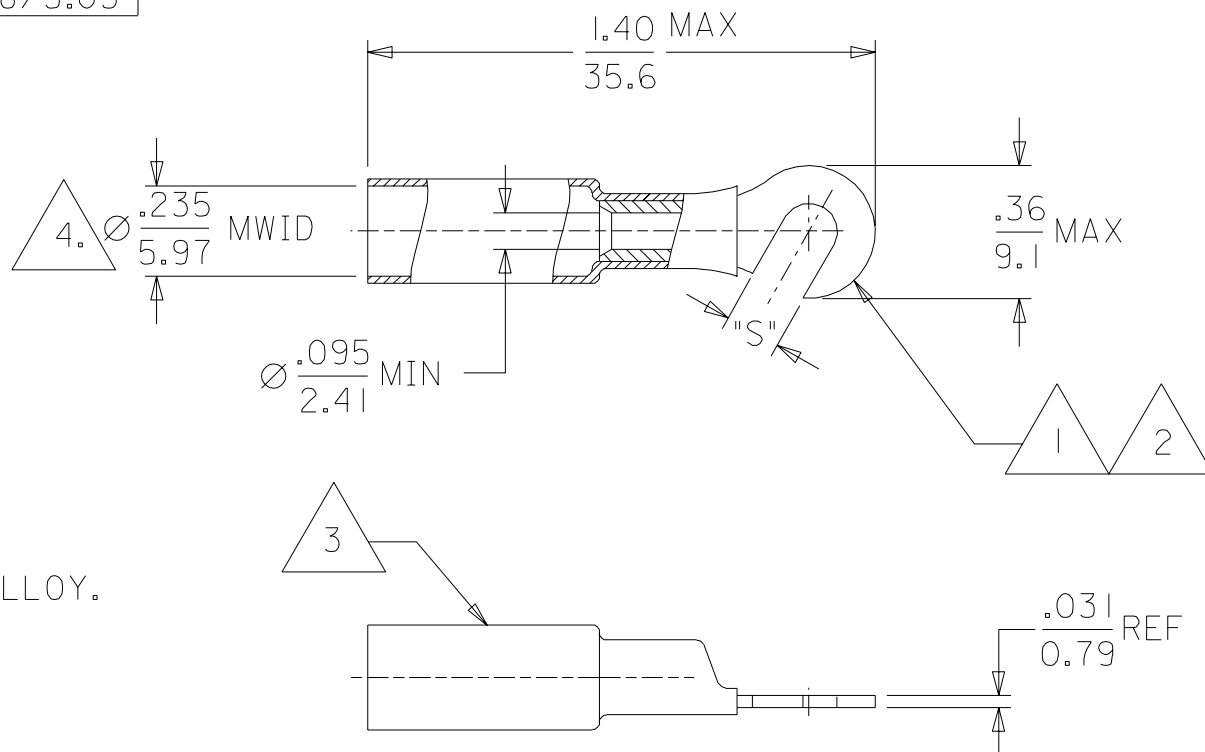
4

3

2

SD-19164-002

MATERIAL NO.	ENGINEERING NO.	"S" REF
191640141	SB-219-06	.146/3.71
191640142	SB-219-08	.173/4.39
191640021	SB-219-10	.198/5.03



NOTES:

1. TERMINAL MATERIAL: COPPER ALLOY.
2. FINISH: ELECTRO TIN PLATE.
3. INSULATOR MATERIAL: HEAT SHRINKABLE TUBING WITH HOTMELT ADHESIVE INNER LINER. COLOR: BLUE
4. MWID = MAXIMUM WIRE INSULATION DIAMETER.

CUSTOMER DRAWING

NEW RELEASE		EC NO. ETC2003-0071		DRWN: BRE 02/11/16		CHK: HEB 02/11/16		APPR: RWD 02/11/16		QUALITY SYMBOLS		GENERAL TOLERANCES: (UNLESS SPECIFIED)		SCALE 2:1		DESIGN UNITS		DIMENSIONS:		SHT		REV	
MAJOR		=0		CRITICAL		=0				mm		INCH		DRAWN BY & DATE		THIRD ANGLE PROJECTION		mm		INCH		REVISE ON CAD ONLY	
4 PLACES		±0.		±.		DRAWN BY & DATE		BRE 02/09/05		TITLE: HOOK TONGUE TERMINAL		PERMA-SEAL		CHECKED BY & DATE		HEB 02/09/05		16-14 AWG		MATERIAL NO.		DRAWING NO.	
3 PLACES		±0.		±.005		APPROVED BY & DATE		RWD 02/09/05		MOLEX INCORPORATED		MATERIAL NO.		DRAWING NO.		SHEET NO.		SEE CHART		SD-19164-002		1 OF 1	
2 PLACES		±0.13		±.01		ANGULAR: ±1/2°		CAD FILENAME		19164002		DGN		MATERIAL NO.		DRAWING NO.		SEE CHART		SD-19164-002		1 OF 1	
1 PLACE		±0.25		±.		DRAFT WHERE APPLICABLE MUST REMAIN WITHIN DIMENSIONS		THIS DRAWING CONTAINS INFORMATION THAT IS PROPRIETARY TO MOLEX INCORPORATED AND SHOULD NOT BE USED WITHOUT WRITTEN PERMISSION.														SIZE A	

5

4

3

2

1