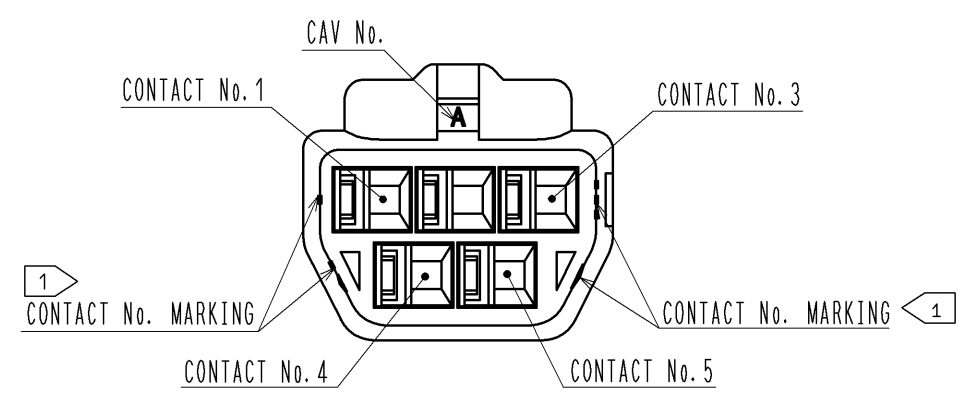
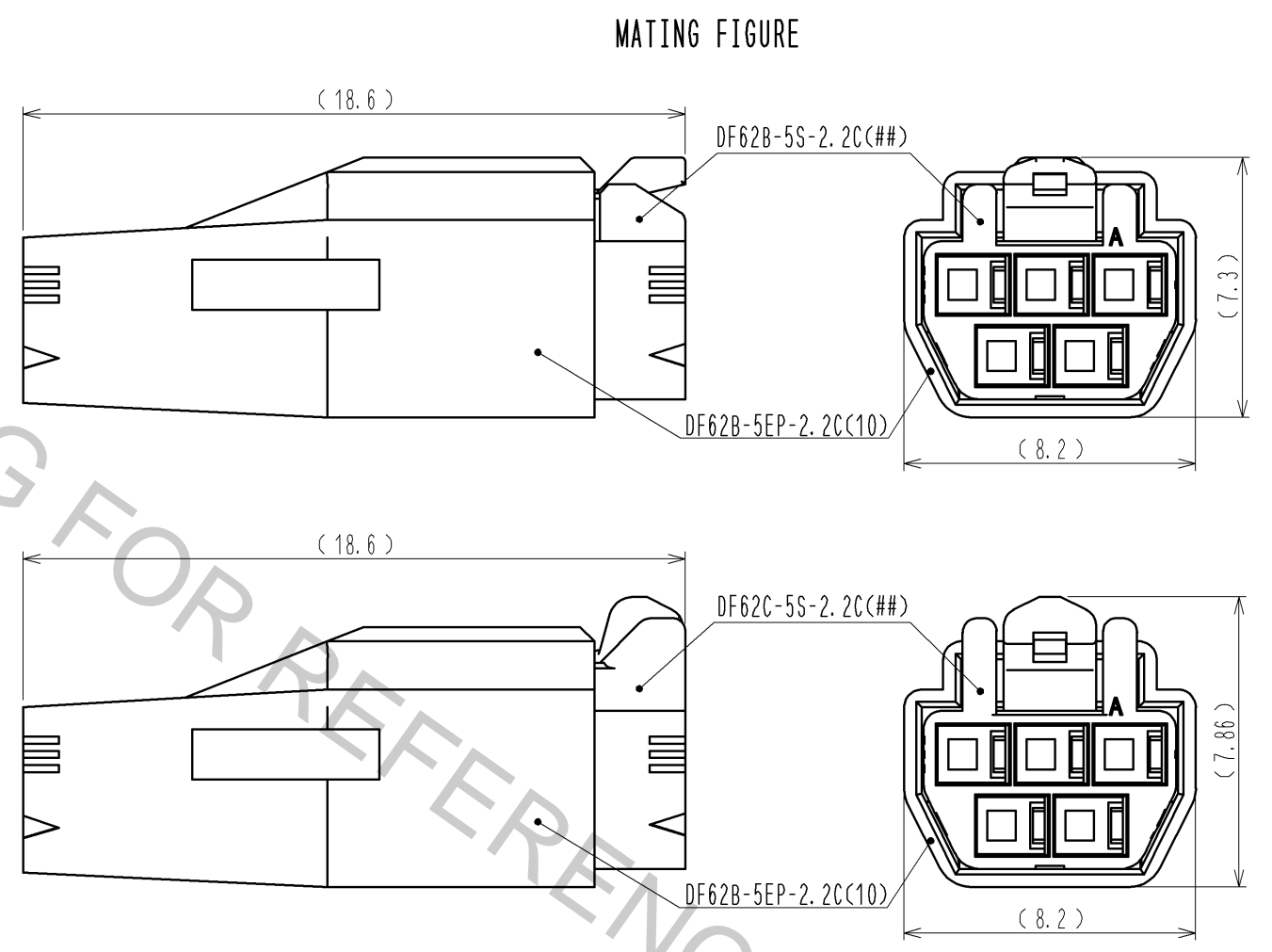
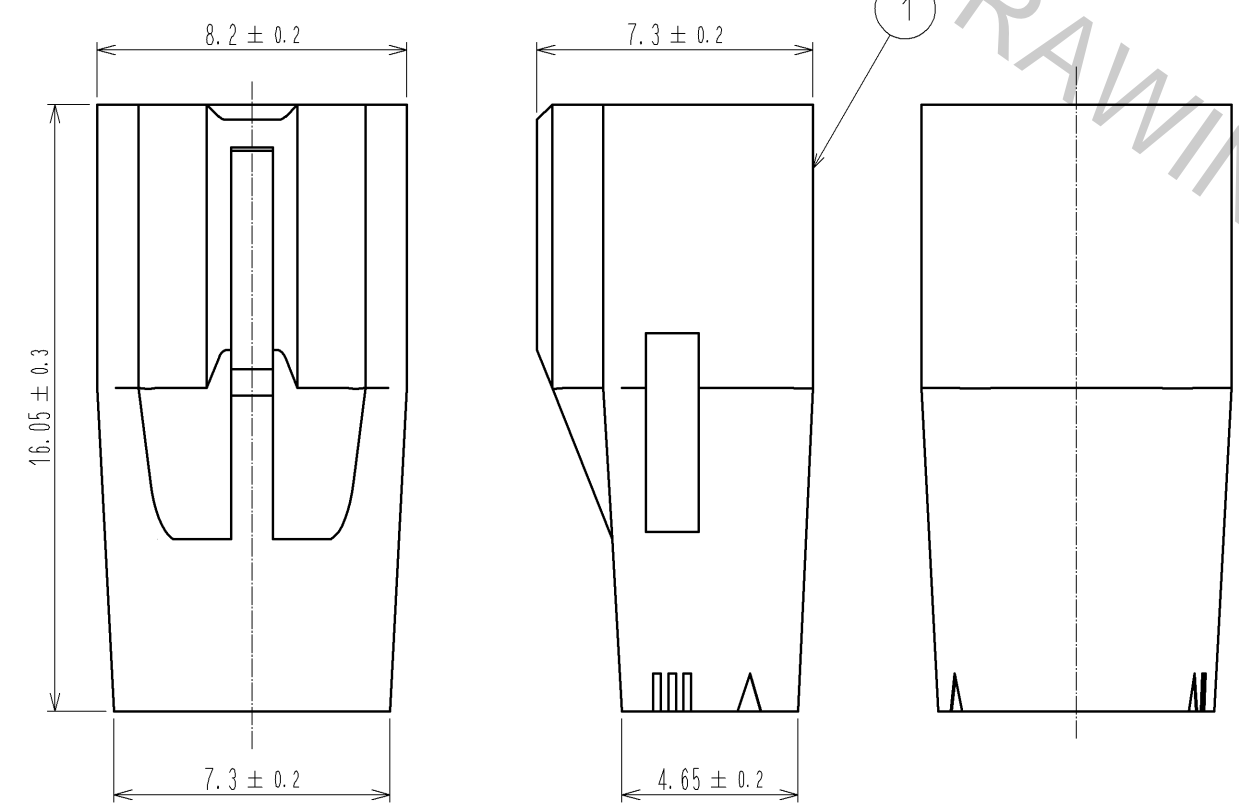
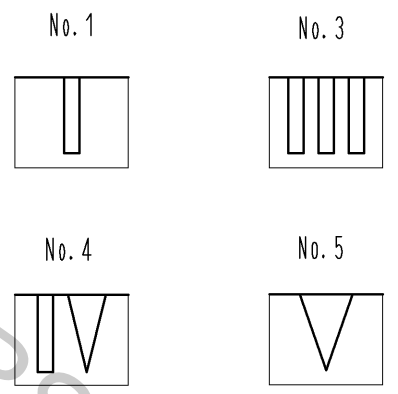


1 FIGURE-1 CONTACT No. MARKING (10:1)



NOTE. 1 MARKINGS AT THE INDICATED POSITIONS ARE CONTACT NO. MARKING. AND SHAPES ARE SHOWN IN FIGURE-1.  
 2. PER PACK : 100 PIECES.  
 3. THE DIMENSIONS IN PARENTHESIS ARE FOR REFERENCE.

NO.		MATERIAL		FINISH . REMARKS		1	PBT	UL94V-0 (WHITE)	
UNITS mm		SCALE 5 : 1		COUNT		DESCRIPTION OF REVISIONS		DESIGNED	CHECKED
HIROSE ELECTRIC CO., LTD.		APPROVED : KI. AKIYAMA		13. 09. 10		DRAWING NO.		EDC3-351966-01	
		CHECKED : OM. MIYAMOTO		13. 09. 10		PART NO.		DF62B-5EP-2. 2C(10)	
		DESIGNED : TH. YOSHIZAWA		13. 09. 09		CODE NO.		CL544-0561-3-10	
		DRAWN : MI. SAKIMURA		13. 09. 04					