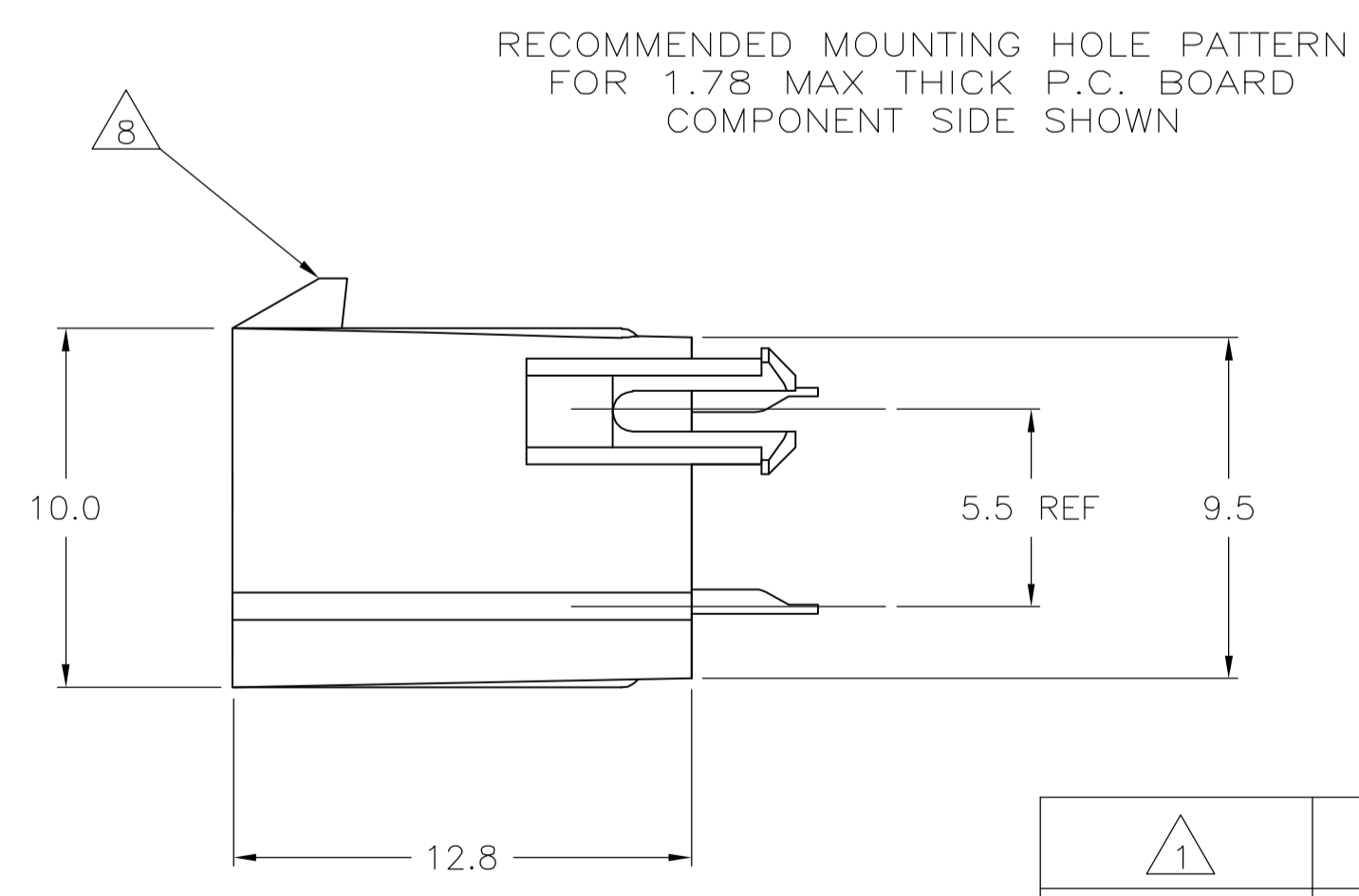
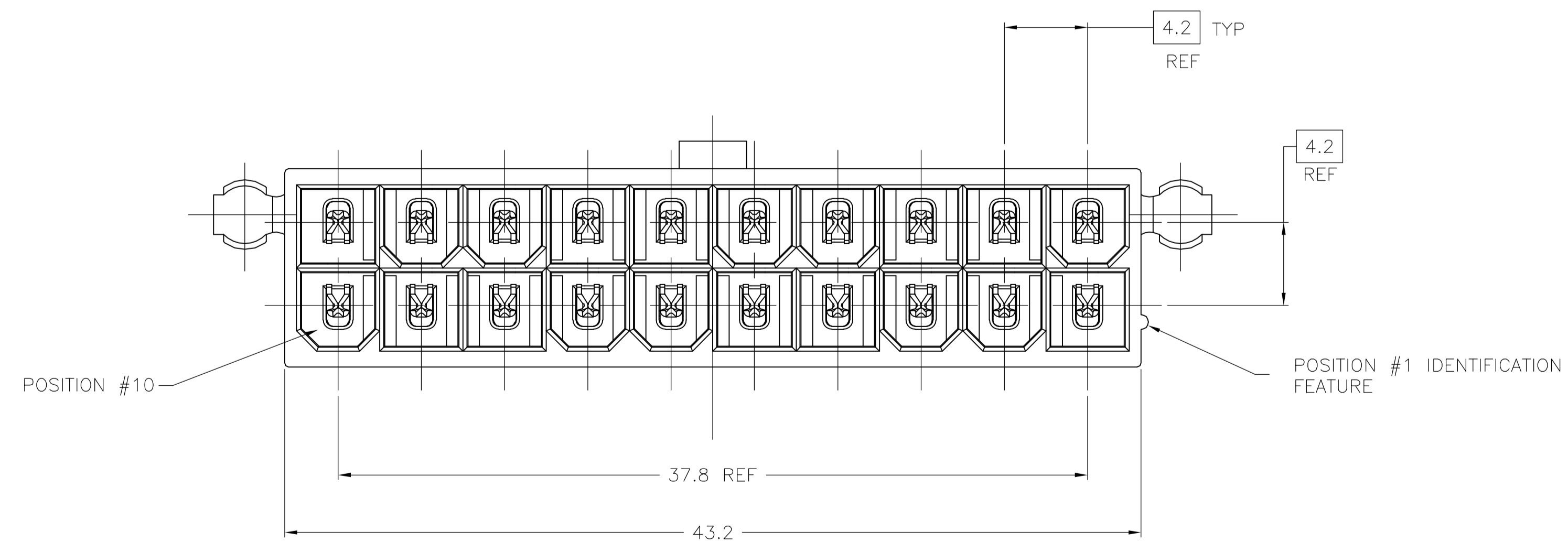
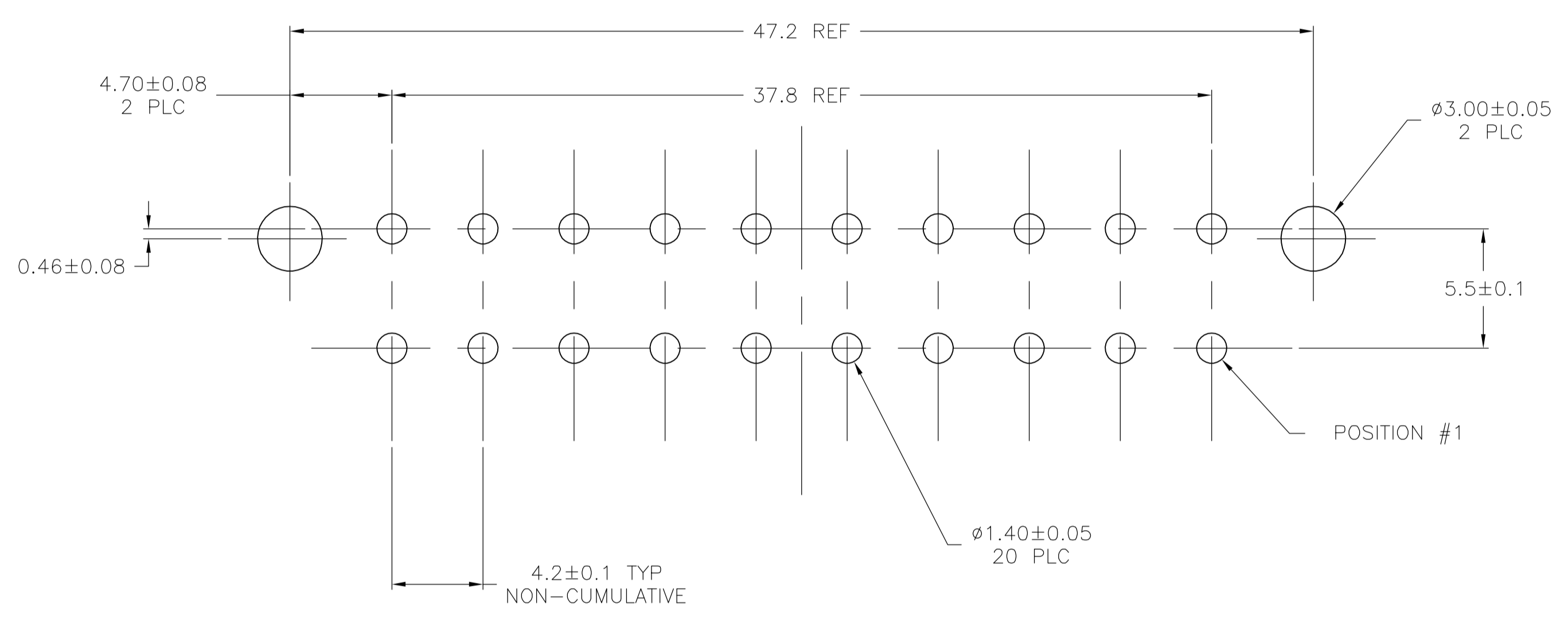
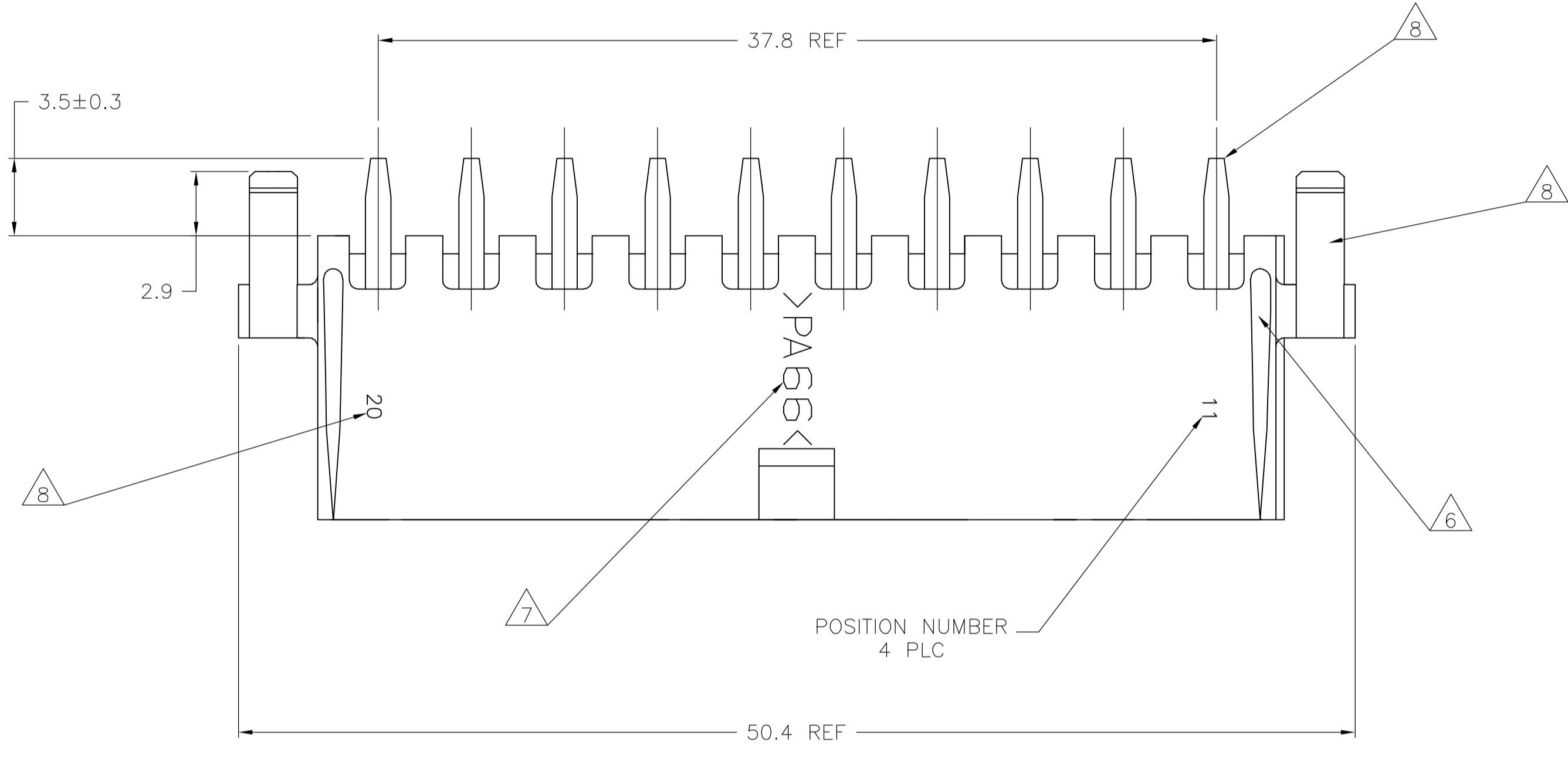


- 1 MATERIAL:
HOUSING: NYLON, UL94V-2 (COLOR - NATURAL, COLOR OF PARTS MAY VARY).
CONTACTS: 0.25 THK COPPER ALLOY.
- 2 CONTACT FINISH: 0.003 MIN THK TIN-LEAD OVER 0.00127 MIN THK NICKEL OVER ENTIRE CONTACT.
- 3 CONTACT FINISH: 0.00076 MIN THK GOLD PLATE ON PIN MATING SURFACE, 0.003 MIN THK TIN-LEAD PLATE ON SOLDER TAIL, ALL OVER 0.00127 MIN THK NICKEL BASE PLATE.
- 4 SOLDER TAIL MEETS AMP SOLDERABILITY SPECIFICATION 109-11-2.
- 5 MATES WITH SIMILARLY PLATED AMP-DUAC™ POWER CONNECTOR RECEPTACLE HOUSINGS/SOCKET CONTACTS.
- 6 RIBS ON FOUR CORNERS OPTIONAL.
- 7 AMP LOGO AND MATERIAL ID MAY BE LOCATED ON EITHER LONG SIDE OF PART.
- 8 SIZE, SHAPE OR STYLE OF THIS FEATURE MAY VARY.
- 9 CONTACT FINISH: 0.003 MIN THK TIN OVER 0.00127 MIN THK NICKEL OVER ENTIRE CONTACT.
- 10 CONTACT FINISH: 0.00076 MIN THK GOLD PLATE ON PIN MATING SURFACE, 0.003 MIN THK TIN PLATE ON SOLDER TAIL, ALL OVER 0.00127 MIN THK NICKEL BASE PLATE.



SUPERCEDED BY 1-794311-2
 SUPERCEDED BY 1-794311-1

1	10	1	1	1-794311-2
1	9	1	1	1-794311-1
1	3	1	1	794311-2
1	2	1	1	794311-1
MATERIAL	FINISH	MATERIAL	COLOR	PART NO

THIS DRAWING IS A CONTROLLED DOCUMENT.

DIMENSIONS: mm	TOLERANCES UNLESS OTHERWISE SPECIFIED:	DIN R VESTAL 24JUN97	CHK R SWING 24JUN97	APVD F BEILES 24JUN97	NAME
0 PLC ± -	1 PLC ± 0.2	Tyco Electronics Corporation			ASSEMBLY, HEADER, VERTICAL,
2 PLC ± 0.13	3 PLC ± -	Harrisburg, PA 17105-3608			20 POSITION, W/PEGS, W/DRAIN HOLES,
4 PLC ± -	ANGLES ± 0.30°	Tyco Electronics			94V-2, AMP-DUAC
MATERIAL SEE TABLE	FINISH SEE TABLE	SIZE	CAGE CODE	DRAWING NO	RESTRICTED TO
		A1	00779	794311	
CUSTOMER DRAWING		SCALE	SHEET	REV	
		5:1	1 of 1	J	