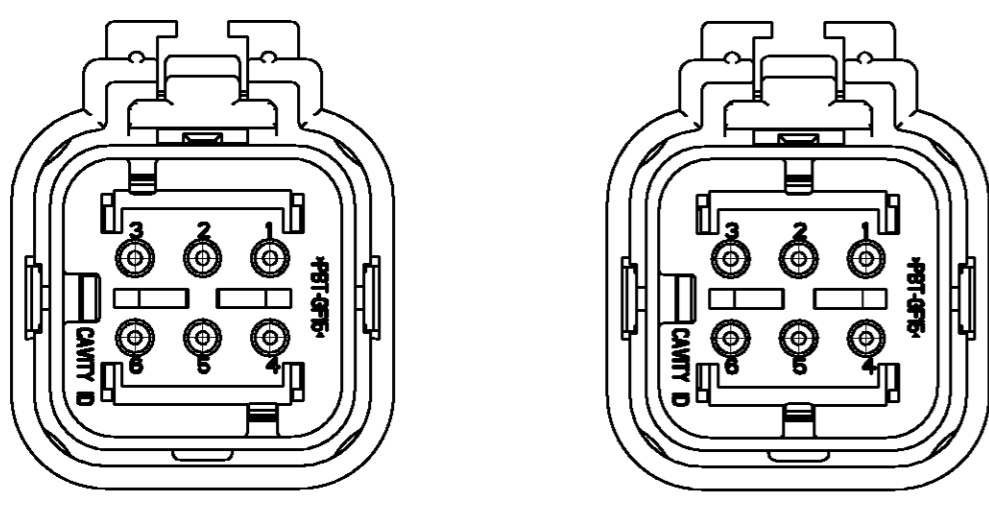


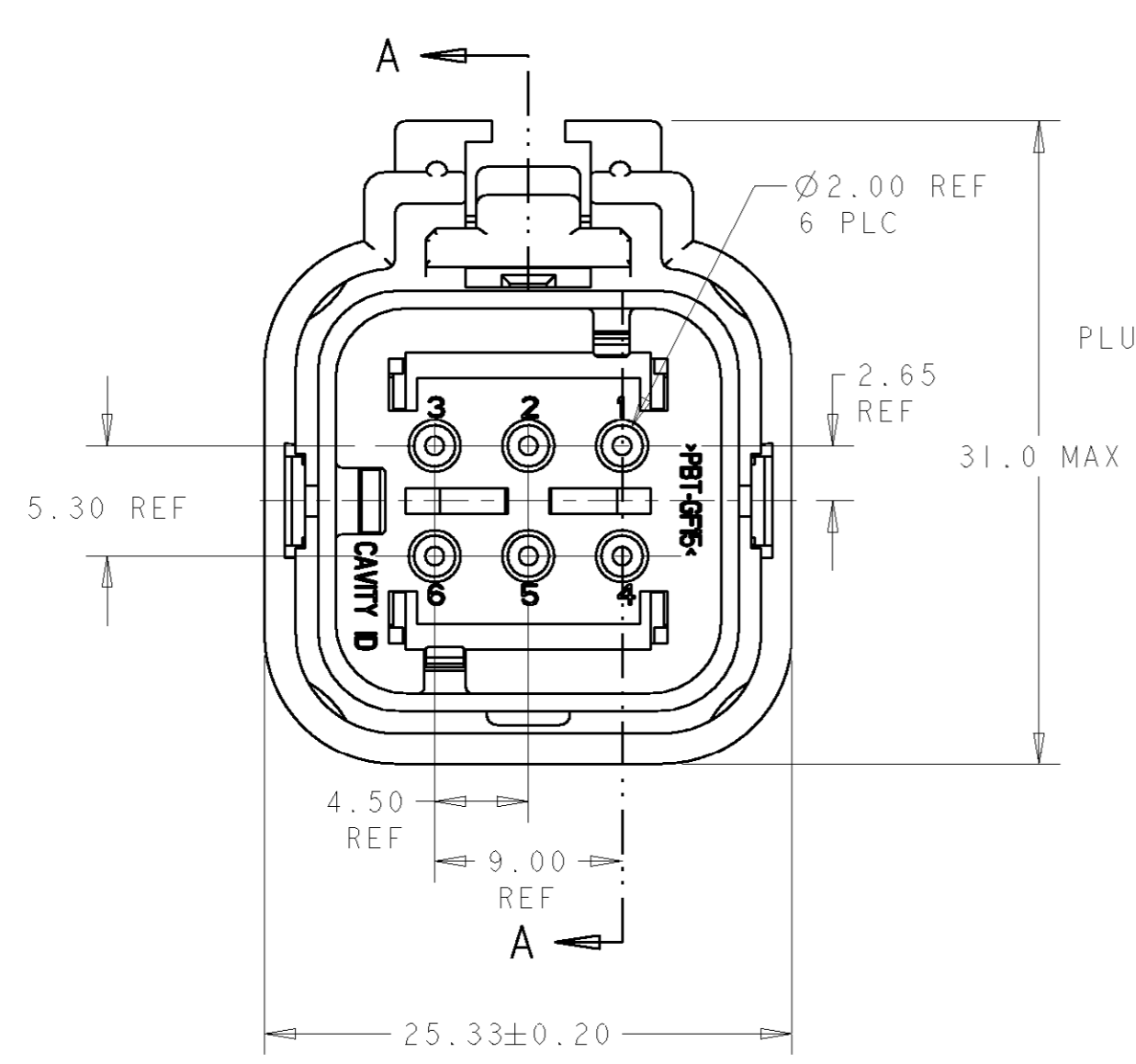
LOC	DIST	REVISIONS			
P	LTR	DESCRIPTION	DATE	DWN	APVD
GE	00	C1 REVISED PER ECO-11-005294	30APR11	RK	HMR



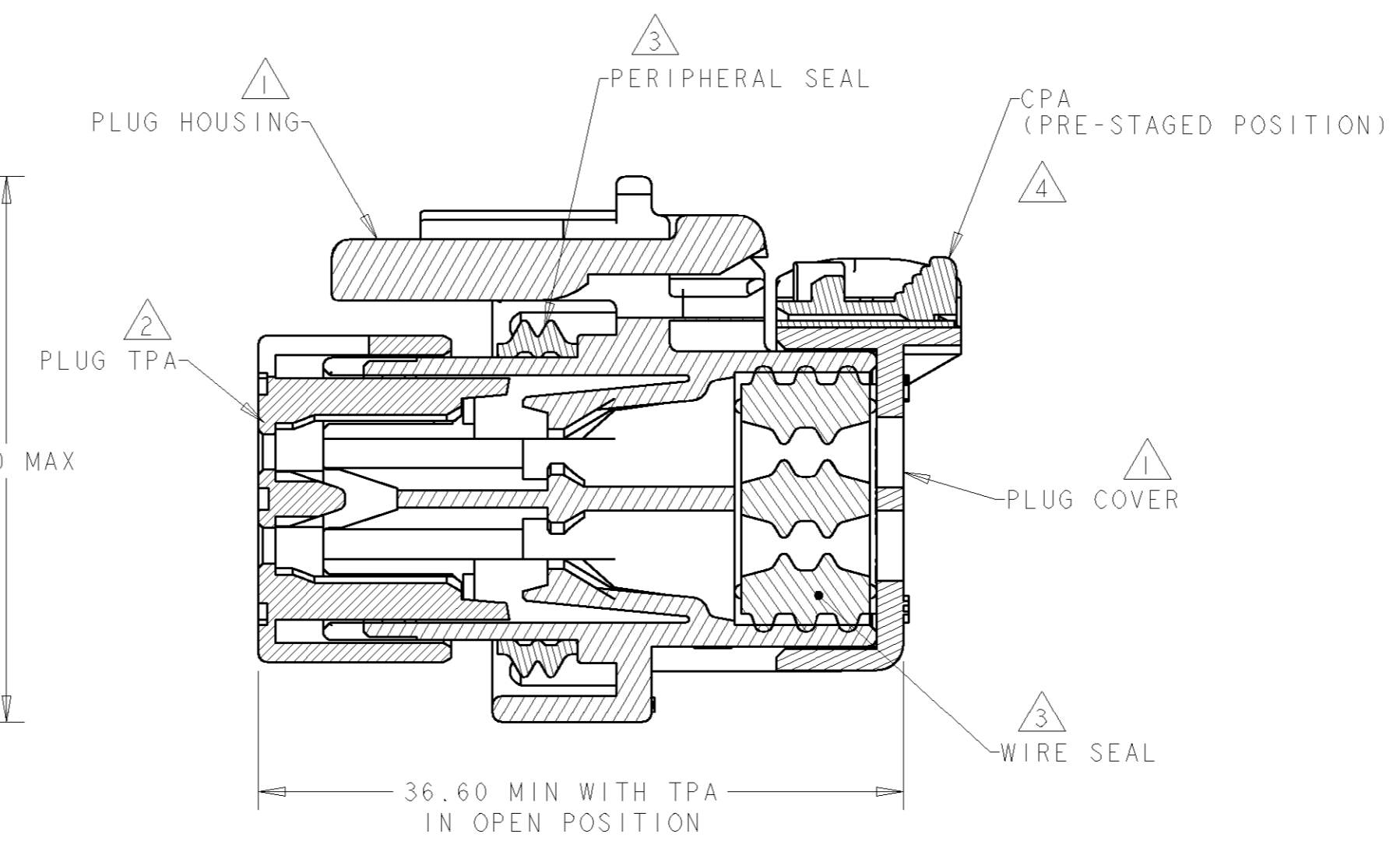
776531-2
SCALE 2:1

776531-3
SCALE 2:1

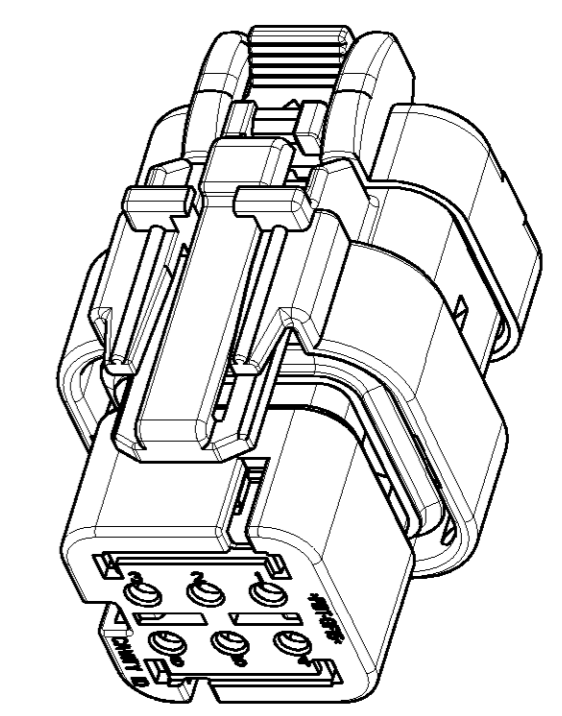
- 1 MATERIAL: 15% GLASS FILLED THERMOPLASTIC
COLOR: BLACK
 - 2 MATERIAL: 15% GLASS FILLED THERMOPLASTIC
COLOR: (SEE TABLE)
 - 3 MATERIAL: SILICONE
COLOR: LIGHT BLUE
 - 4 MATERIAL: 15% GLASS FILLED THERMOPLASTIC
COLOR: RED
5. RECOMMENDED WIRE DIAMETER RANGE IS 1.30 TO 2.54mm



776531-1 SHOWN



SECTION A-A



SCALE 2:1

YELLOW	776531-3
GRAY	776531-2
RED	776531-1
TPA COLOR	PART NUMBER

DIMENSIONS:		TOLERANCES UNLESS OTHERWISE SPECIFIED:		DWN W. HOELSCHER 04SEP2003	TE Connectivity
mm		0 PLC ±	1 PLC ±	CHK J. PATTERSON 04SEP2003	
		2 PLC ±	3 PLC ±	APVD D. KLEIN 04SEP2003	
		4 PLC ±	ANGLES ±	PRODUCT SPEC	
MATERIAL		FINISH		APPLICATION SPEC	NAME PLUG ASSEMBLY, 6 POSITION, 2 ROW, AMPSEAL 16 CONNECTOR REDUCED DIA WIRE SEAL
				114-13065	SIZE A2
				WEIGHT	CAGE CODE 00779
				CUSTOMER DRAWING	DRAWING NO 776531
					RESTRICTED TO
					SCALE 3:1 SHEET OF 1 REV C1