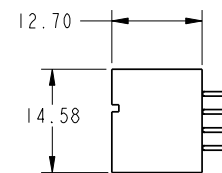
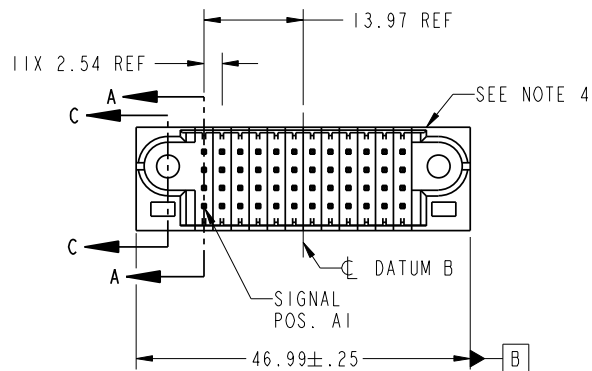


Tous droits strictement reserves. Reproduction ou communication a des tiers interdite sous quelque forme que ce soit sans autorisation écrite du propriétaire. Propriete de c FCI. Droits de reproduction FCI.



All rights strictly reserved. Reproduction or issue to third parties in any form whatever is not permitted without written authority from the proprietor. Property of FCI. Copyright FCI.

PRODUCT NO.	ROWS	SIGNAL													
		E1	1	2	3	4	5	6	7	8	9	10	11	12	E2
51952-119-- NOTE ③	D C B A		G	G	K	K	K	K	K	K	K	K	K	K	
		G	G	K	K	K	K	K	K	K	K	K	K	K	
		G	G	K	K	K	K	K	K	K	K	K	K	K	
		G	G	K	K	K	K	K	K	K	K	K	K	K	



CODE	DIM "M" MATING LENGTH	CONTACT TYPE
G	[6.86]	SIGNAL
K	[5.59]	SIGNAL

mat'l code				tolerances unless otherwise specified				CUSTOMER			
lfr	ecn no.	dr	date	linear	0.X ± 0.3			COPY		www.fciconnect.com	
A	DG07-0211	RYUAN	05/22/07		0.XX ± 0.13			projection		title	
				angles	0° ± 2°					48S	
				dr	RYAN YUAN	05/22/07	MM		product family		code
				enrg	RYAN YUAN	05/22/07	1:1		PwrBlade		213
				chr	GARY HSIEH	05/22/07			size		sheet
				appd	JOSEPH HSIA	05/22/07			51952-119		1 of 4
sheet index	revision	A	A	A	A	A					
	sheet	1	2	3	4						

cage code 22526

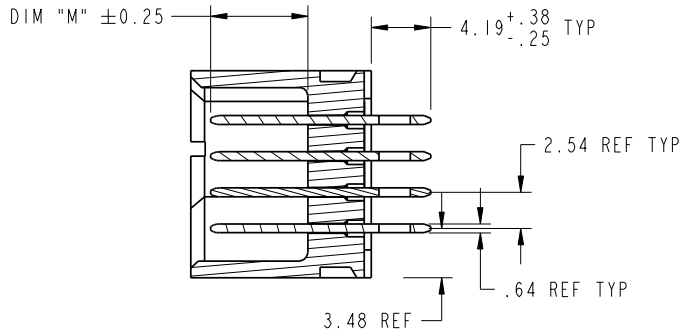
Pro/E

Tous droits strictement reserves. Reproduction ou communication a des tiers interdite sous quelque forme que ce soit sans autorisation écrite du propriétaire. Propriete de c FCI. Droits de reproduction FCI.

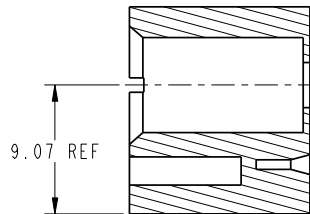


All rights strictly reserved. Reproduction or issue to third parties in any form whatever is not permitted without written authority from the proprietor. Property of FCI. Copyright FCI.

PRODUCT NUMBER
51952-119__
NOTE 3



SECTION A-A
SCALE 2:1



SECTION C-C
SCALE 2:1

mat'l code				tolerances unless otherwise specified		CUSTOMER		FCI	
lfr	ecn no.	dr	date	linear	0.X ±0.3	COPY		www.fciconnect.com	
A					0.XX ±0.13	projection	title 48S		
				angles	0.XXX ±0.051		VERTICAL PRESS-FIT HEADER		
				dr	0° ±2°	MM	product family	PwrBlade	code
				enrg	RYAN YUAN 05/22/07	scale	size	dwg no	213
				chr	GARY HSIEH 05/22/07	1:1	A	51952-119	sheet
				appd	JOSEPH HSIA 05/22/07				2 of 4
sheet index	revision sheet								

1 | 2

Pro/E

3 |

cage code 22526

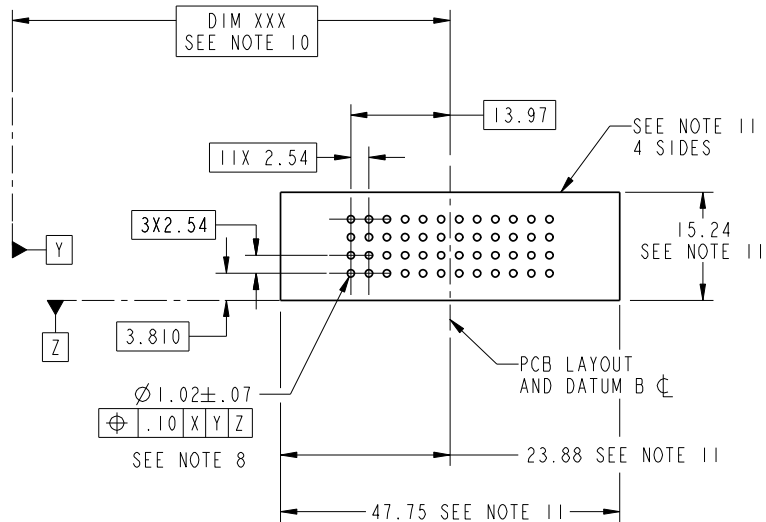
4

Tous droits strictement reserves. Reproduction ou communication a des tiers interdite sous quelque forme que ce soit sans autorisation écrite du propriétaire. Propriete de c FCI. Droits de reproduction FCI.



All rights strictly reserved. Reproduction or issue to third parties in any form whatever is not permitted without written authority from the proprietor. Property of FCI. Copyright FCI.

PRODUCT NUMBER
51952-119__
NOTE 3



mat'l code				tolerances unless otherwise specified		CUSTOMER		FCI	
lfr	ecr no.	dr	date	linear	0.X ± 0.3	COPY		www.fciconnect.com	
A					0.XX ± 0.13	projection	title 48S		
				angles	0.XXX ± 0.051		VERTICAL PRESS-FIT HEADER		
				dr	RYAN YUAN 05/22/07	MM	product family	PwrBlade	code
				enrg	RYAN YUAN 05/22/07	scale	size	dwg no	213
				chr	GARY HSIEH 05/22/07	1:1	A	51952-119	sheet
				appd	JOSEPH HSIA 05/22/07				3 of 4
sheet index	revision sheet								

cage code 22526

Pro/E

Tous droits strictement reserves. Reproduction ou communication a des tiers interdite sous quelque forme que ce soit sans autorisation écrite du propriétaire. Propriete de c FCI. Droits de reproduction FCI.



All rights strictly reserved. Reproduction or issue to third parties in any form whatever is not permitted without written authority from the proprietor. Property of FCI. Copyright FCI.

1 | 2

3 |

4

PRODUCT NUMBER

51952-119__
NOTE 3

NOTES:

1. DIMENSIONS AND TOLERANCES ARE IN ACCORDANCE WITH ASME Y14.5M, 1994 UNLESS OTHERWISE SPECIFIED.

CONNECTOR NOTES:

- ② HOUSING MATERIAL: UL 94 V-0 GLASS FILLED
HIGH-TEMP THERMOPLASTIC
POWER CONTACT MATERIAL: COPPER ALLOY
SIGNAL PIN MATERIAL: COPPER ALLOY
- 3. PLATING:
51952-119 ,51952-119LF PLATING SPEC. WAS SHOWN IN THE PRINT OF 10064183.
- ④ MANUFACTURER'S NAME, P/N, AND DATE CODE TO APPEAR ON THIS SURFACE.
- 5. PRODUCT SPECIFICATION GS-12-149.
APPLICATION SPECIFICATION BUS-20-067.
- 6. PACKAGED IN TRAYS.
- PCB NOTES:
- 7. ALL HOLE DIAMETERS ARE FINISHED HOLE SIZE.
- 8. MOUNTING HOLES, WHERE APPLICABLE, ARE UNPLATED.
- ⑨ $\varnothing 1.151 \pm 0.025$ DRILLED HOLES PLATED WITH
0.008 MIN SnPb OR Sn OVER 0.03
TO 0.08 Cu PLATING TO ACHIEVE
 $\varnothing 1.02 \pm .07$ HOLE.
- ⑩ "DIM XXX" TO BE DETERMINED BY THE CUSTOMER.
- ⑪ CONNECTOR KEEP-OUT ZONE.
- 12. FOR PRESS FIT APPLICATION USE FCI CAM TOOL 430169-XXX.

A

A

B

B

mat'l code				tolerances unless otherwise specified		CUSTOMER		FCI	
lfr	ecn no.	dr	date	linear	0.X ±0.3	COPY		www.fciconnect.com	
A				linear	0.XX ±0.13	projection	title 48S		
				angles	0.XXX ±0.051		VERTICAL PRESS-FIT HEADER		
				dr	0° ±2°	MM	product family	PwrBlade	code
				engr	RYAN YUAN 05/22/07	←→	size	dwg no	213
				chr	GARY HSIEH 05/22/07	scale	51952-119		sheet
				appd	JOSEPH HSIA 05/22/07	1:1	A	4 of 4	
sheet index	revision sheet								

1 | 2

3 |

4

Pro/E

cage code 22526