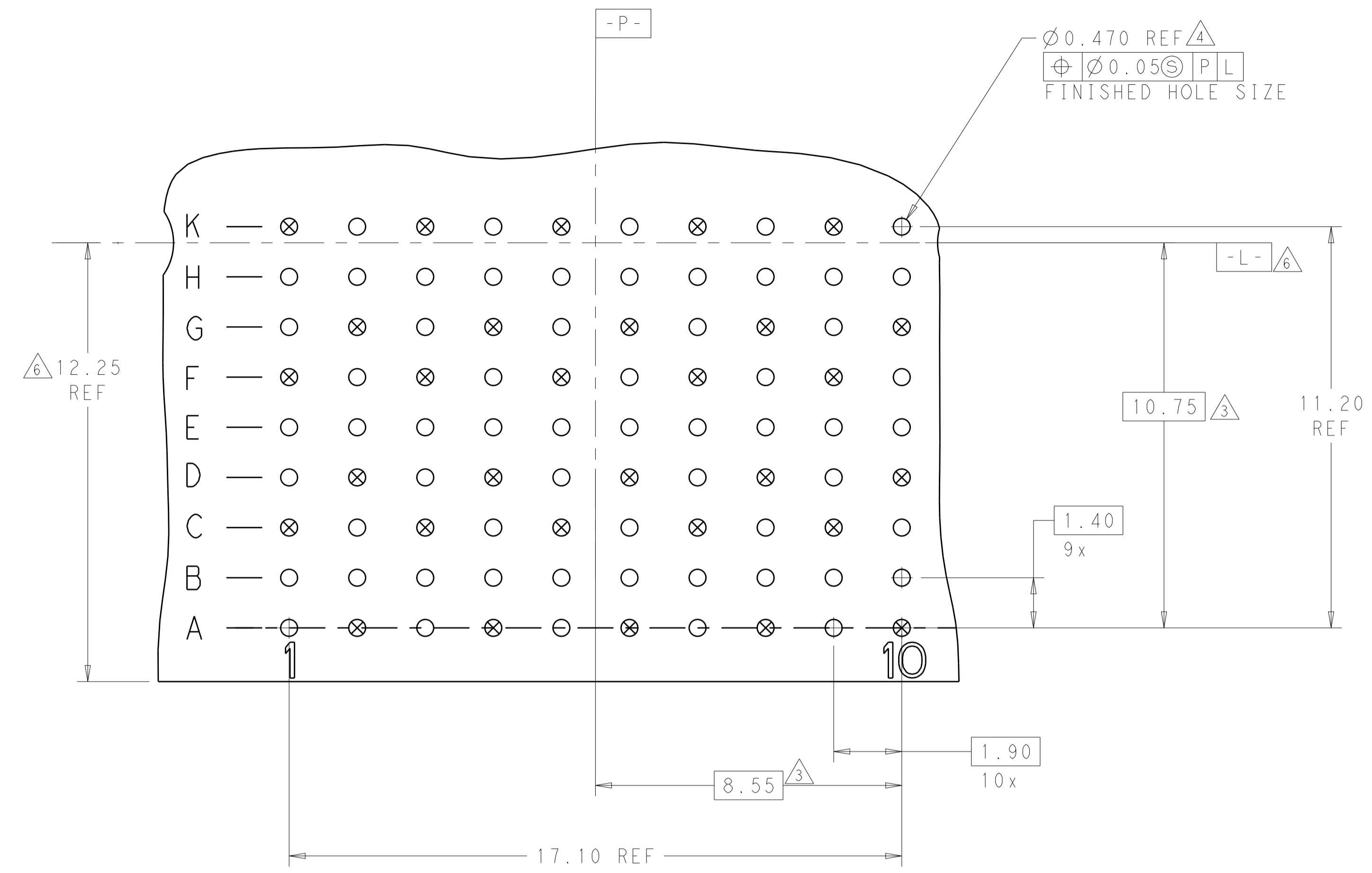


LOC		DIST		REVISIONS			
P	LTN	DESCRIPTION	DATE	DWN	APVD		
D		REV PER ECO 14-018436	12-8-14	CT	DH		

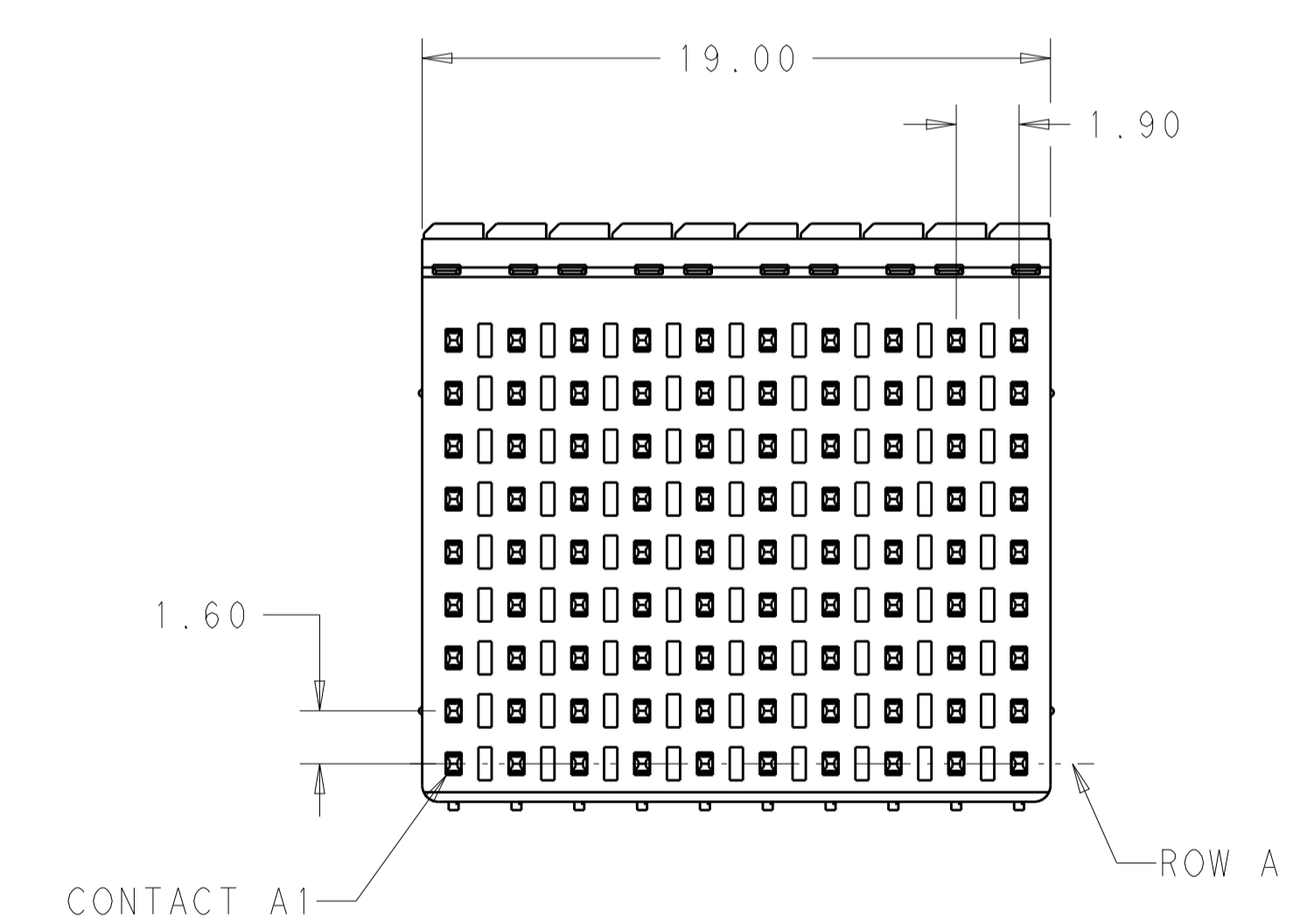
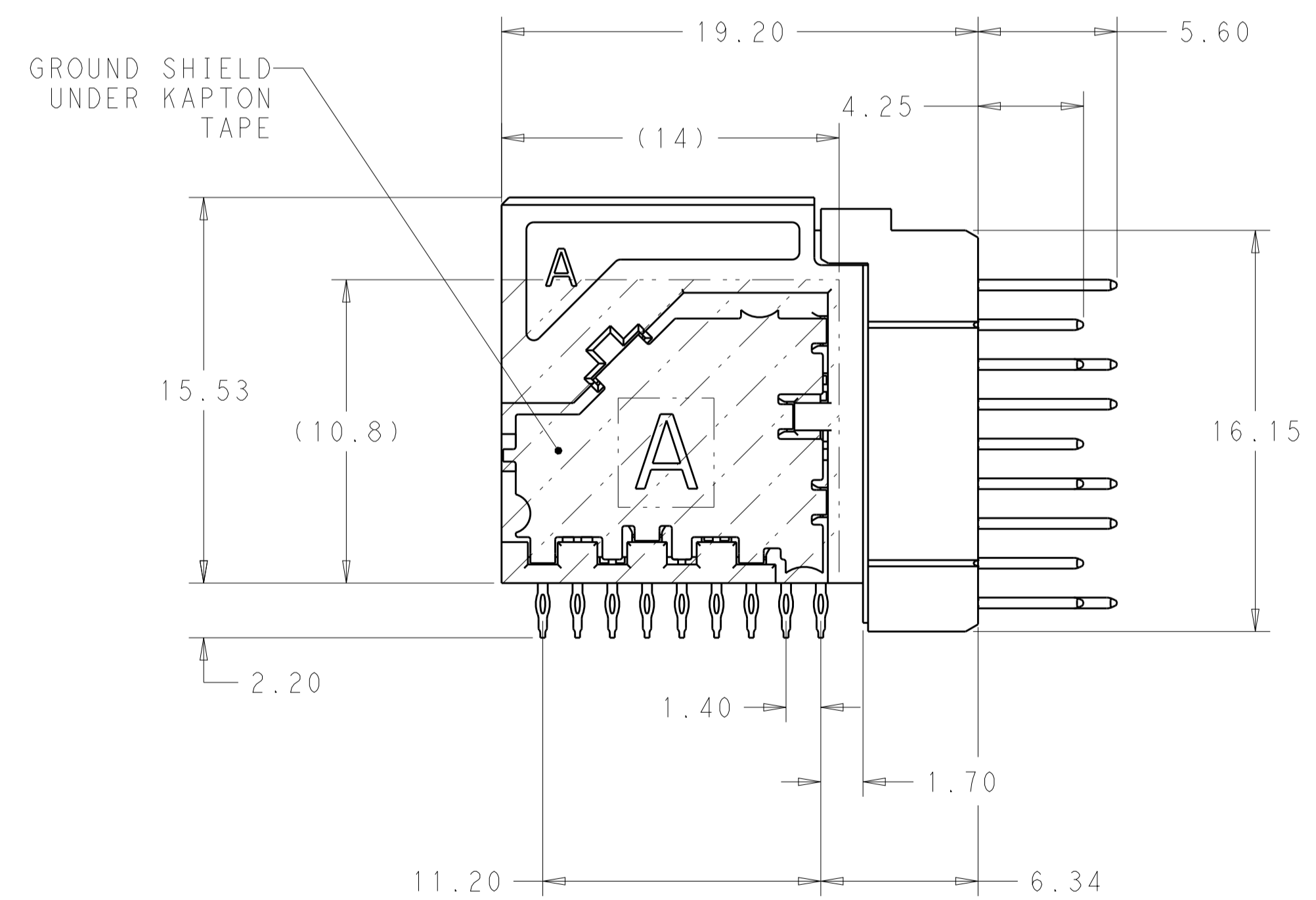


2102436-1, 2102436-3

RECOMMENDED PC BOARD LAYOUT
 COMPONENT SIDE SHOWN
 SCALE 10:1

- = SIGNAL
- ⊗ = GROUND

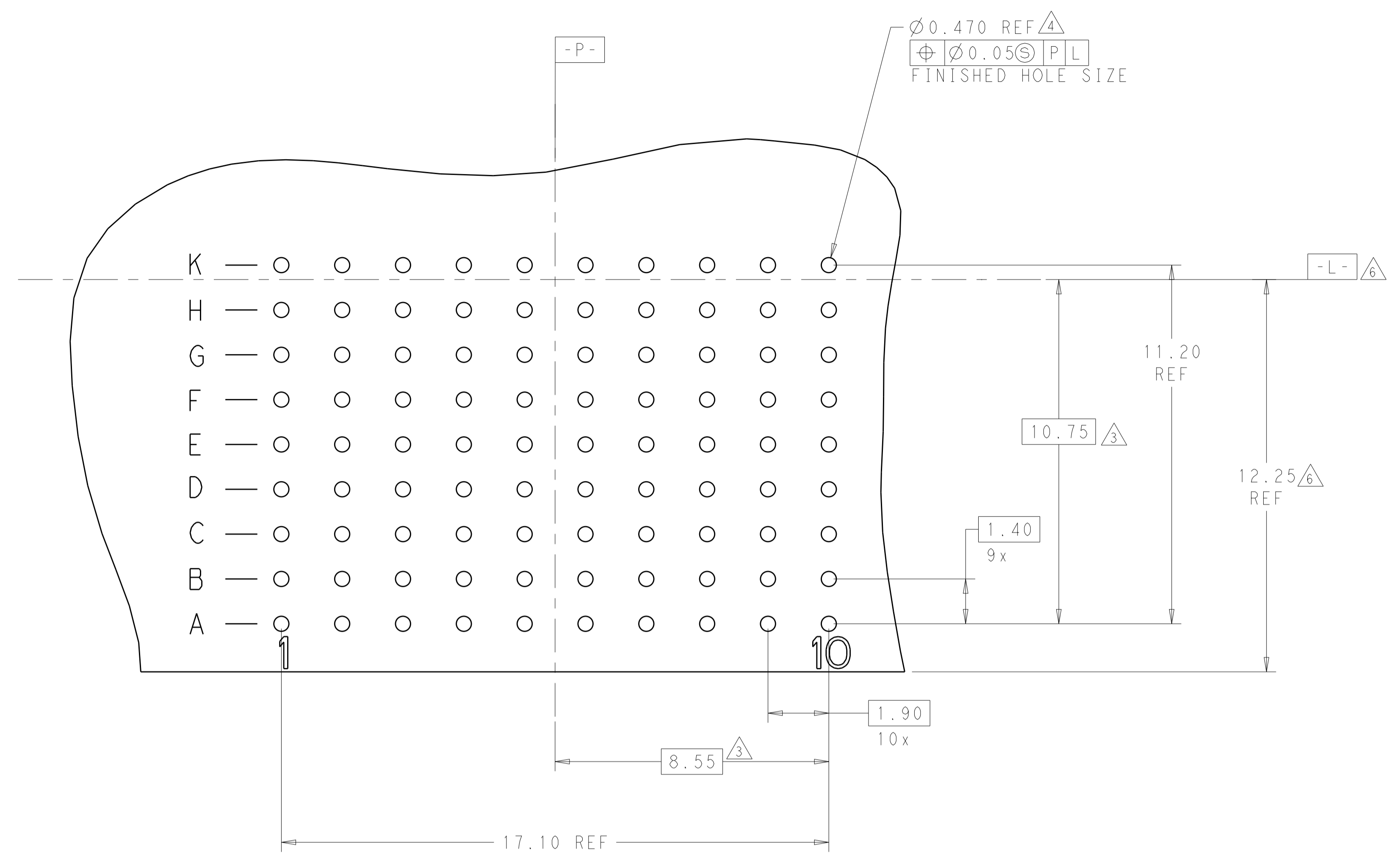
- 1** MATERIAL:
 CONTACT AND SHIELD: COPPER ALLOY
 HOUSING AND CHICKLET: LCP, COLOR: BLACK
 TAPE: POLYIMIDE FILM WITH SILICONE ADHESIVE
- 2** FINISH:
 CONTACT: MATING AREA: 1.27µm MIN GOLD OVER
 1.27µm MIN NICKEL
 COMPLIANT PIN: 0.5µm MIN MATTE TIN OVER
 1.27µm MIN NICKEL
 SHIELD: 1.27µm MIN NICKEL
- 3** DIMENSION APPLIES TO CENTERLINE OF THRU HOLE
- 4** PER APPLICATION SPEC 114-13267 MANUFACTURING TOLERANCES FOR
 Ø0.46±.06 FINISHED HOLE WITH SnPb PLATING
 DRILLED HOLE = Ø0.55±.025
 Cu PLATING = 0.038±0.013
 SnPb PLATING = 0.008±0.004
 OR
 Ø0.47±.055 FINISHED HOLE WITH OUT SnPb PLATING
 DRILLED HOLE = Ø0.55±.025
 Cu PLATING = 0.038±0.013
- 5** GROUNDS ARE CONNECTED THROUGH GROUNDING SHIELD. GROUNDS DO NOT APPLY TO SINGLE ENDED MODULE.
- 6** SEE PRINT 2102427-1 FOR DIMENSIONS
- 7** FINISH:
 CONTACT: MATING AREA: 1.27µm MIN GOLD OVER
 1.27µm MIN NICKEL
 COMPLIANT PIN: 0.5µm MIN BRIGHT TIN LEAD OVER
 1.27µm MIN NICKEL
 SHIELD: 1.27µm MIN NICKEL



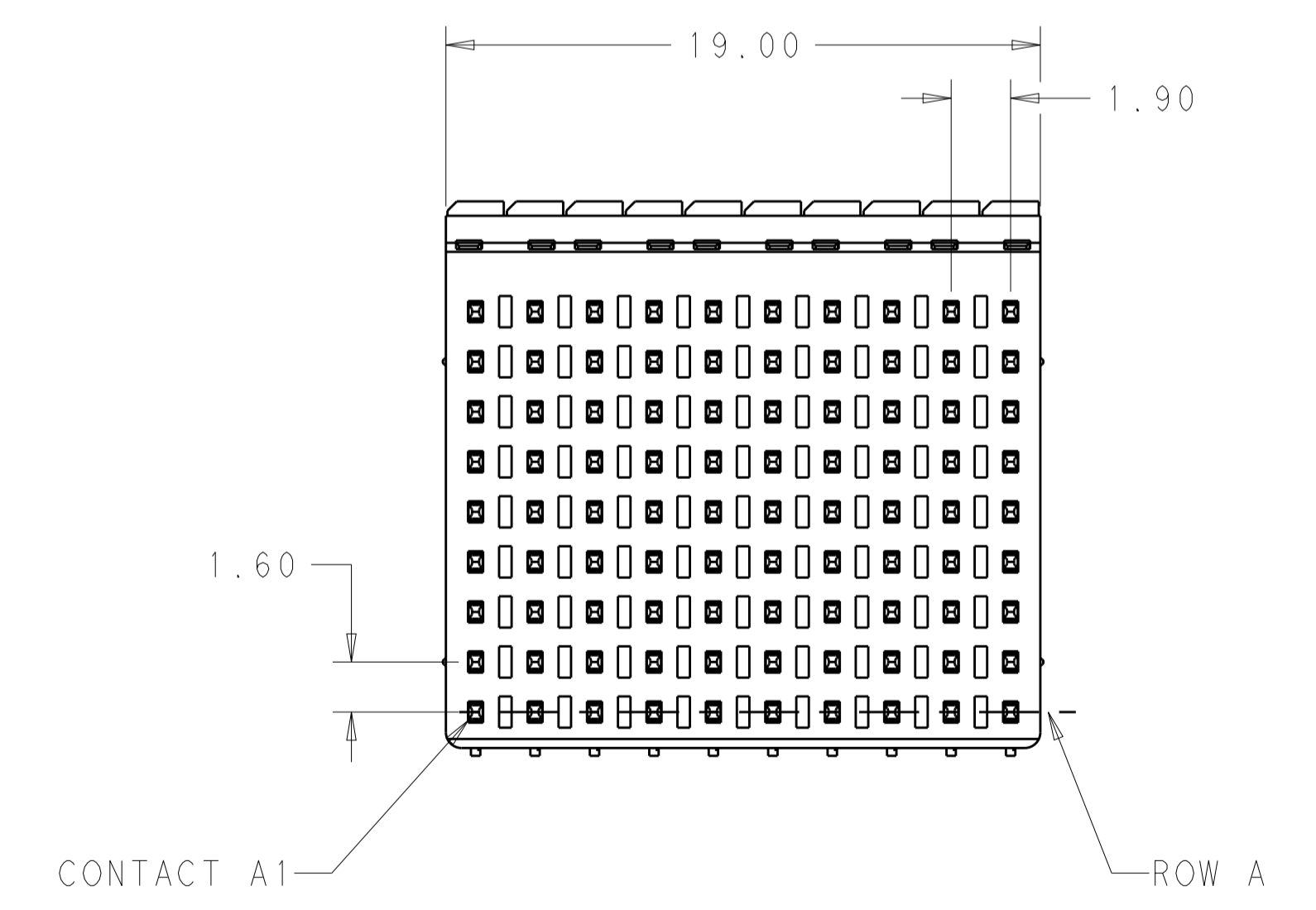
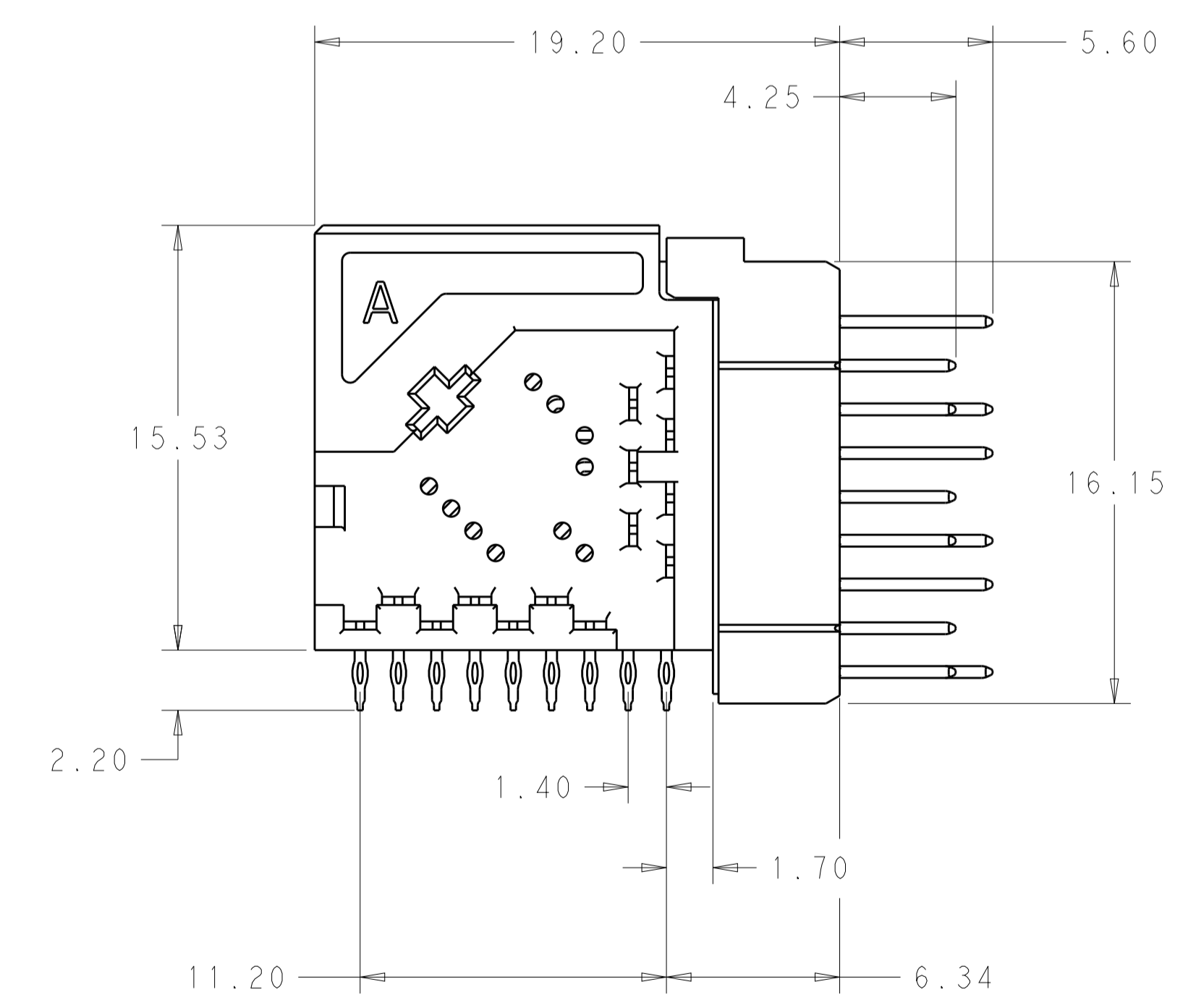
1	SINGLE ENDED	2102436-4
1	DIFFERENTIAL PAIR	2102436-3
2	SINGLE ENDED	2102436-2
2	DIFFERENTIAL PAIR	2102436-1
FINISH	DESCRIPTION	PART NUMBER

THIS DRAWING IS A CONTROLLED DOCUMENT.		DWN	TOMAR2011	TE Connectivity	
DIMENSIONS:		CHK	D. BELACK		
TOLERANCES UNLESS OTHERWISE SPECIFIED:		CHK	K. MILLER		
mm	0 PLC ±.13	APVD	K. THACKSTON	NAME	
	1 PLC ±0.10	PRODUCT SPEC		Fortis Zd, METAL SHELL LRU, RIGHT ANGLE HEADER, MODULE	
	2 PLC ±.08	APPLICATION SPEC		SIZE	
	3 PLC ±.07	114-13267		CAGE CODE DRAWING NO	
	4 PLC ±.06	WEIGHT		RESTRICTED TO	
	ANGLES ±.2°	~12.08 g		A100779C=2102436	
MATERIAL	FINISH	CUSTOMER DRAWING		SCALE 1:1 SHEET 1 OF 2 REV D	

LOC	DIST	REV	DATE	BY	APPV
-	-	1	-	-	-
REVISIONS					
DESCRIPTION		DATE	BY	APPV	
SEE SHEET 1		-	-	-	-



2102436-2, 2102436-4



THIS DRAWING IS A CONTROLLED DOCUMENT.		OWN: D. BELACK 10MAR2011	 TE Connectivity
DIMENSIONS: mm		CHK: K. MILLER	
TOLERANCES UNLESS OTHERWISE SPECIFIED:		APVD: K. THACKSTON	NAME: Fortis Zd. METAL SHELL LRU, RIGHT ANGLE HEADER, MODULE
0 PLC ±0.13	1 PLC ±0.10	PRODUCT SPEC: 108-2409	SIZE: A1
2 PLC ±0.10	3 PLC ±0.10	APPLICATION SPEC: 114-13267	RESTRICTED TO: -
4 PLC ±0.10	ANGLES ±2°	WEIGHT: ~ g	SCALE: 10:1
MATERIAL: SEE TABLE	FINISH: SEE TABLE	Customer Drawing	SHEET 2 OF 2 REV D