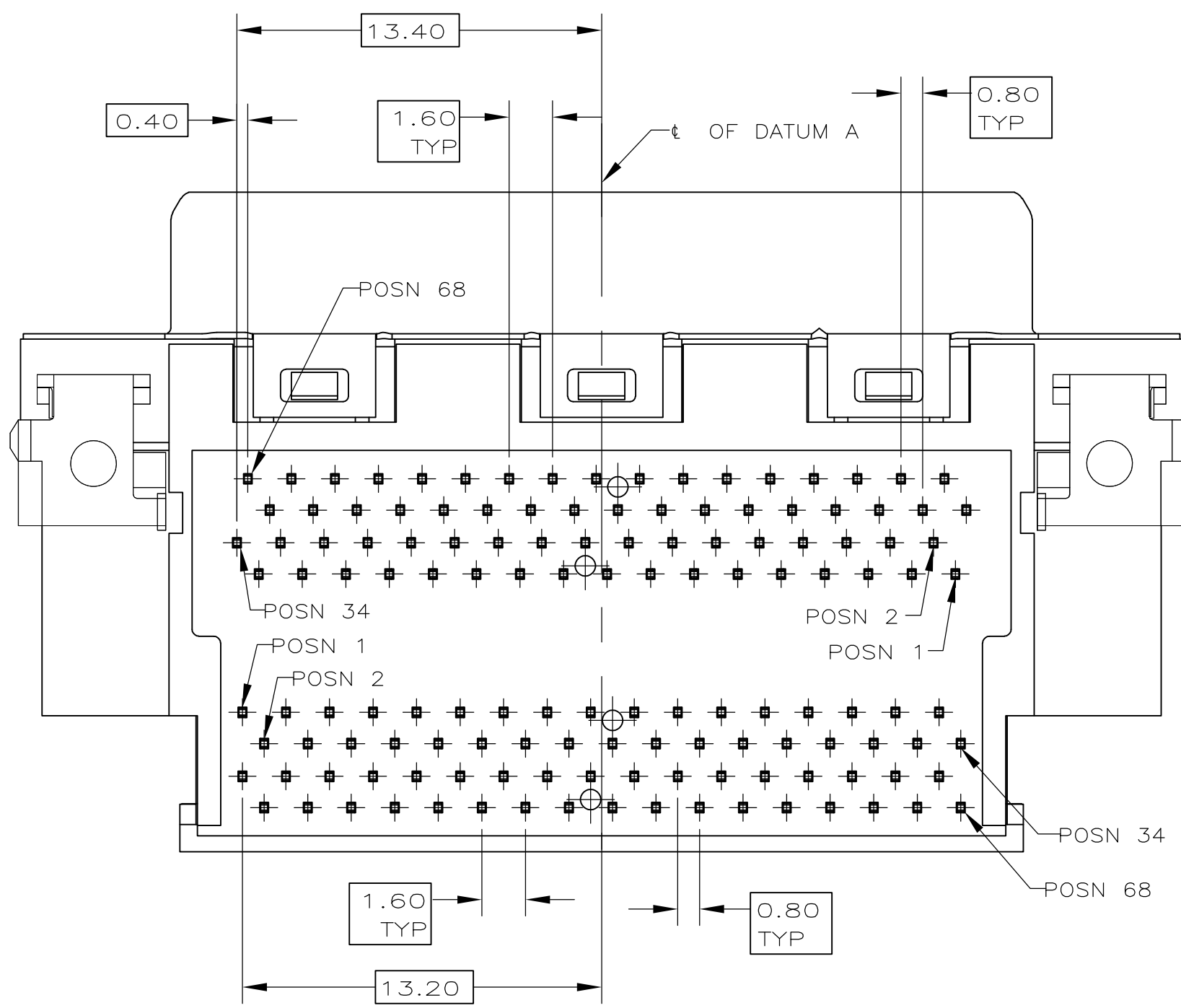
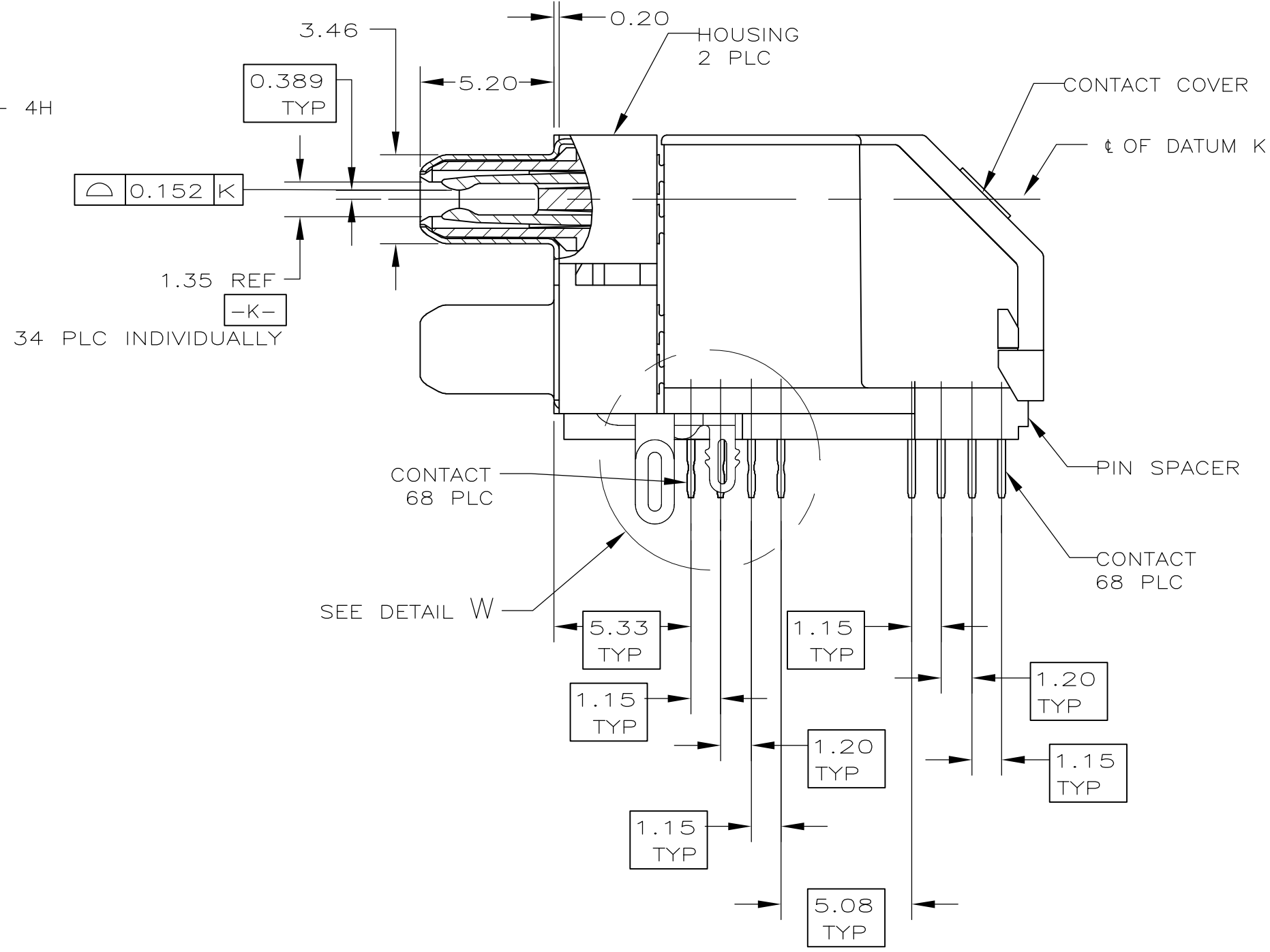
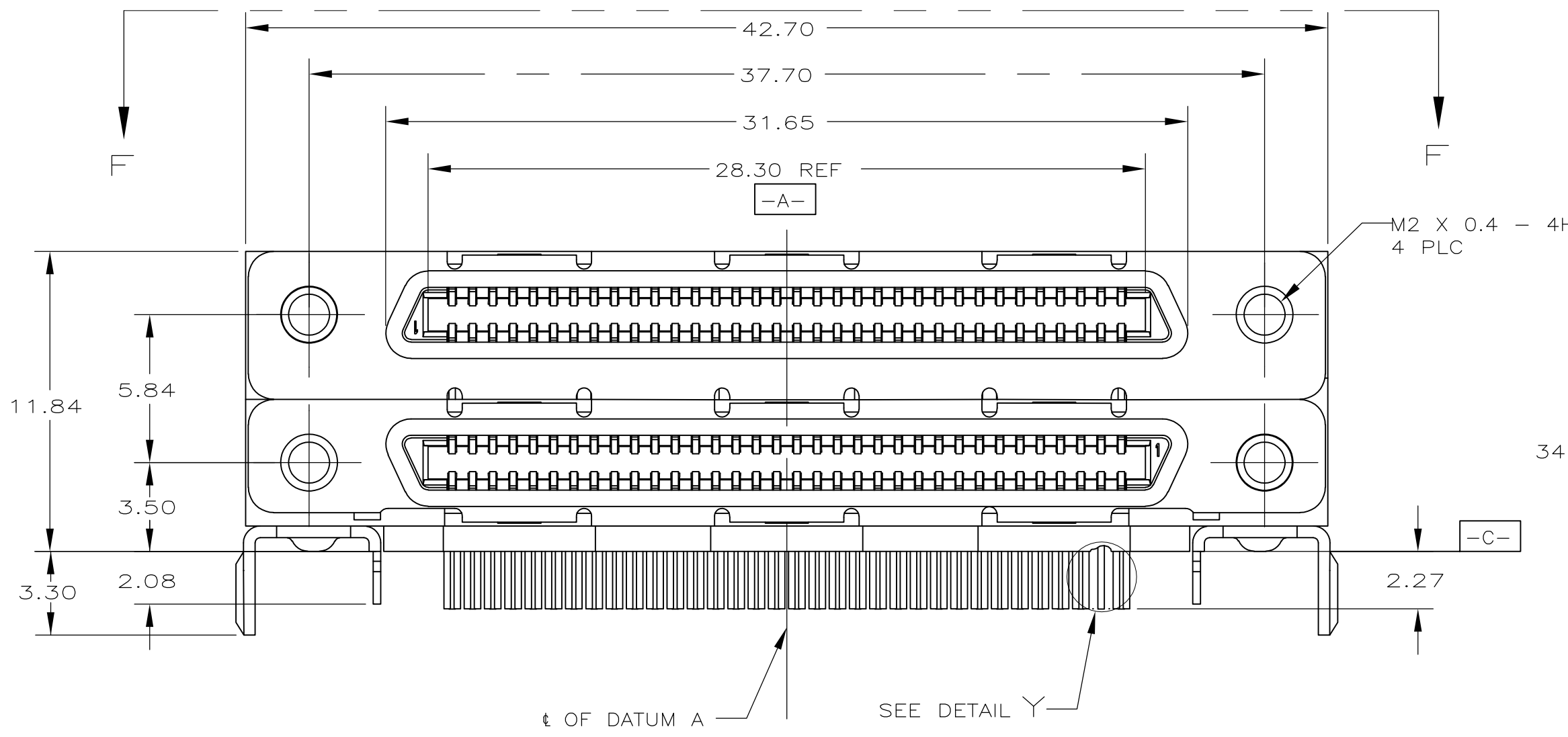


THIS DRAWING IS UNPUBLISHED. RELEASED FOR PUBLICATION 20--
 © COPYRIGHT 20-- BY TYCO ELECTRONICS CORPORATION. ALL INTERNATIONAL RIGHTS RESERVED.

LOC		DIST		REVISIONS			
P	LTR	DESCRIPTION		DATE	DWN	APVD	
GP	00	B		REVISED PER ECO-09-001695	8FEB2009	ZMR/EDB	



**COPYRIGHT 2005
 TYCO ELECTRONICS CORP
 ALL RIGHTS RESERVED**

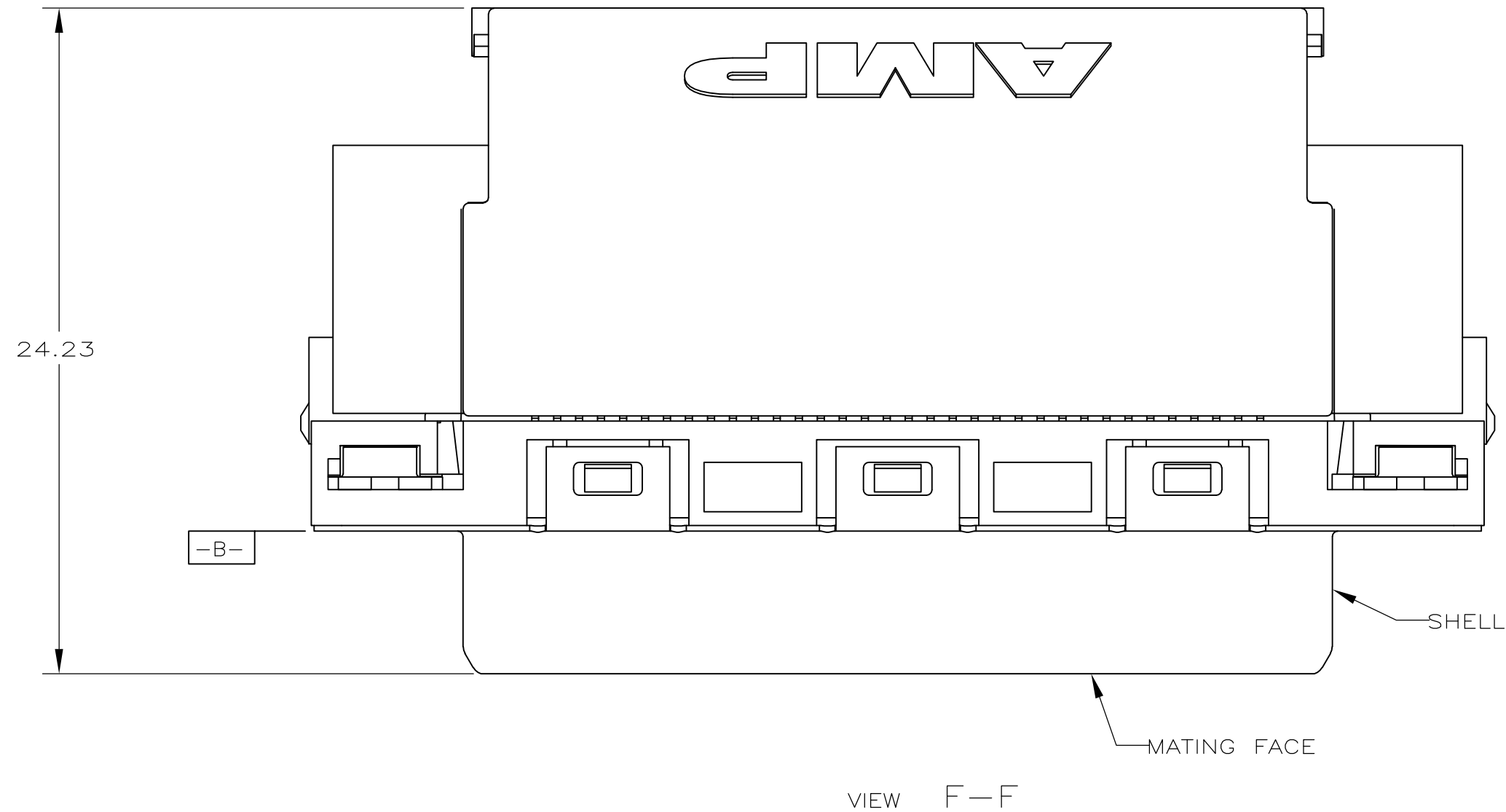
REMARKS	3	6364306-1
		PART NUMBER

THIS DRAWING IS A CONTROLLED DOCUMENT.		DWN J. ALCORTA - DOCK5 08-02-05	Tyco Electronics Corporation	
DIMENSIONS: mm		CHK S. SHUEY 08-02-05	Harrisburg, PA 17105-3608	
TOLERANCES UNLESS OTHERWISE SPECIFIED:		APVD M. WALMSLEY 08-02-05	NAME	
0 PLC ± -		PRODUCT SPEC	RECEPTACLE ASSEMBLY,	
1 PLC ± -		APPLICATION SPEC	68 POSITION, STACKED, COVERED CONTACTS,	
2 PLC ± 0.13		114-6057	RIGHT ANGLE, CHAMP 0.8mm	
3 PLC ± -		WEIGHT -	SIZE A2	CAGE CODE 00779
4 PLC ± -		FINISH 2	DRAWING NO C=6364306	RESTRICTED TO -
ANGLES ± 1°		CUSTOMER DRAWING	SCALE 5:1	SHEET 1 of 3
MATERIAL 1			REV B	

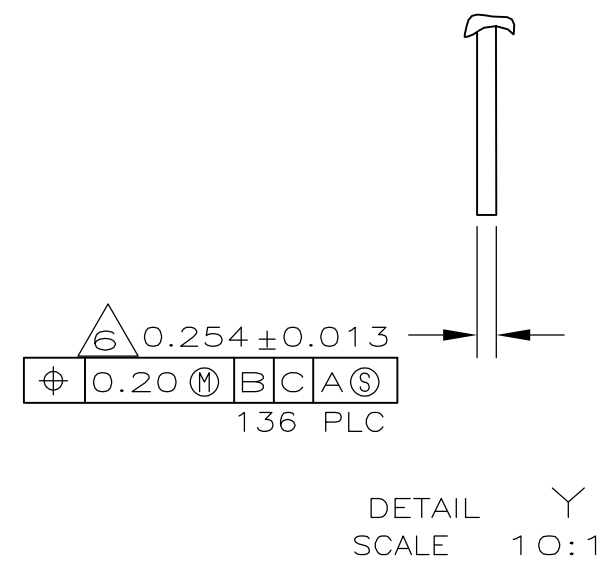
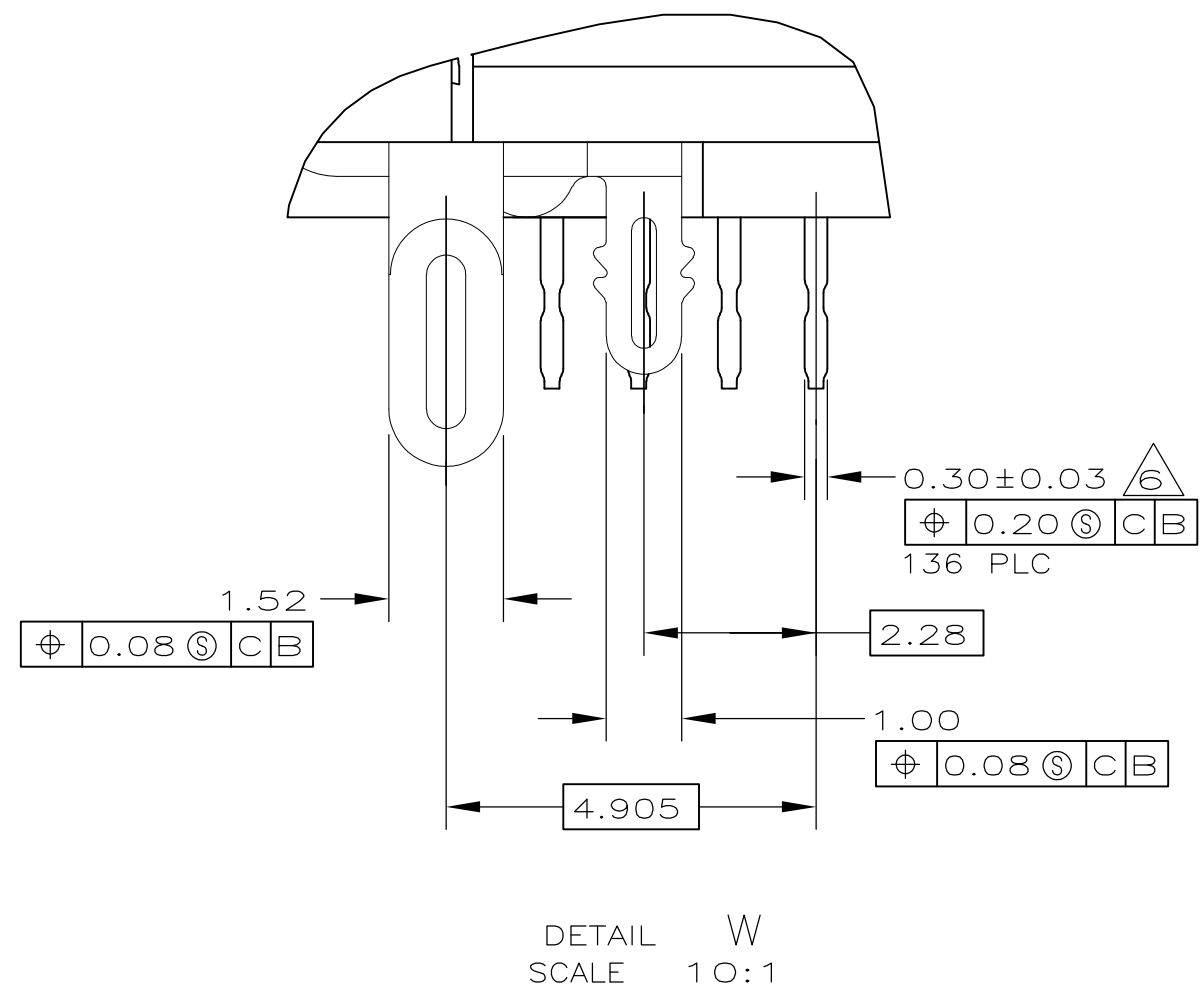
6364306

THIS DRAWING IS UNPUBLISHED. RELEASED FOR PUBLICATION 20--
 © COPYRIGHT 20-- BY TYCO ELECTRONICS CORPORATION. ALL RIGHTS RESERVED.

LOC	DIST	REVISIONS			
P	LTR	DESCRIPTION	DATE	DWN	APVD
GP	00	SEE SHEET 1	-	-	-

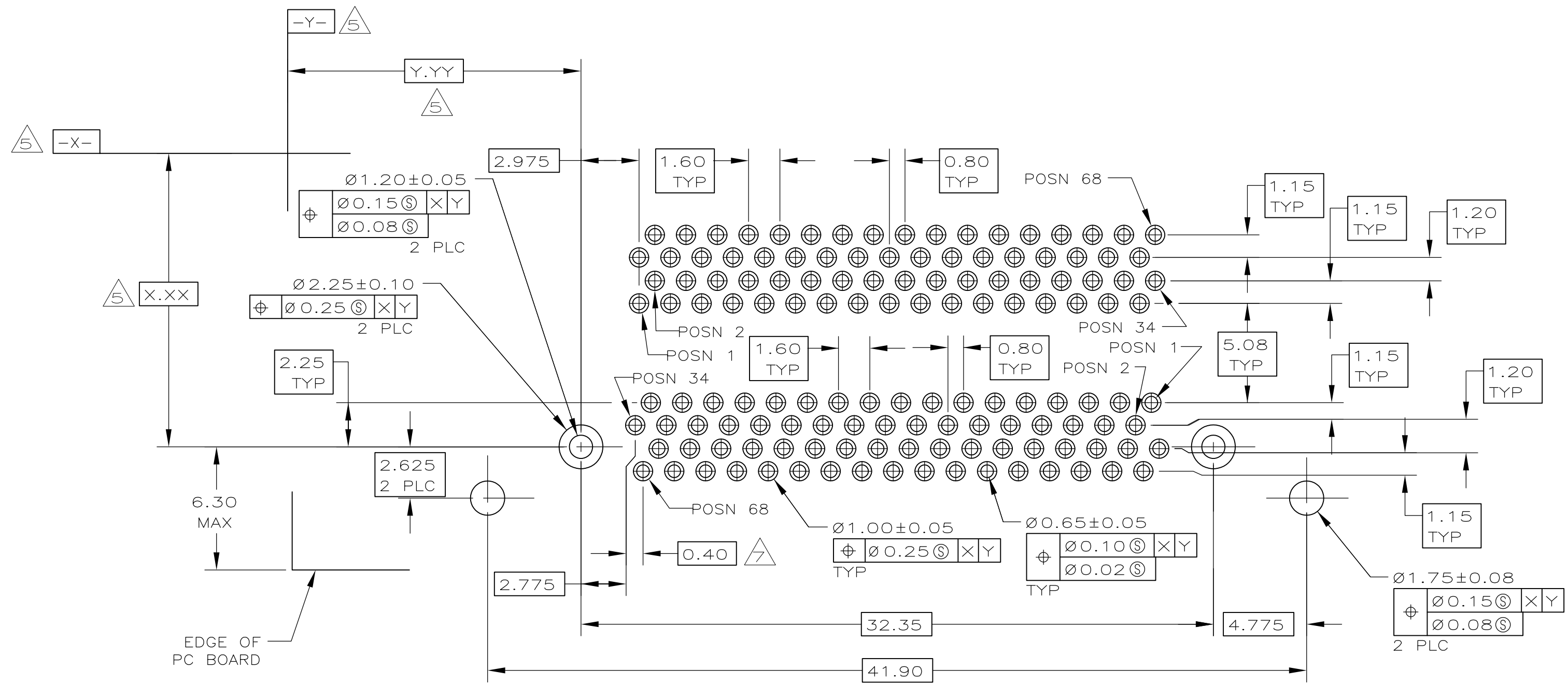


- 1 MOLDED PARTS: THERMOPLASTIC, BLACK, UL 94V-0 RATED.
SHELL: CARBON STEEL.
CONTACTS: PHOSPHOR BRONZE.
BRACKETS: STEEL.
- 2 SHELL: 5.08µm MIN NICKEL OVER 2.54µm MIN COPPER.
CONTACTS: 0.76µm MIN GOLD ON MATING END, 3.75µm MIN TIN ON SOLDER TAILS, BOTH OVER 1.27µm MIN NICKEL ON ENTIRE CONTACT.
BRACKETS: TIN PLATED.
- 3 CONTACTS DESIGNED FOR USE ON 1.60±0.15 THICK PC BOARD WITH PLATED THRU MOUNTING HOLES.
- 4 RECEPTACLE ASSEMBLY DESIGNED FOR USE WITH 1.12±0.08 THICK PANEL.
- 5 DATUMS AND DIMENSIONS ESTABLISHED BY CUSTOMER.
- 6 POSITION TOLERANCE APPLIES AT CONTACT TIP ONLY.
- 7 OFFSET DIMENSION APPLIES TO LOWER FOOTPRINT ONLY.



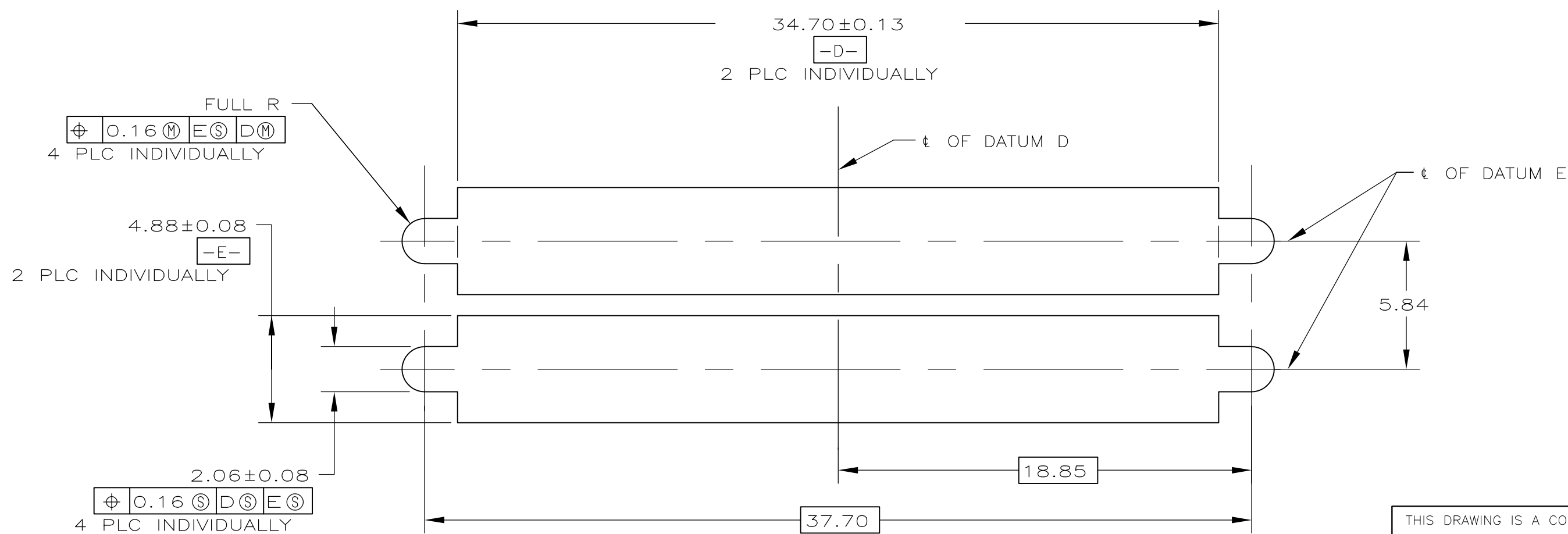
THIS DRAWING IS A CONTROLLED DOCUMENT.		DWN J. ALCORTA - DOCK5 08-02-05	Tyco Electronics Corporation Harrisburg, PA 17105-3608	
DIMENSIONS: mm		CHK S. SHUEY 08-02-05	NAME RECEPTACLE ASSEMBLY, 68 POSITION, STACKED, COVERED CONTACTS, RIGHT ANGLE, CHAMP 0.8mm	
TOLERANCES UNLESS OTHERWISE SPECIFIED: 0 PLC ± - 1 PLC ± - 2 PLC ± 0.13 3 PLC ± - 4 PLC ± - ANGLES ± 1°		APVD M. WALMSLEY 08-02-05	PRODUCT SPEC -	RESTRICTED TO -
MATERIAL -		FINISH -	WEIGHT -	SIZE A2
CUSTOMER DRAWING		SCALE 5:1	CAGE CODE 00779	DRAWING NO C=6364306
		SHEET 2 of 3	REV B	

LOC		DIST		REVISIONS			
GP	00	P	LTR	DESCRIPTION	DATE	DWN	APVD
				SEE SHEET 1			



PC BOARD MOUNTING DIMENSIONS

SCALE 5:1



PANEL CUT-OUT DIMENSIONS

SCALE 5:1

THIS DRAWING IS A CONTROLLED DOCUMENT.		DWN	J. ALCORTA - DOCK5	08-02-05	 Tyco Electronics Corporation Harrisburg, PA 17105-3608
DIMENSIONS: mm		CHK	S. SHUEY	08-02-05	
TOLERANCES UNLESS OTHERWISE SPECIFIED:		APVD	M. WALMSLEY	08-02-05	NAME
0 PLC ± -	1 PLC ± -	PRODUCT SPEC	RECEPTACLE ASSEMBLY, 68 POSITION, STACKED, COVERED CONTACTS, RIGHT ANGLE, CHAMP 0.8mm		
2 PLC ± 0.13	3 PLC ± -	APPLICATION SPEC	SIZE	CAGE CODE	DRAWING NO
4 PLC ± -	ANGLES ± 1°		A2	00779	C=6364306
MATERIAL	FINISH	WEIGHT	RESTRICTED TO		
			CUSTOMER DRAWING		
		SCALE	5:1	SHEET	3 of 3
		REV	B		