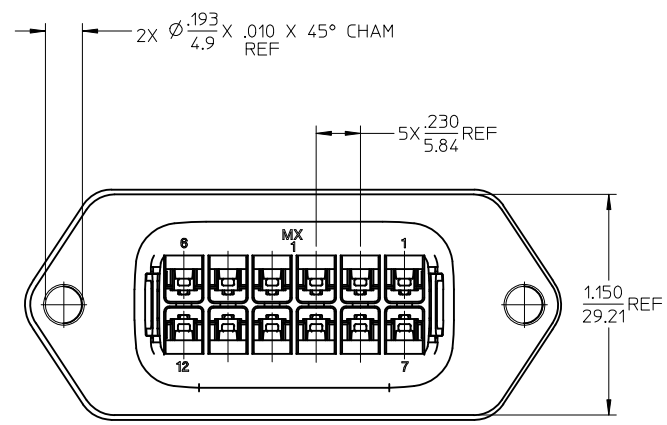
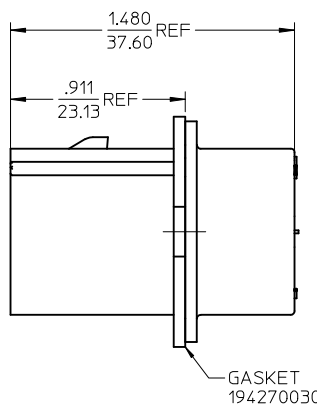
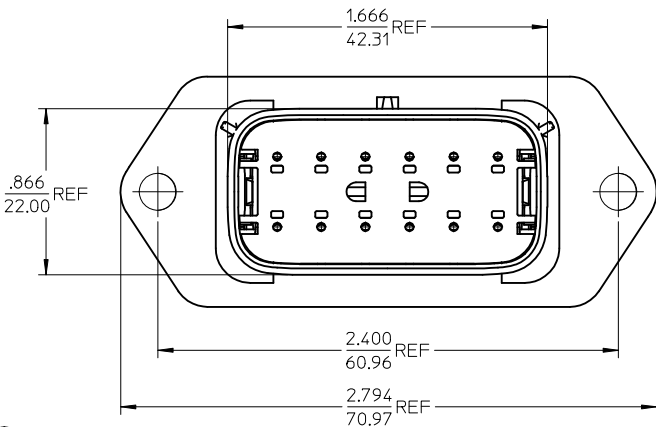
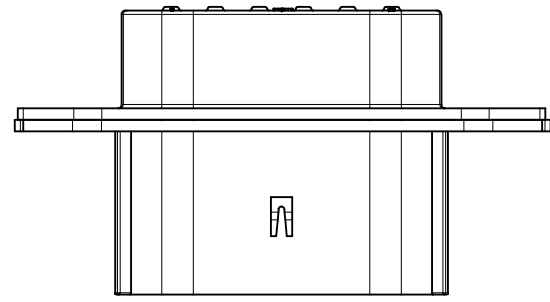
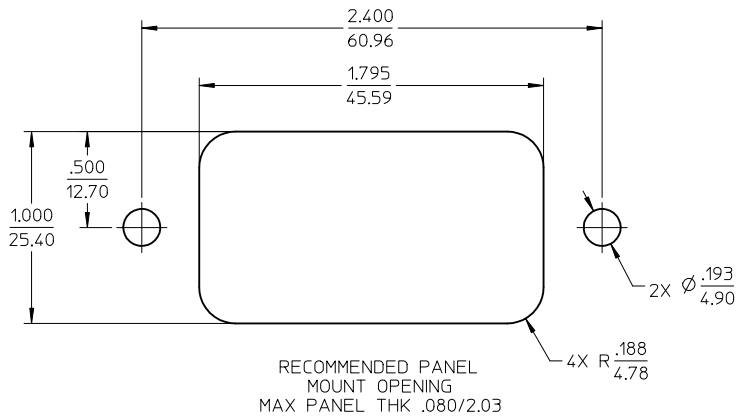


ASSEMBLED VIEW
SCALE 1:1



- NOTES:
 1. MATERIALS:
 HOUSING: POLYESTER (PBT), GLASS FILLED, UL94 V-0, COLOR: BLACK
 GASKET: EPDM RUBBER
 2. PRODUCT SPECIFICATION: PS-19417-001.
 3. PACKAGING SPECIFICATION: PK-19429-001.
 GASKETS, IF REQUIRED FOR THE ASSEMBLIES,
 ARE BULK PACKAGED IN A SEPARATE BAG.
 4. MATES WITH: 19418 SERIES RECEPTACLE ASSEMBLIES.
 5. USE CONNECTOR WITH MALE CRIMP TERMINAL: SERIES 19417.
 6. RECOMMENDED MOUNTING HARDWARE: (2)#10 X .62/15.8 LONG
 PLASTIC THREAD CUTTING SCREWS, RECOMMENDED TORQUE 15-17 IN-LBS.
 SUGGESTED SOURCE: ITW SHAKEPROOF INDUSTRIAL BOSSCREW OR EQUIVALENT.
 7. ASSEMBLY IS ROHS COMPLIANT.

REVISE NOTES		EC NO: IPG2012-0161		DRWN: WLEUNG 2012/02/10		CHKD:		APPR: DITTIUS 2012/02/28		QUALITY SYMBOLS		GENERAL TOLERANCES (UNLESS SPECIFIED)		SCALE 2:1		DESIGN UNITS INCH		THIRD ANGLE PROJECTION		REVISE ON CAD ONLY	
B		REV		DESCRIPTION		▽ -0		▽ C -0		4 PLACES ± --- ± ---		3 PLACES ± --- ± .015		2 PLACES ± 0.38 ± ---		1 PLACE ± --- ± ---		ANGULAR ± 1 °		DRAFT WHERE APPLICABLE	
MUST REMAIN WITHIN DIMENSIONS		MATERIAL NO.		DOCUMENT NO.		SHEET NO.		TITLE		DRAWN BY		DATE		CHECKED BY		DATE		APPROVED BY		DATE	
MUST REMAIN WITHIN DIMENSIONS		SEE CHART		SD-19429-015		1 OF 1		12 WAY PLUG PANEL MOUNT ASSEMBLY W/O BOSS 22-14 AWG		DMYRICK		04/07/21		JPWLICK		04/07/21		RDEROSS		04/07/21	
THIS DRAWING CONTAINS INFORMATION THAT IS PROPRIETARY TO MOLEX INCORPORATED AND SHOULD NOT BE USED WITHOUT WRITTEN PERMISSION																					