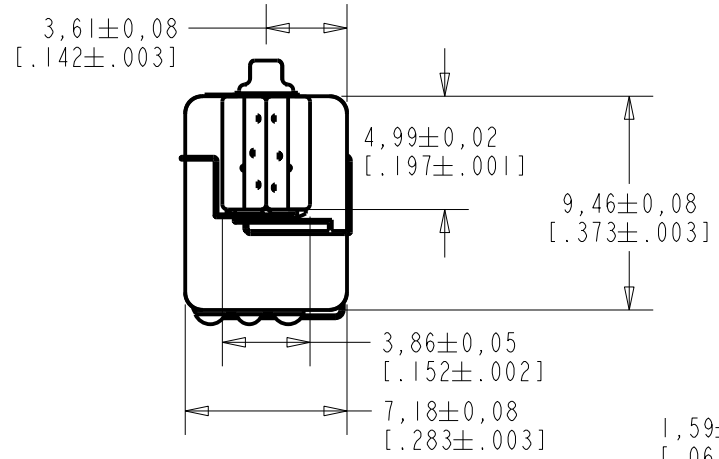
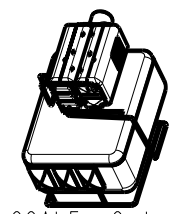
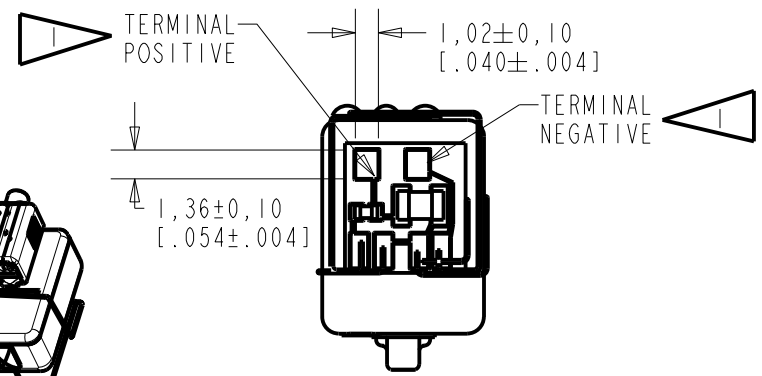
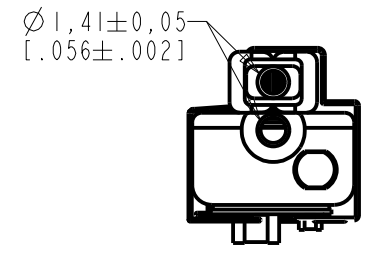
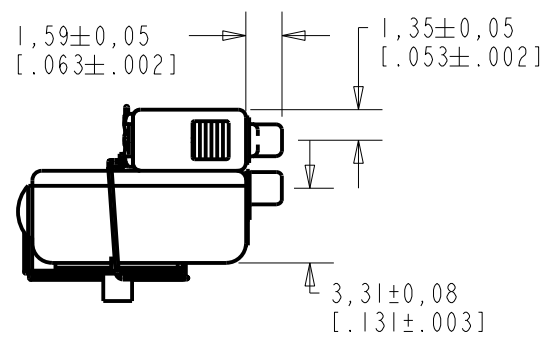
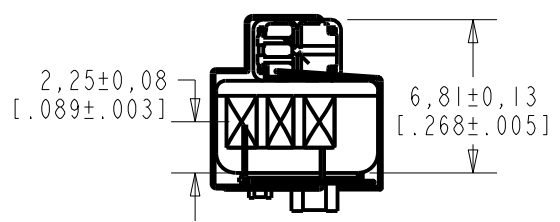


GK-31732-000
SHT 1.1



NOTES:

▲ A POSITIVE GOING VOLTAGE AT THE POSITIVE TERMINAL RELATIVE TO THE NEGATIVE TERMINAL CAUSES A DECREASE IN PRESSURE AT THE SOUND OUTLETS.



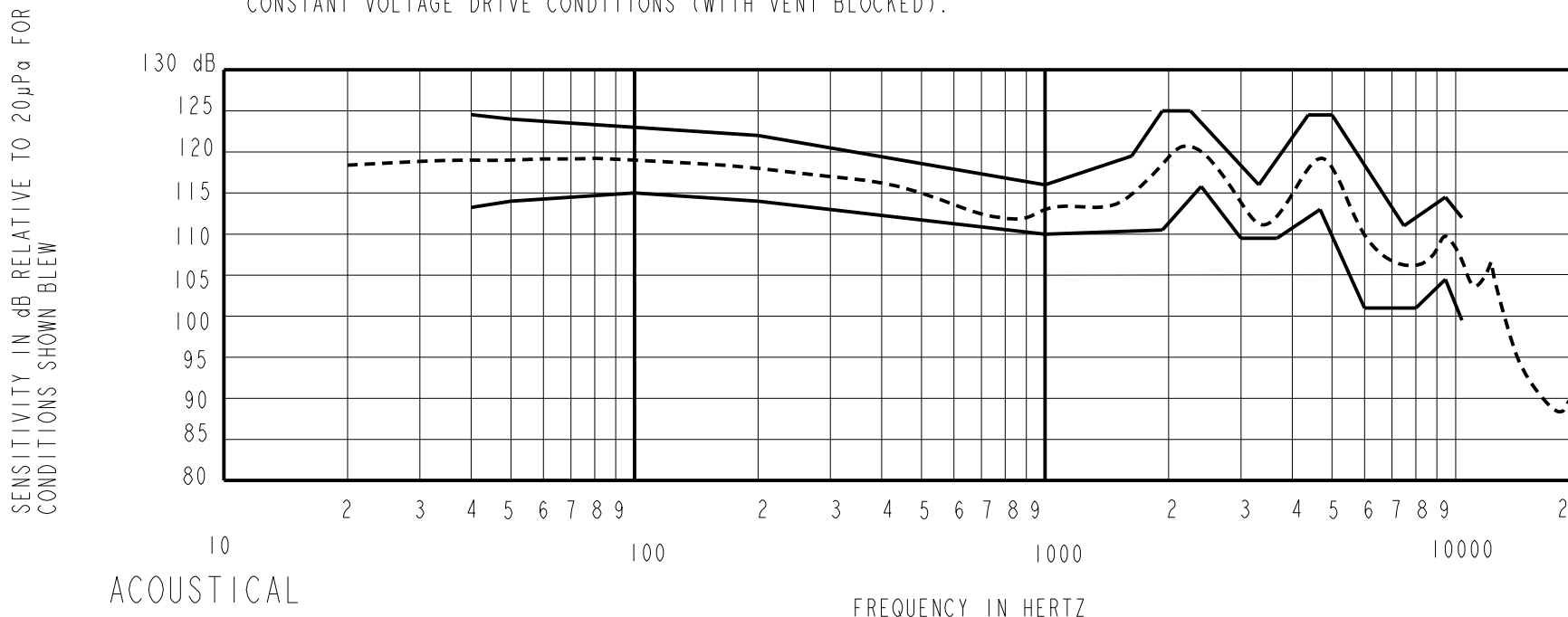
SCALE 2:1
NOMINAL WEIGHT 1.26 GRAM
DIMENSIONS IN MILLIMETERS [INCHES]

Revision	C.O. #	Implementation Date	RELEASE LEVEL	REVISION
A	C40101062	8-2-12	Active	A

SCALE: 3:1	DR. BY LW	DATE 8-2-12
DO NOT SCALE DRAWING	CK. BY GJP	DATE 8-23-12
TITLE: RECEIVER	APP. BY GJP	DATE 8-23-12
OUTLINE DRAWING		
	GK-31732-000	
	SHT 1.1	

KNOWLES ELECTRONICS
ITASCA, ILLINOIS U.S.A.

CONSTANT VOLTAGE DRIVE CONDITIONS (WITH VENT BLOCKED).



ACOUSTICAL

SENSITIVITY
DEVICE WILL PRODUCE THE SPL LISTED BELOW UNDER TEST CONDITION IN TABLE 3.
NOMINAL SENSITIVITY AT 1kHz IS dB RELATIVE TO 20 μPa. ALL OTHER VALUES
IN dB RELATIVE TO THE SENSITIVITY AT 1kHz.

FREQUENCY (Hz)	MINIMUM	NOMINAL	MAXIMUM
50	+1.0	+6.0	+11.0
100	+2.0	+6.0	+10.0
200	+1.0	+5.0	+9.0
1000	-3.0	+113.0	+3.0
1700	---	---	+6.5
1950	-2.5	+5.5	+12.0
2300	+2.8	---	---
2450	---	---	+12.0
3000	-5.5	---	---
3350	---	---	+3.0
3700	-5.5	---	---
4400	---	---	+11.5
4700	+0.0	---	---
5000	---	---	+11.5
6000	-12.0	---	---
7500	---	---	-2.0
8000	-12.0	---	---
9750	-8.5	---	+1.5
10500	-13.5	---	-1.0

TABLE 1
TOTAL HARMONIC DISTORTION
DEVICE WILL NOT EXCEED TOTAL HARMONIC DISTORTION LEVELS LISTED BELOW.

FREQUENCY (Hz)	AC DRIVE (V rms)	DC BIAS (mA)	LIMIT (%)
20-8000	0.13	0	4

TABLE 2
TEST CONDITIONS

NOMINAL SOURCE VOLTAGE	0.13 V rms, 0mA DC BIAS
SOURCE IMPEDANCE	<1 Ohm
TUBING	TUBELESS
COUPLER CAVITY	IEC 60318-4

TABLE 3
ELECTRICAL

DC RESISTANCE	24.1 Ohms ± 10%
IMPEDANCE @ 500 Hz	23.0 Ohms ± 20%
IMPEDANCE @ 1kHz	12.0 Ohms ± 20%

TABLE 4
ISOLATION: CASE WILL BE ELECTRICALLY ISOLATED FROM THE COIL CIRCUIT.

MECHANICAL

PORT LOCATION: 12S
SOLDER TYPE: SAC305 (LEAD FREE)

TEMPERATURE:
OPERATING: SENSITIVITY AT 1kHz WILL NOT VARY
BY MORE THAN +1/-3 dB FROM
0°C TO 63°C
STORAGE: -40°C TO 63°C

KNOWLES ELECTRONICS
ITASCA, ILLINOIS U.S.A.

Revision	C.O. #	Implementation Date	RELEASE LEVEL	REVISION
A	C40101062	8-2-12	Active	A

WHEN TEST LIMITS ARE USED TO ESTABLISH INCOMING INSPECTION ACCEPTANCE/REJECTION CRITERIA, CORRELATION OF TEST EQUIPMENT WITH KNOWLES IS ALSO REQUIRED FOR ELIMINATION OF EQUIPMENT AND TEST METHOD VARIATION		DR. BY LW	DATE 8-2-12
TITLE: RECEIVER		CK. BY GJP	DATE 8-23-12
PERFORMANCE SPECIFICATION		APP. BY GJP	DATE 8-23-12

GK-31732-000	
SHT 2.1	