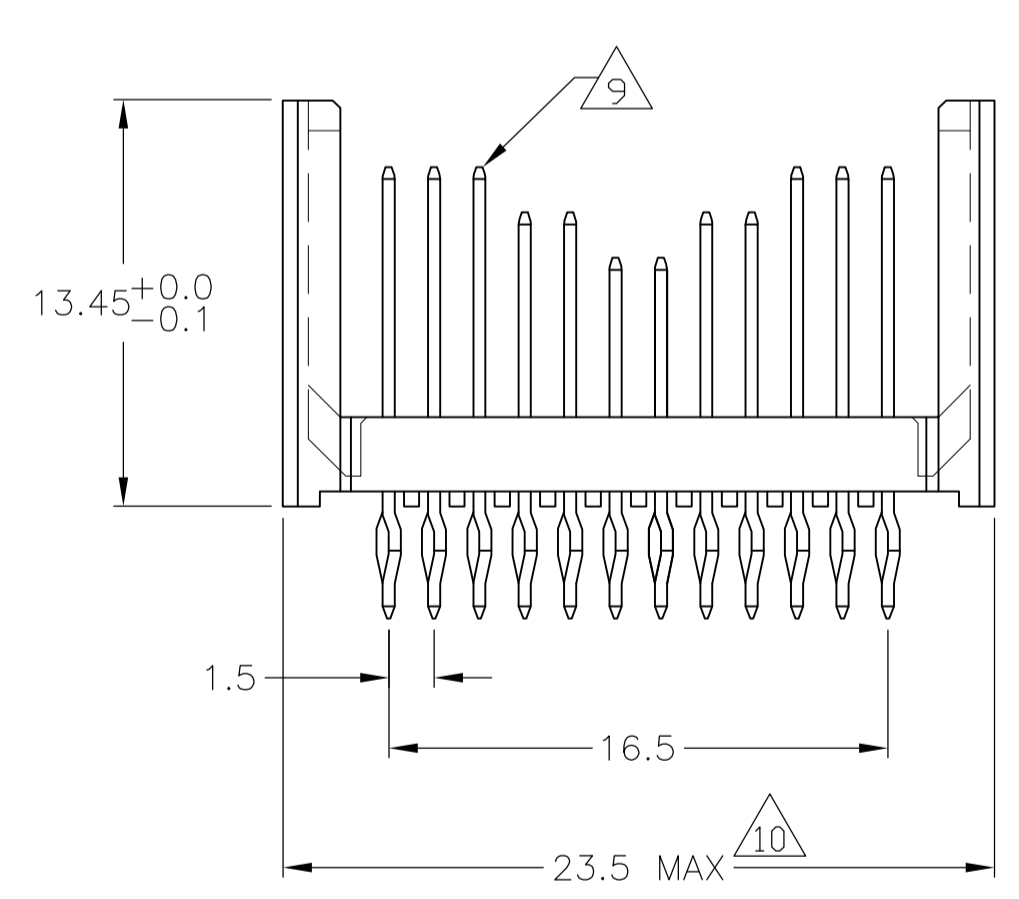
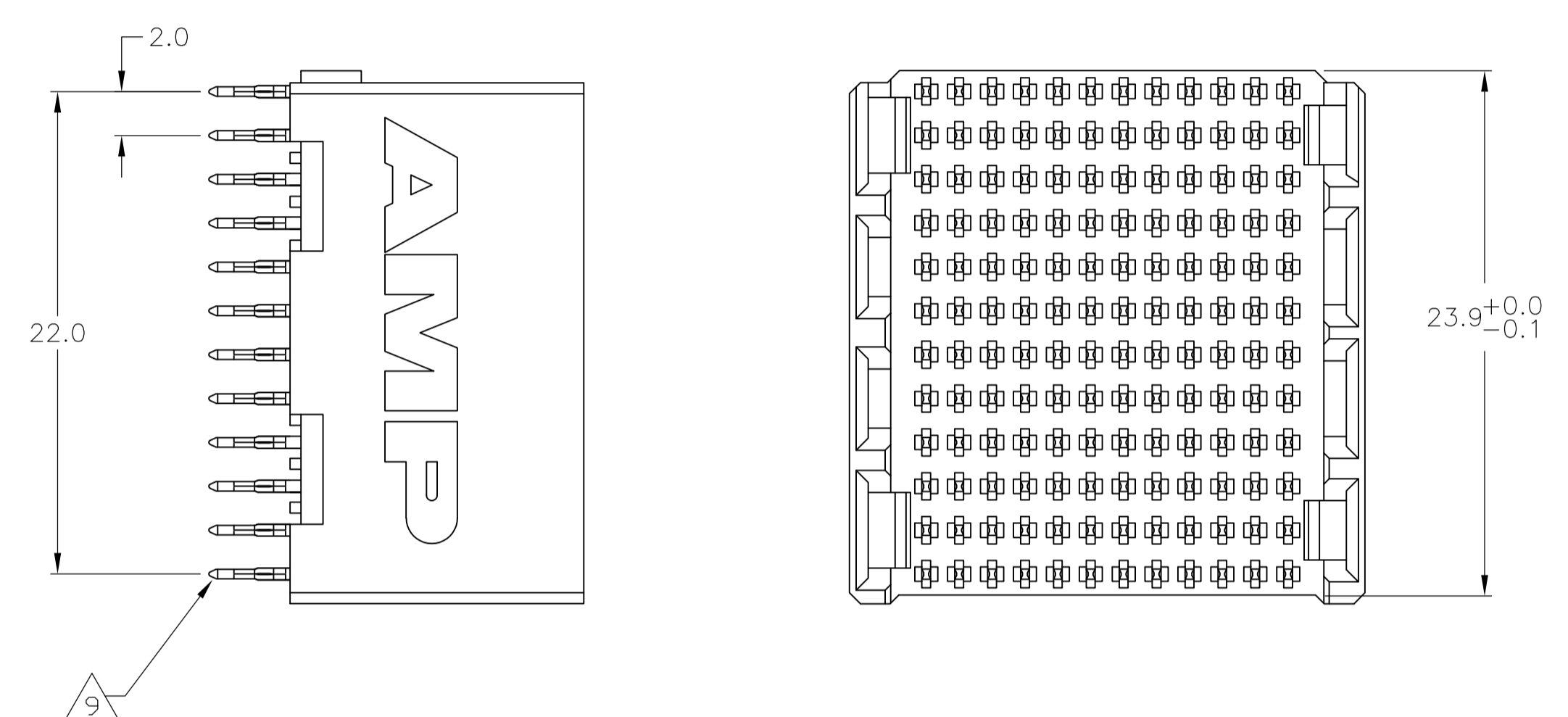
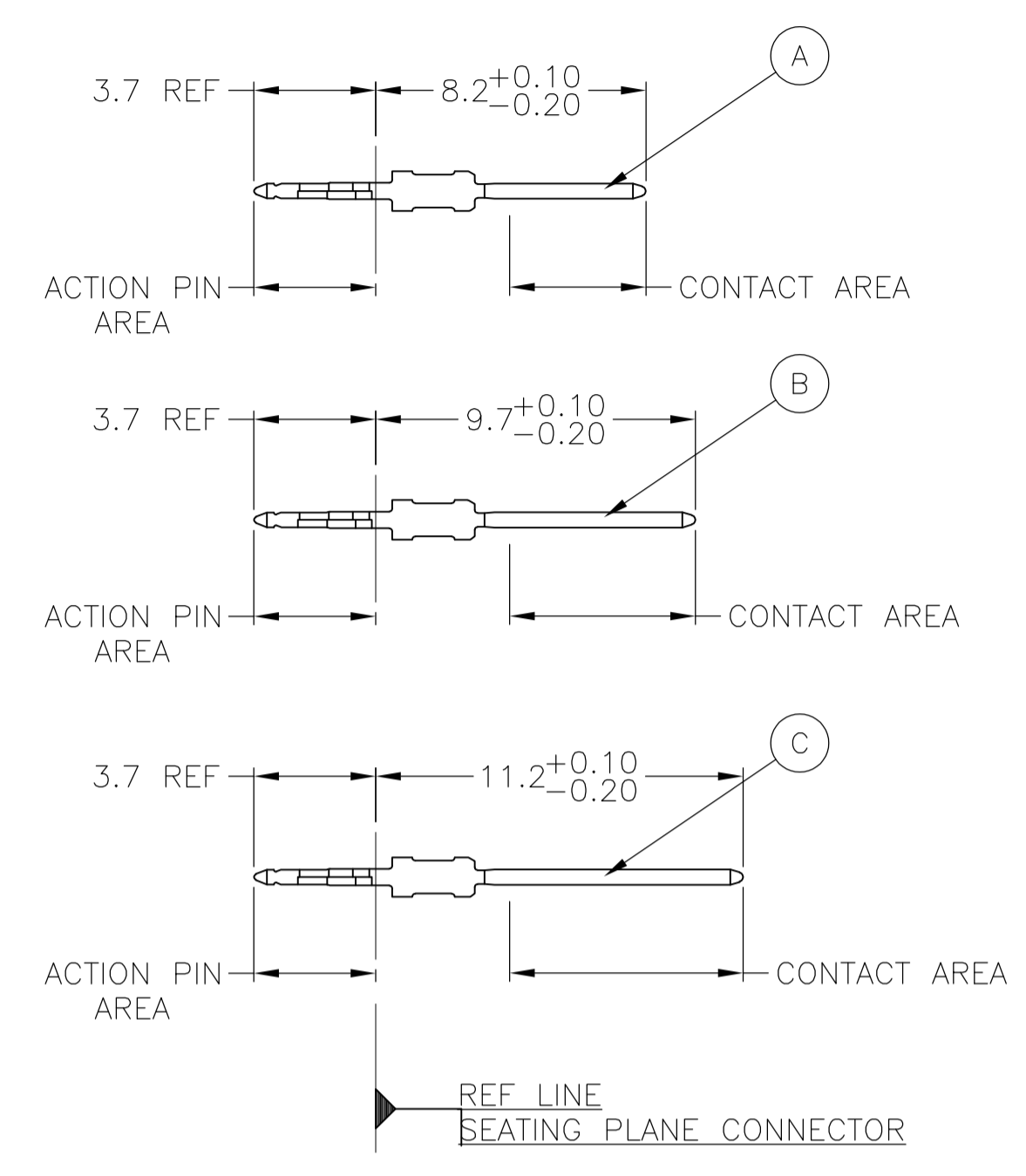


LOC		DIST		REVISIONS			
AD	00	REV	DESCRIPTION	DATE	BY	CHK	APPV
		B	REV PER ECO-06-02168	10JAN07	DKH	GS	
		C	ECR-10-019054	15SEP10	DP	MQW	

**CONNECTOR ASSEMBLY
EXAMPLARY LOADED**



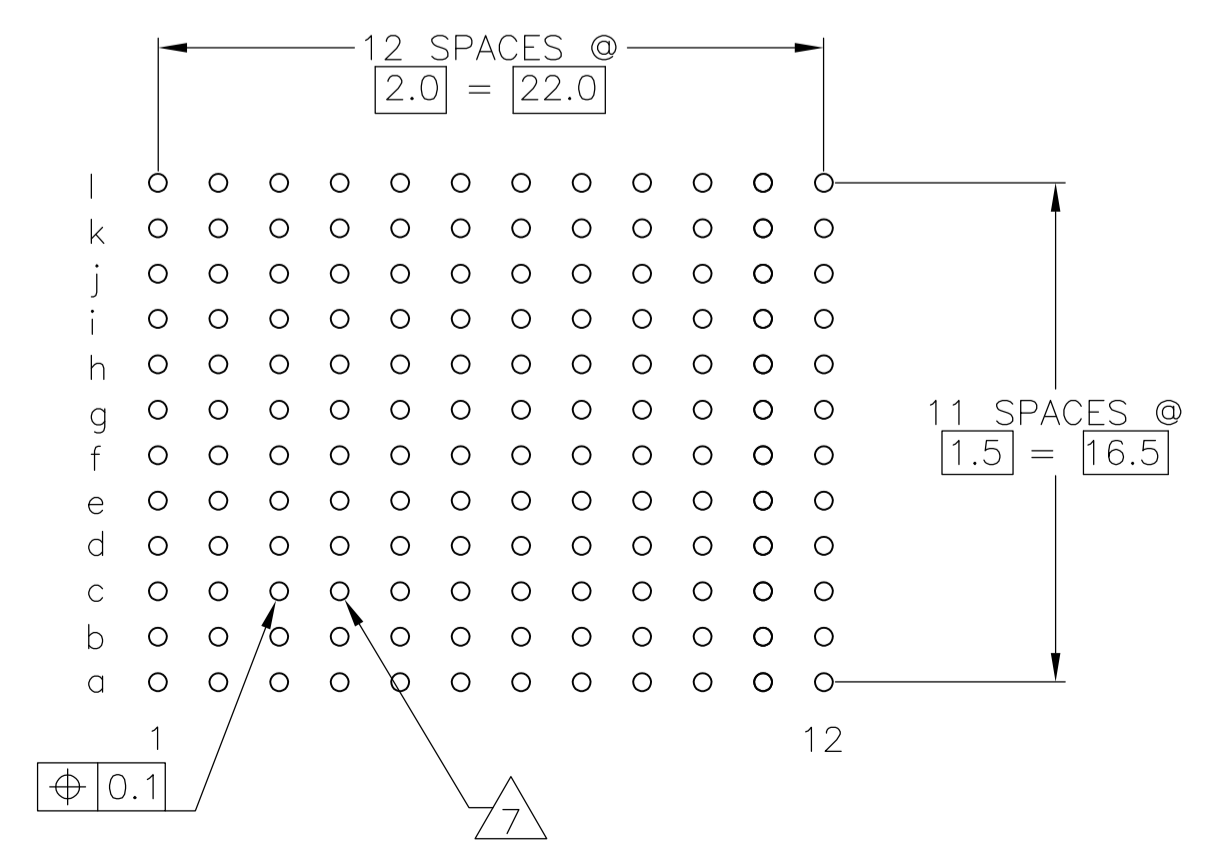
CONTACT DIMENSIONS
SCALE 5:1



CONTACT LAYOUT

	a	b	c	d	e	f	g	h	i	j	k	l
1	C	C	C	B	B	A	A	B	B	C	C	C
2	C	C	C	B	B	A	A	B	B	C	C	C
3	C	C	C	B	B	A	A	B	B	C	C	C
4	C	C	C	B	B	A	A	B	B	C	C	C
5	C	C	C	B	B	A	A	B	B	C	C	C
6	C	C	C	B	B	A	A	B	B	C	C	C
7	C	C	C	B	B	A	A	B	B	C	C	C
8	C	C	C	B	B	A	A	B	B	C	C	C
9	C	C	C	B	B	A	A	B	B	C	C	C
10	C	C	C	B	B	A	A	B	B	C	C	C
11	C	C	C	B	B	A	A	B	B	C	C	C
12	C	C	C	B	B	A	A	B	B	C	C	C

**RECOMMENDED PCB-HOLE LAYOUT
COMPONENT SIDE SHOWN**



PLATED THRU HOLES PARAMETERS
REFERENCE APPLICATION SPECIFICATION

$\frac{2}{2} \frac{6}{5} \frac{11}{4}$	1-5120779-9
$\frac{2}{2} \frac{5}{4} \frac{11}{3}$	5120779-9
$\frac{2}{2} \frac{4}{3}$	5120779-4
$\frac{2}{2} \frac{3}{3}$	5120779-1
FINISH	PART NUMBER

THIS DRAWING IS A CONTROLLED DOCUMENT.		DIN B CARBO 02JUN05	Tyco Electronics Corporation Harrisburg, Pa 17105-3608	
DIMENSIONS: mm		CHK G SKIPPER 02JUN05	NAME MALE ASSEMBLY, Z-PACK 2mm HM, TYPE B, 12 ROW	
TOLERANCES UNLESS OTHERWISE SPECIFIED: ±0.2		APPV G SKIPPER 02JUN05	APPLICATION SPEC 108-1738	
MATERIAL 1		FINISH SEE TABLE	SIZE A1	WEIGHT 114-1132
			CAGE CODE 00779	DRAWING NO 5120779
			CUSTOMER DRAWING	SCALE 4:1 SHEET 1 OF 2 REV C

LOC		DIST		REVISIONS				
P	LTR	DESCRIPTION	DATE	DN	APVO			
AD	00	SEE SHEET 1						

- 1 MATERIAL:
CONTACT: PHOSPHOR BRONZE.
HOUSING: GLASS-FILLED POLYESTER.
- 2 GENERAL PLATING SPECIFICATION: UNDERPLATING
(ENTIRE CONTACT): 1.27µm MIN NICKEL AND ACTION
PIN: 0.5µm MIN TIN.
FOR PLATING OF MATING SURFACES SEE APPLICABLE
SPECIFICATION REFERENCE FOR EACH DASH NUMBER.
- 3 CONFORMS TO ALL TESTING ACCORDING TO IEC 61076-4-101
PERFORMANCE LEVEL 2.
- 4 CONFORMS TO ALL TESTING ACCORDING TO IEC 61076-4-101
PERFORMANCE LEVEL 1.
- 5 CONNECTOR TESTED AND QUALIFIED AGAINST TELCORDIA GR-1217-CORE QUALITY LEVEL 3,
CENTRAL OFFICE APPLICATIONS.
- 6 CONNECTOR TESTED AND QUALIFIED AGAINST TELCORDIA GR-1217-CORE QUALITY LEVEL 3,
UNCONTROLLED ENVIROMENT APPLICATIONS.
- 7 PLATED-THROUGH HOLES AT 2x2mm SQUARE GRID
PATTERN DEFINED BY CONTACT LAYOUT.
- 8 FOR ACTUAL PIN LOADING SEE "CONTACT LAYOUT".
- 9 FOR ACTUAL PIN DIMENSIONS SEE "CONTACT DIMENSIONS".
- 10 TO BE MEASURED AT BOTTOM OF SHROUD.
- 11 CONNECTOR LUBRICATED WITH BELCORE APPROVED LUBRICANT,
TECHNICAL REFERENCE: TR-NWT-001217 ISSUE 1, SEP 1992.

THIS DRAWING IS A CONTROLLED DOCUMENT.		DIN B CARBO 02JUN05		Tyco Electronics Corporation Harrisburg, Pa 17105-3608	
DIMENSIONS: mm		TOLERANCES UNLESS OTHERWISE SPECIFIED: 0-PLC ± 1-PLC ±0.1 2-PLC ± 3-PLC ± 4-PLC ± ANGLES		APVO G SKIPPER 02JUN05 NAME MALE ASSEMBLY, Z-PACK 2mm HM, TYPE B, 12 ROW	
MATERIAL SEE SHEET 1		FINISH SEE SHEET 1		PRODUCT SPEC 108-1738 APPLICATION SPEC 114-1132	
		WEIGHT -		SIZE CAGE CODE DRAWING NO A1 00779 C=5120779	
		CUSTOMER DRAWING		RESTRICTED TO SCALE 4:1 SHEET 2 OF 2 REV C	