



- Polyamide / PVC hand held enclosure for MCR and automation engineering
- Large fitting space
- Variable length using profile technology

Included in delivery

Enclosure system consisting of polyamide internal enclosure with end covers, two side PVC cover profiles, Alucobond composite front plate, rear wall, 2 external end covers, with M 25 x 1,5 threaded hole for cable gland

Technical data

Material:

Polyamide / PVC

Ingress protection:

IP 65 to EN 60529

Impact resistance:

5 Joule to EN 60079-0

Flammability:

End covers: UL 94 HB

Colour:

End covers: RAL 1021, rape yellow

PVC-profile: RAL 9005, jet black

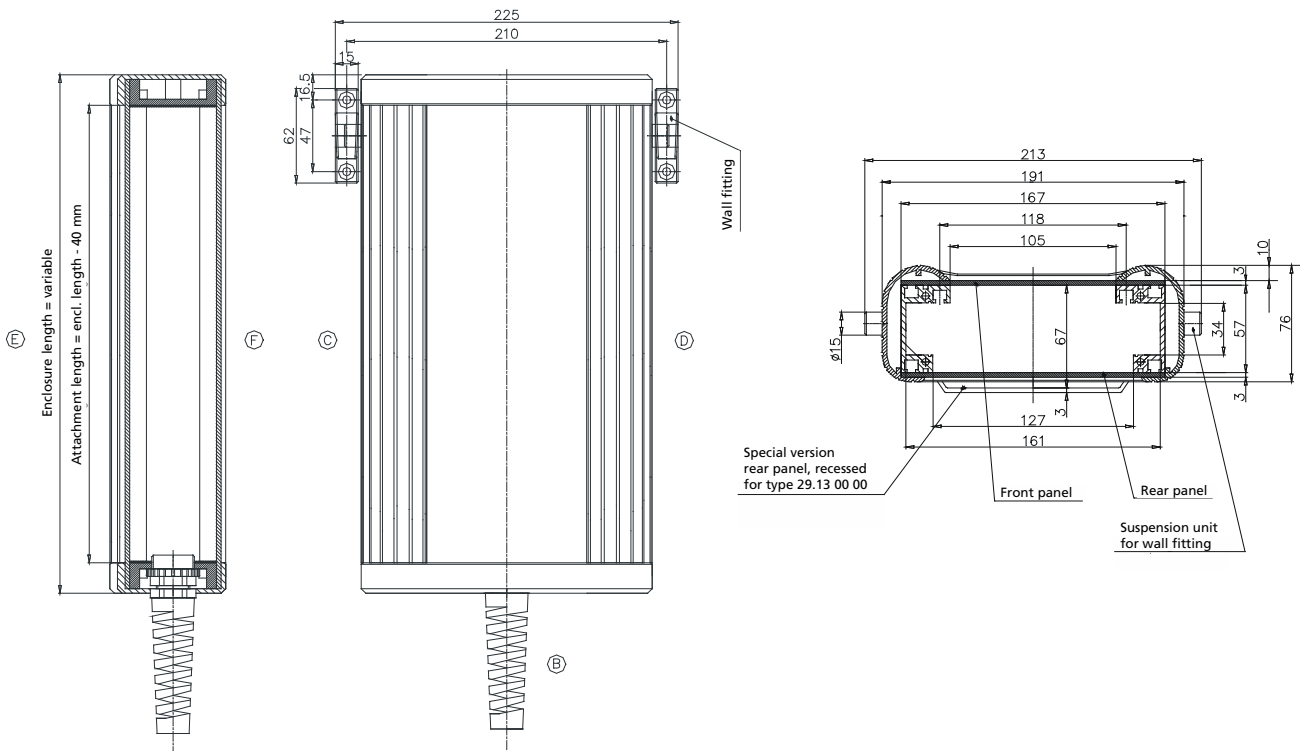
Temperature range:

-20°C to +70°C

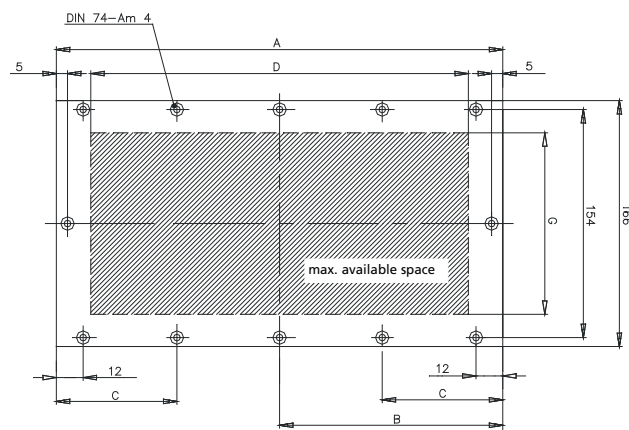
Dimensions



Standard	Dimensions	Weight (g)
29.11 10 00	280 x 191 x 76	1660
29.12 10 00	330 x 191 x 76	1900
29.13 10 00	440 x 191 x 76	2200
29.19 10 00	Special length	



Type	A	B	C	D	G
29.11 10 00	274	-	92	240	105/127
29.12 10 00	324	162	81	290	105/127
29.13 10 00	434	217	109	400	105/127
Special size, $A \leq 300$ mm	Enclosure length - 6	-	A/3	A - 34	105/127
Special size, $A \geq 300$ mm	Enclosure length - 6	A/2	A/4	A - 34	105/127



Pilot 50

Zubehör



PCB fixing set
Set = 4 pcs with spring nuts
Order No. **29.00 00 60**



Set of spring nuts
Spring nuts (M4) for internal mounting;
set = 4 pcs
Order No. **29.00 00 50**



Wall holder set
Order No. **29.00 00 70**



Pilot with small control device



Inner T-slots offer mounting facilities on all sides



EMC version



Variable fittings