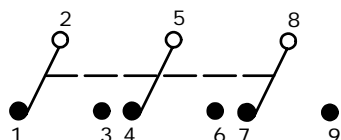


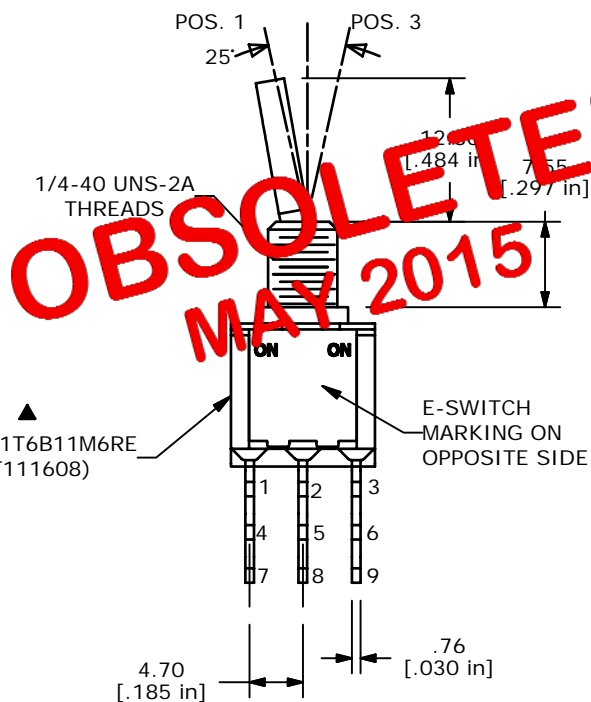
ISOMETRIC

P.C. MOUNTING

SWITCH FUNCTION		
POS. 1	POS. 2	POS. 3
ON	NONE	ON
2-3, 5-6, 8-9	OPEN	2-1, 5-4, 8-7

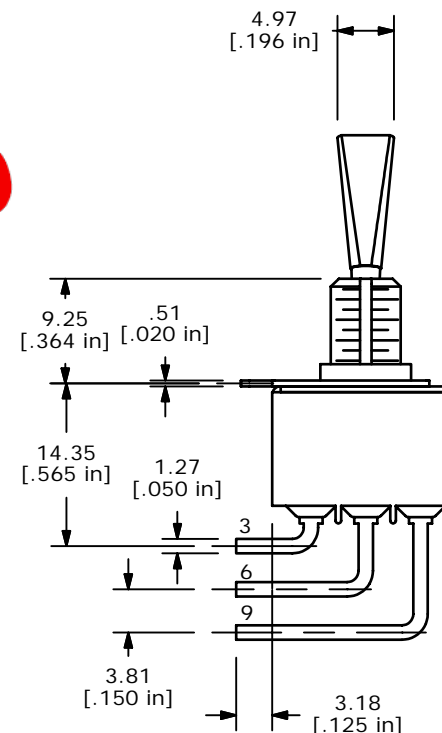


CIRCUIT: 3PDT



1003P1T6B11M6RE (T111608)

E-SWITCH MARKING ON OPPOSITE SIDE



OBSOLETE
MAY 2015

NOTE:

1. ALL DIMENSIONS IN MM [INCH]
2. GENERAL TOLERANCE: X.X=±0.4
X.XX=±0.25
3. TERMINAL NUMBERS FOR REF ONLY
- ▲4. PLATING MATERIAL: GOLD
5. RATING: 0.4 (VA) MAX. @20V MAX.
6. ELECTRIC LIFE: 40,000 MAKE-AND-BREAK CYCLES AT FULL LOAD.
7. INSULATION RESISTANCE: 1,000 MEGA-OHM MIN.
8. DIELECTRIC STRENGTH: 1,000 V RMS @SEA LEVEL.
9. OPERATING TEMP.: -30°C to 85°C
- ▲10. HARDWARE TO BE SHIPPED BULK
T100000 - HEXNUT - QTY 2
T100011 - LOCKWASHER - QTY 1
T100015 - LOCKRING - QTY 1
11. ▲DENOTES CRITICAL PARAMETER.

E-SWITCH®

A	14908	RELEASED FOR PRODUCTION	5/10/05	JB
REV	PCR NO	DESCRIPTION	DATE	BY

TITLE 1003P1T6B11M6REH				
SCALE	DATE	DR	DWG	REV
2:1	5/10/2005	JB	ST111608	A

THE INFORMATION CONTAINED IN THIS DOCUMENT IS PROPRIETARY TO E-SWITCH AND IS NOT TO BE COPIED OR TRANSFERRED