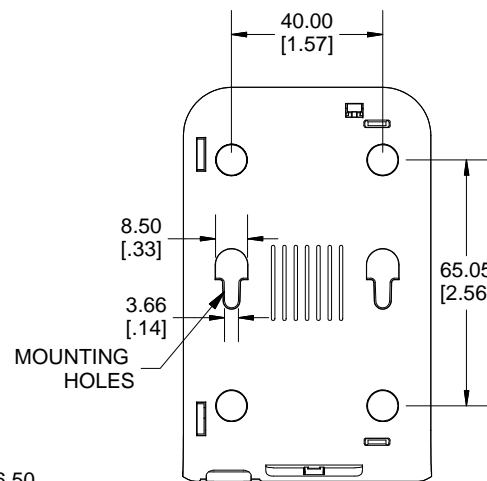
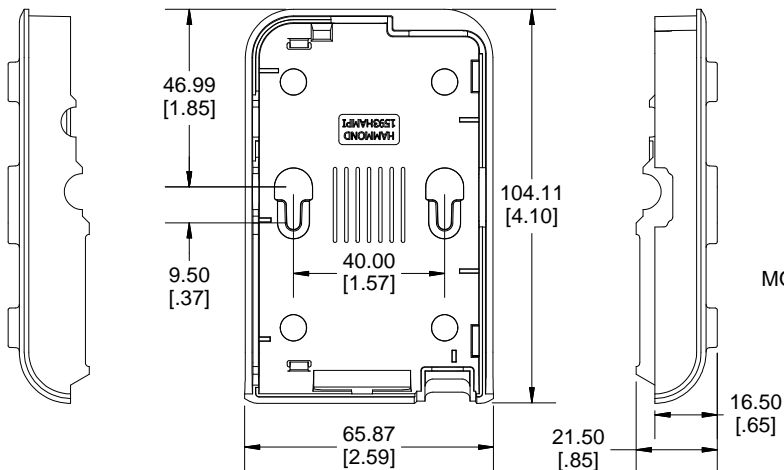


Enclosures can be Factory Modified ( Milling, Drilling, Printing etc.)  
 Contact Factory [mjm@hammondmfg.com](mailto:mjm@hammondmfg.com) for quotes  
 Solid models of this enclosure available in STEP or IGES.



**NOTE**  
 Purchased assembly includes top and bottom cover, 4 clear rubber feet, (Development Board is not Included)

<b>PART NUMBERS</b>	
<b>1593HAMPI Enclosure</b>	
<b>Black Enclosure</b>	1593HAMPIBK
<b>Grey Enclosure</b>	1593HAMPIGY
<b>Transparent Blue Enclosure</b>	1593HAMPIBU

Dimensions:  
 mm  
 [inches]

**HAMMOND MANUFACTURING™**  
**1593HAMPI**  
[www.hammondmfg.com](http://www.hammondmfg.com)