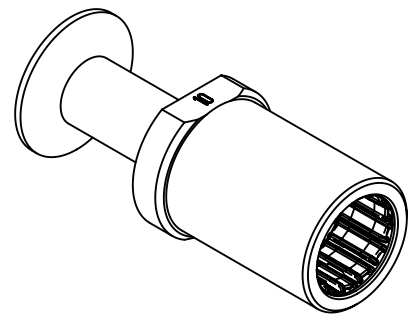


assembly notes see catalog
 crimp zone acc. to DIN EN 46235; indicator 10
 for stranded fine wire acc. to VDE 0295 class 5/IEC 60228 class 5
 wire gauge: 25mm²
 stripping length: 26mm



	All Dimensions in mm Original Size DIN A4	Scale 2:1		Free size tol.		Ref.	
						Sub.	
	All rights reserved Department EL PD - DE	Created by	Inspected by	Standardisation	Date	State	
		FINKEV	SCHNIEDER	SCHMIDTM	2015-01-19	Final Release	
HARTING Electric GmbH & Co. KG D-32339 Espelkamp		Title Han TC350 female contact 25mm ²				Doc-Key / ECM-Nr. 100175347/UGD/002/A 500000083632	
		Type TB	Number 09 11 000 6239			Rev. A	Page 1/1