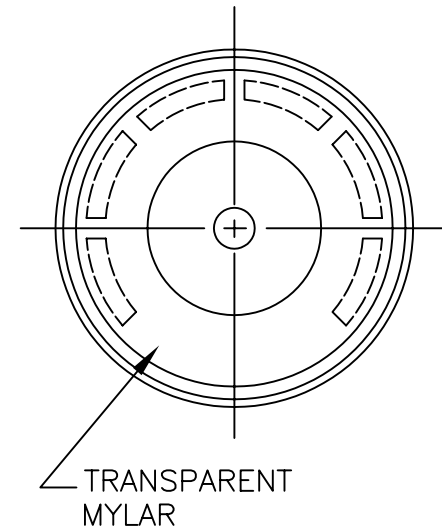
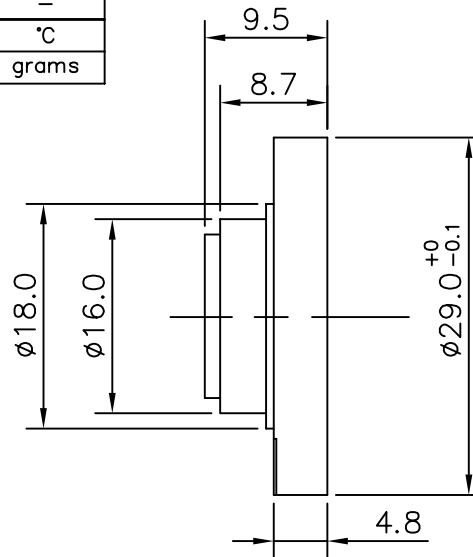
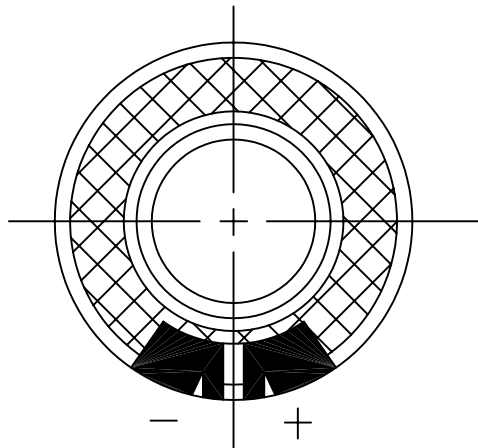


THIS DOCUMENT CONTAINS DATA PROPRIETARY TO PROJECTS UNLIMITED, INC. ANY USE OR REPRODUCTION, IN ANY FORM, WITHOUT PRIOR WRITTEN PERMISSION OF PROJECTS UNLIMITED, INC. IS PROHIBITED.
 © 2003, Projects Unlimited Inc.

SPECIFICATIONS

PARAMETERS	VALUES	UNITS
RATED INPUT POWER	0.1	W
MAX INPUT POWER	0.2	W
IMPEDANCE	8±15%	OHM
OUTPUT SPL @ 0.1W/10 cm (AT 1.0, 1.2, 1.5, 2.0 kHz)	88±3	dB
DISTORTION	10%	-
RESONANT FREQUENCY	650±20%	Hz
FREQUENCY RANGE	650 ~ 4,000	Hz
HOUSING MATERIAL	ABS UL-94 1/16" HB	-
CONE MATERIAL	TRANSPARENT MYLAR	-
MAGNET MATERIAL	FERRITE	-
OPERATING TEMPERATURE	-20 ~ +55	°C
WEIGHT	8.0	grams

REVISIONS			
LTR	DESCRIPTION	DATE	APPROVED
-	RELEASED FROM ENGINEERING	4/11/02	
A	REVISED TO NEW TEMPLATE	4/14/04	R. W.



NOTES:

1. ALL DIMENSIONS ARE IN MILLIMETERS.
2. SPECIFICATION SUBJECT TO CHANGE OR WITHDRAWAL WITHOUT NOTICE.

UNLESS OTHERWISE SPECIFIED:
 DIMENSIONS ARE IN MILLIMETERS.
 TOLERANCES ARE ±0.5 AND ANGLES ARE ±3°.



Dayton, Ohio

MINIATURE SPEAKER TRANSDUCER
 ADS-2908

APPROVALS	DATE
DRAWN <i>RABL</i>	4/02
APPROVED <i>S.J.</i>	4/02

SIZE A DRAWING NO. ADS-2908

FILE NAME
 ADS-2908.DWG

DO NOT SCALE DRAWING

SCALE: N.T.S.

SHEET 1 OF 1