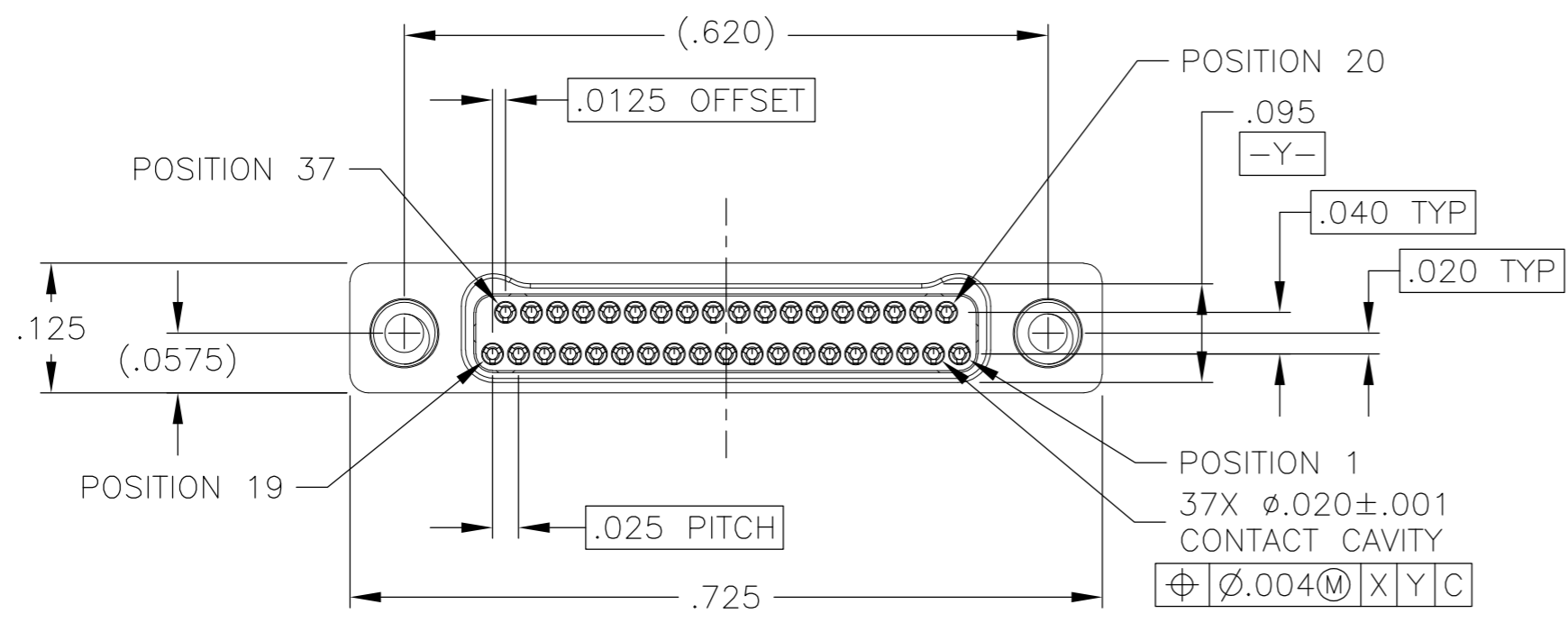
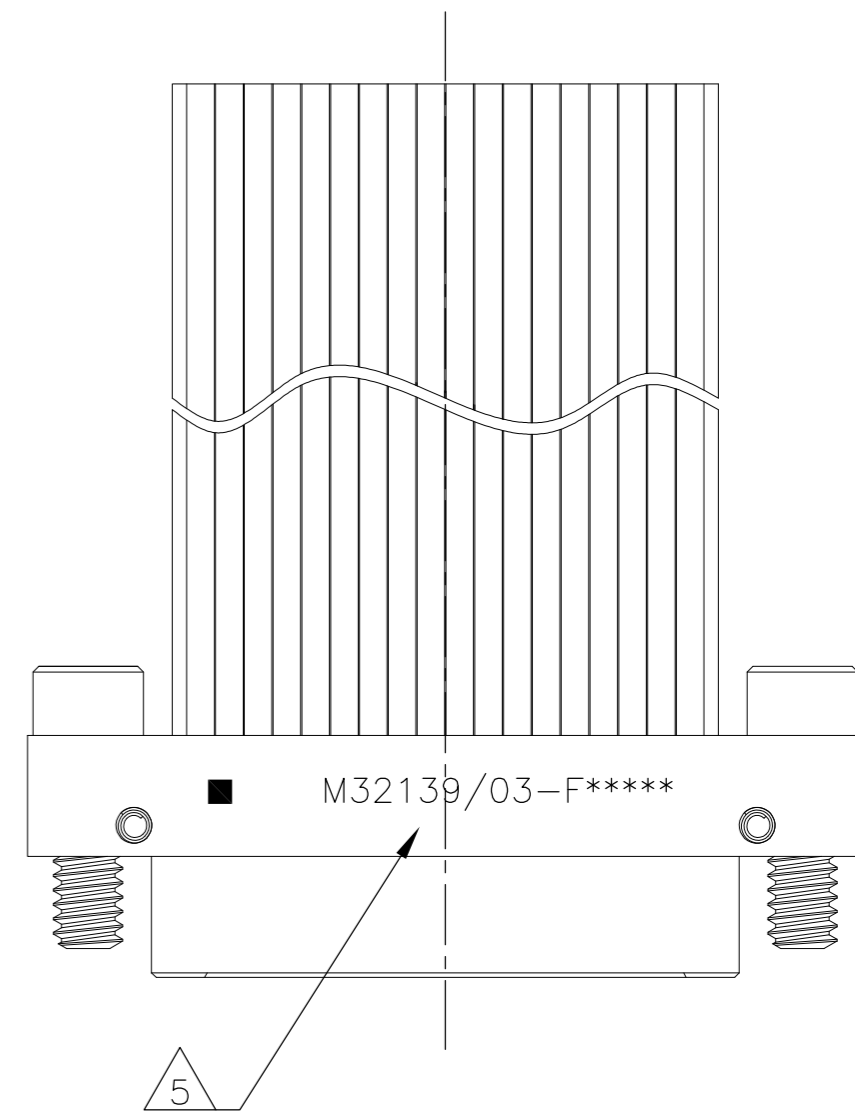
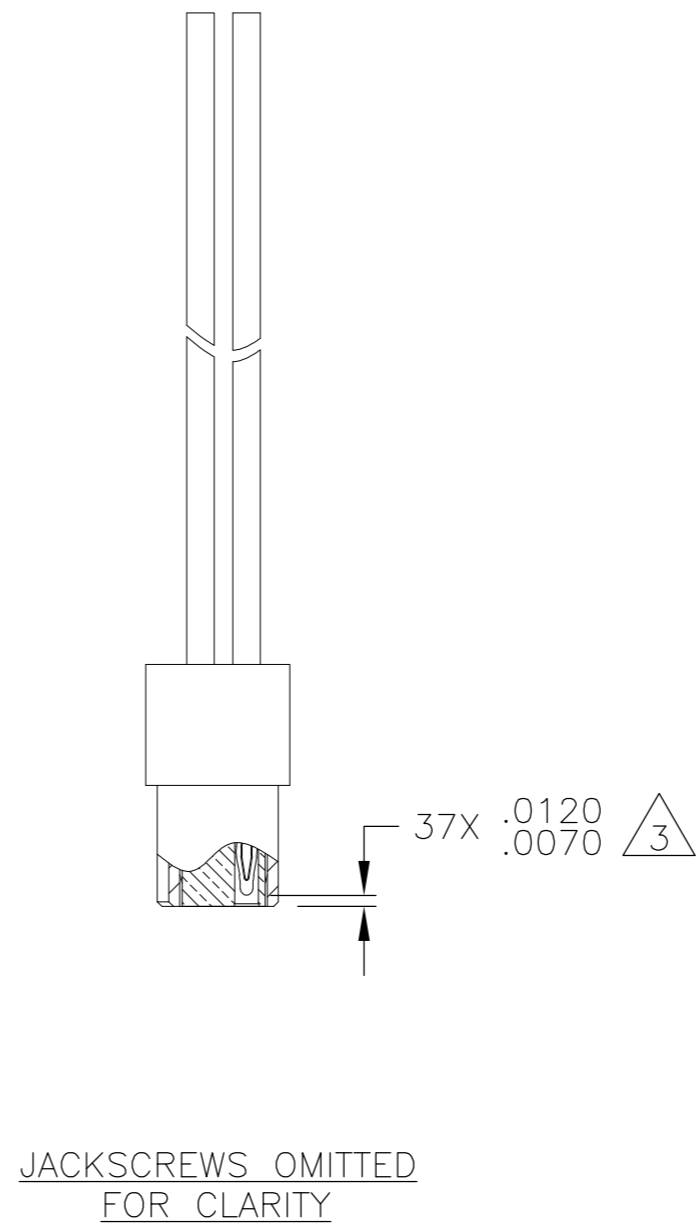
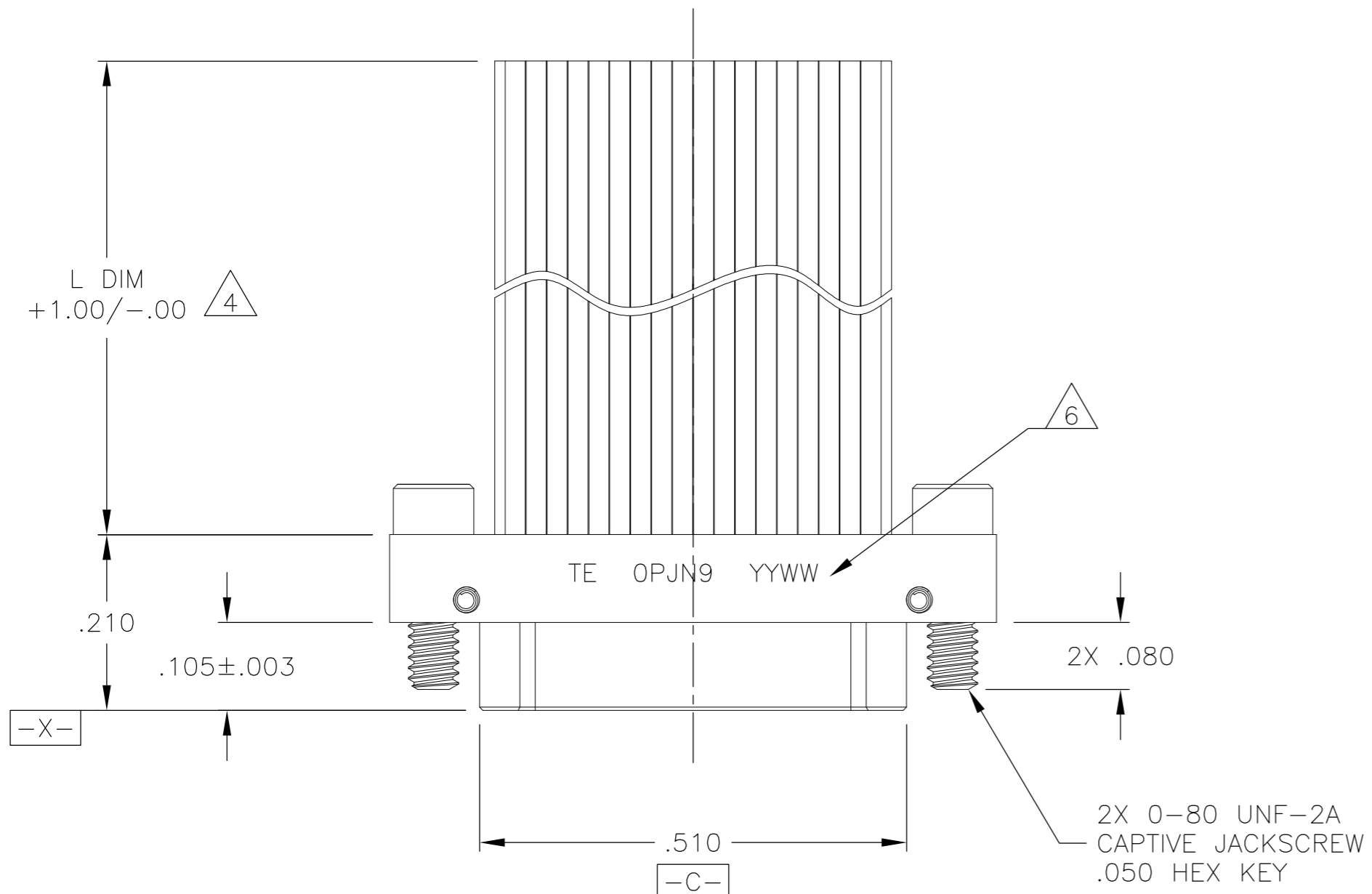


THIS DRAWING IS UNPUBLISHED. RELEASED FOR PUBLICATION  
 © COPYRIGHT - By - ALL RIGHTS RESERVED.

LOC		DIST		REVISIONS			
P	LTR	DESCRIPTION		DATE	DWN	APVD	
B		REV PER ECO 15-007382		5-18-15	CT	RL	



1 ALL DIMENSIONS, MATERIALS, AND FINISHES ARE IN ACCORDANCE WITH MIL-DTL-32139 AND MIL-DTL-32139/3  
 2 SEE SHEET 2 FOR MIL-DTL-32139 PIN (PART IDENTIFYING NUMBER) AND CORRESPONDING TE PART NUMBERS

- 3 INSULATOR SHALL BE FLUSH WITH THE SHELL TO WITHIN ±.004
- 4 WIRE TYPE DEFINED BY MIL-DTL-32139/3
- 5 CONNECTOR SHALL BE MARKED IN ACCORDANCE WITH METHOD I OF MIL-STD-1285. MARKING SHALL CONTAIN THE MILITARY PIN AND POSITION 1 INDICATED BY AN IDENTIFIABLE MARK, LOCATED APPROXIMATELY AS SHOWN ON THE POSITION 1 SIDE OF THE CONNECTOR FLANGE. TEXT HEIGHT SHALL BE .035 INCH MINIMUM.
- 6 CONNECTOR SHALL BE MARKED IN ACCORDANCE WITH METHOD I OF MIL-STD-1285. MARKING SHALL CONTAIN TE, CAGE CODE AND DATE CODE. EXAMPLE: TE OPJN9 YYWW (WHERE YYWW IS THE DATE CODE). TEXT HEIGHT SHALL BE .035 INCH MINIMUM.

THIS DRAWING IS A CONTROLLED DOCUMENT.		DWN	16 AUG 10		TE Connectivity	
DIMENSIONS: INCHES		CHK	16 AUG 10		NAME	
TOLERANCES UNLESS OTHERWISE SPECIFIED:		M STORRY		PRODUCT SPEC		
0 PLC ± -		APVD -		APPLICATION SPEC		
1 PLC ± -		-		WEIGHT -		
2 PLC ± -		-		SIZE A2		
3 PLC ± .005		-		CAGE CODE OPJN9		
4 PLC ± -		-		DRAWING NO C=1925219		
ANGLES ± 2°		-		RESTRICTED TO -		
MATERIAL SEE NOTES		FINISH SEE NOTES		CUSTOMER DRAWING		
		SCALE 6:1		SHEET 1 of 2		
		REV B				

THIS DRAWING IS UNPUBLISHED. RELEASED FOR PUBLICATION  
 © COPYRIGHT - By - ALL RIGHTS RESERVED.

LOC		DIST		REVISIONS			
P	LTR	DESCRIPTION	DATE	DWN	APVD		
-	-	SEE SHEET 1	-	-	-		

PART NUMBER CROSS REFERENCE			
TE P/N	L DIM	MIL SPEC PIN	NANONICS P/N
1925219-1	6	M32139/03-F01SNS	TMN2N037PC2DX006S
1925219-2	6	M32139/03-F01SSS	TMN2S037PC2DX006S
1925219-3	18	M32139/03-F02SNS	TMN2N037PC2DX018S
1925219-4	18	M32139/03-F02SSS	TMN2S037PC2DX018S
1925219-5	36	M32139/03-F03SNS	TMN2N037PC2DX036S
1925219-6	36	M32139/03-F03SSS	TMN2S037PC2DX036S
1925219-7	6	M32139/03-F04SNS	TMN2N037PC2DM006S
1925219-8	6	M32139/03-F04SSS	TMN2S037PC2DM006S
1925219-9	18	M32139/03-F05SNS	TMN2N037PC2DM018S
1-1925219-0	18	M32139/03-F05SSS	TMN2S037PC2DM018S
1-1925219-1	36	M32139/03-F06SNS	TMN2N037PC2DM036S
1-1925219-2	36	M32139/03-F06SSS	TMN2S037PC2DM036S
1-1925219-3	6	M32139/03-F07SNS	TMN2N037PC2DT006S
1-1925219-4	6	M32139/03-F07SSS	TMN2S037PC2DT006S
1-1925219-5	18	M32139/03-F08SNS	TMN2N037PC2DT018S
1-1925219-6	18	M32139/03-F08SSS	TMN2S037PC2DT018S
1-1925219-7	36	M32139/03-F09SNS	TMN2N037PC2DT036S
1-1925219-8	36	M32139/03-F09SSS	TMN2S037PC2DT036S
1-1925219-9	6	M32139/03-F10SNS	TMN2N037PC2TM006S
2-1925219-0	6	M32139/03-F10SSS	TMN2S037PC2TM006S
2-1925219-1	18	M32139/03-F11SNS	TMN2N037PC2TM018S
2-1925219-2	18	M32139/03-F11SSS	TMN2S037PC2TM018S
2-1925219-3	36	M32139/03-F12SNS	TMN2N037PC2TM036S
2-1925219-4	36	M32139/03-F12SSS	TMN2S037PC2TM036S

2-1925219-5	6	M32139/03-F13SNS	TMN2N037PC2CX006S
2-1925219-6	6	M32139/03-F13SSS	TMN2S037PC2CX006S
2-1925219-7	18	M32139/03-F14SNS	TMN2N037PC2CX018S
2-1925219-8	18	M32139/03-F14SSS	TMN2S037PC2CX018S
2-1925219-9	36	M32139/03-F15SNS	TMN2N037PC2CX036S
3-1925219-0	36	M32139/03-F15SSS	TMN2S037PC2CX036S
3-1925219-1	6	M32139/03-F16SNS	TMN2N037PC2CM006S
3-1925219-2	6	M32139/03-F16SSS	TMN2S037PC2CM006S
3-1925219-3	18	M32139/03-F17SNS	TMN2N037PC2CM018S
3-1925219-4	18	M32139/03-F17SSS	TMN2S037PC2CM018S
3-1925219-5	36	M32139/03-F18SNS	TMN2N037PC2CM036S
3-1925219-6	36	M32139/03-F18SSS	TMN2S037PC2CM036S

**TMN X X XXX XX X XX XXX X**

**CLASS**  
M32139

**ROW**  
2 2 ROW

**FINISH**  
N ELECTROLESS NICKEL  
S STAINLESS STEEL

**POSITION**  
037 37 POSITION

**HARDWARE/THREADS**  
S 0-80 JACKSCREW, CAPTIVATED (PLUGS)

**CONDUCTOR LENGTH**  
006 SIX INCHES  
018 EIGHTEEN INCHES  
036 THIRTY SIX INCHES

**CONDUCTOR TYPE**  
DX WHITE PTFE PER NEMA HP3-ETXBBB9  
DM COLOR CODED PTFE PER MIL-STD-681, SYSTEM 1   
DT WHITE ETFE PER M22759/33-30-9  
TM COLOR CODED ETFE PER MIL-STD-681, SYSTEM 1   
CX WHITE COMPOSITE/PTFE PER DSCC 04047-30A-9  
CM COLOR CODED COMPOSITE/PTFE PER MIL-STD-681, SYSTEM 1

**CONDUCTOR SIZE/STRANDS**  
2 30AWG 7 STRAND

**CONFIGURATION**  
PC PLUG

- THE FINAL 'S' IN THE MIL-SPEC PIN SIGNIFIES THAT THE CONNECTOR IS "SPACE CLASS". OMITTING THIS CHARACTER WILL YIELD THE SAME CORRESPONDING TE AND NANONICS PART NUMBERS.
- THE COLOR CODE SHALL ONLY INCLUDE THE 10 SOLID COLORS IN REPEATING SEQUENCE.
- PRELIMINARY PARTS - NOT RELEASED FOR PRODUCTION

THIS DRAWING IS A CONTROLLED DOCUMENT.		DWN C SCHOLL 16 AUG 10	TE Connectivity	
DIMENSIONS: INCHES		CHK M STORRY 16 AUG 10		
TOLERANCES UNLESS OTHERWISE SPECIFIED:		APVD -	NAME PLUG ASSEMBLY, TWO ROW, FLYING LEADS, PER MIL-DTL-32139/3, SIZE 37	
 0 PLC ± - 1 PLC ± - 2 PLC ± - 3 PLC ± - 4 PLC ± - ANGLES ± - FINISH -		PRODUCT SPEC -	SIZE A2	
MATERIAL -		APPLICATION SPEC -	CAGE CODE 0PJN9	DRAWING NO 1925219
		WEIGHT -	RESTRICTED TO -	SCALE 6:1
		CUSTOMER DRAWING	SHEET 2 of 2	REV B