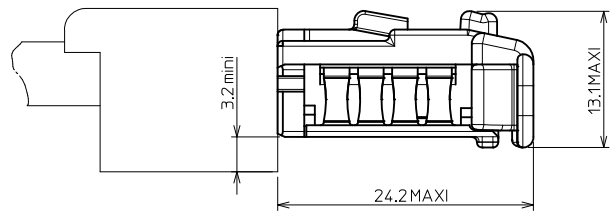
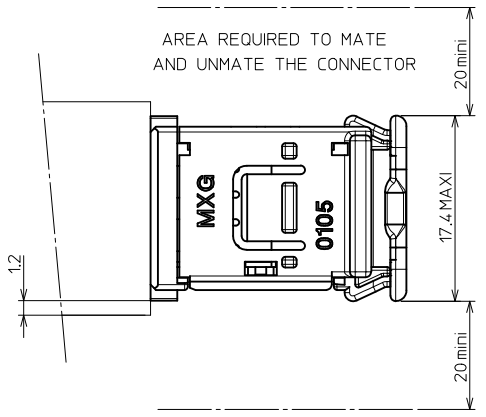


CODING 4:1

HANDLING AREA

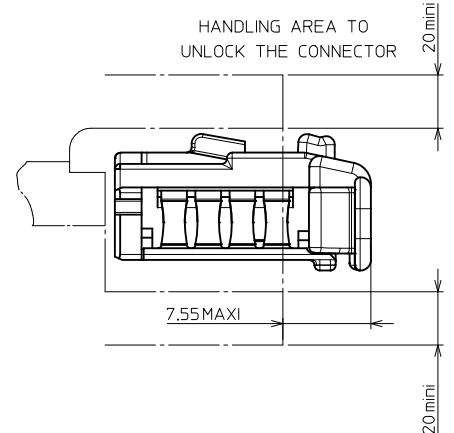


NOTE : 1 - The using conditions of the hinge are showed in the MOLEX specification n°AS-98821-001.

- 2 - Female terminal used : RCPT TERM 2.8 mm UCC2
  - Range 1 : 0988981029 (0.34 mm<sup>2</sup> to 0.68 mm<sup>2</sup>)
  - Range 2 : 0988981039 (0.93 mm<sup>2</sup> to 2.16 mm<sup>2</sup>)
  - Range 3 : 0988981049 (2.26 mm<sup>2</sup> to 4.95 mm<sup>2</sup>)

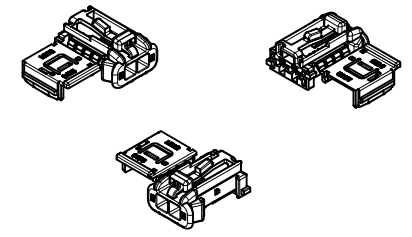
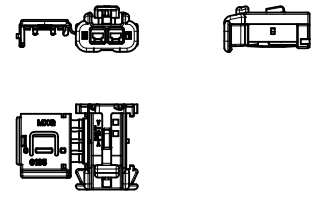
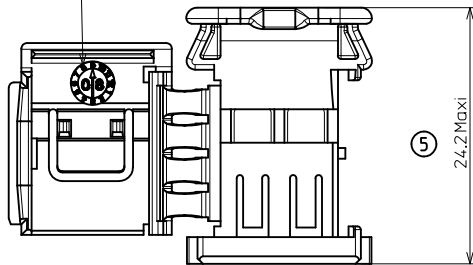
3 - Female connector will mate with male connector P/N 098824102x or header P/N 098770201x.

AREA REQUIRED WHEN THE CONNECTOR IS MATED



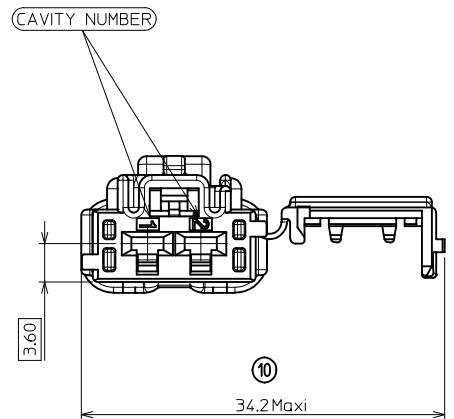
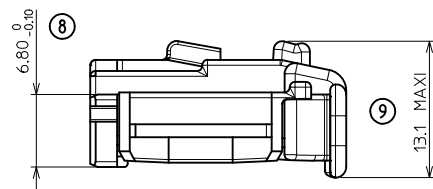
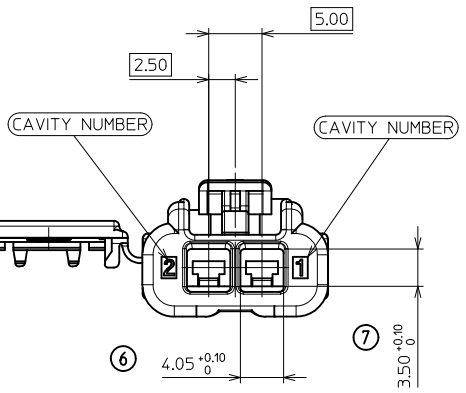
<b>FIRST RELEASE</b> EC NO: G2010-0051 DRAWN: LPOUCHAUD 2008/09/12 CHKC: JUCLOS 2010/07/07 APPR: OPLESSIS 2010/09/02	QUALITY SYMBOLS 	GENERAL TOLERANCES (UNLESS SPECIFIED)		DIMENSION STYLE <b>MM ONLY</b>	SCALE <b>3:1</b>	DESIGN UNITS <b>METRIC</b>	THIRD ANGLE PROJECTION	
		4 PLACES ± --- ± ---	mm INCH	DRAWN BY LPOUCHAUD	DATE 2008/09/12	TITLE <b>UCC RCPT HSG 2.8 2CKT</b>		
		3 PLACES ± --- ± ---		CHECKED BY YIGEL	DATE 2008/09/15	MOLEX INCORPORATED		
		2 PLACES ± 0.05 ± ---		APPROVED BY JUCLOS	DATE 2008/09/17	MATERIAL NO. <b>SEE CHART</b>	DOCUMENT NO. <b>SD-98819-001</b>	SHEET NO. <b>1 OF 2</b>
1 PLACE ± 0.1 ± ---		ANGULAR ± 1 °		THIS DRAWING CONTAINS INFORMATION THAT IS PROPRIETARY TO MOLEX INCORPORATED AND SHOULD NOT BE USED WITHOUT WRITTEN PERMISSION				
DRAFT WHERE APPLICABLE MUST REMAIN WITHIN DIMENSIONS								

DATUM MONTH/YEAR



1:1

1:1

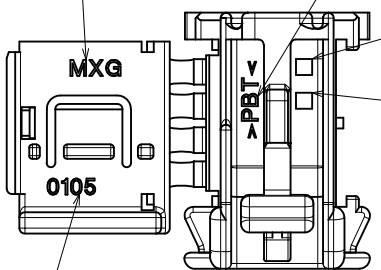


SUPPLIER ENGINEERING CONTROL ID

RAW MATERIAL

PRINT NUMBER

SUPPLIER MODIFICATION LEVEL



SUPPLIER PART NUMBER

GREEN CODING (P/N 0988191025) IS SHOWN.

UCC RCPT HSG 2.8 2CKT		0988191025	Green	POLYESTER (PBT)	2.131 g			
		0988191021	Black					
		0988191020	White					
Description		Part-Number	Color	Raw Material	Weight effective			
<b>FIRST RELEASE</b> EC NO: G2010-0051 DRAWN: LPOUCHAUD 2008/09/12 CHKD: JDUCLOS 2010/07/07 APPR: OPLESSIS 2010/09/02	QUALITY SYMBOLS  	GENERAL TOLERANCES (UNLESS SPECIFIED)		DIMENSION STYLE	SCALE	DESIGN UNITS	THIRD ANGLE PROJECTION UCC RCPT HSG 2.8 2CKT	
				MM ONLY	1:1	METRIC		
		4 PLACES	± ---	± ---	DRAWN BY	DATE		TITLE
		3 PLACES	± ---	± ---	LPOUCHAUD	2008/09/12		
		2 PLACES	± 0.05	± ---	CHECKED BY	DATE		
1 PLACE	± 0.1	± ---	YIGEL	2008/09/15				
ANGULAR ± 1 °		APPROVED BY		DATE				
DRAFT WHERE APPLICABLE MUST REMAIN WITHIN DIMENSIONS		JDUCLOS		2008/09/17				
		MATERIAL NO.		DOCUMENT NO.				
		SEE CHART		SD-98819-001				
		SIZE A 2		THIS DRAWING CONTAINS INFORMATION THAT IS PROPRIETARY TO MOLEX INCORPORATED AND SHOULD NOT BE USED WITHOUT WRITTEN PERMISSION				